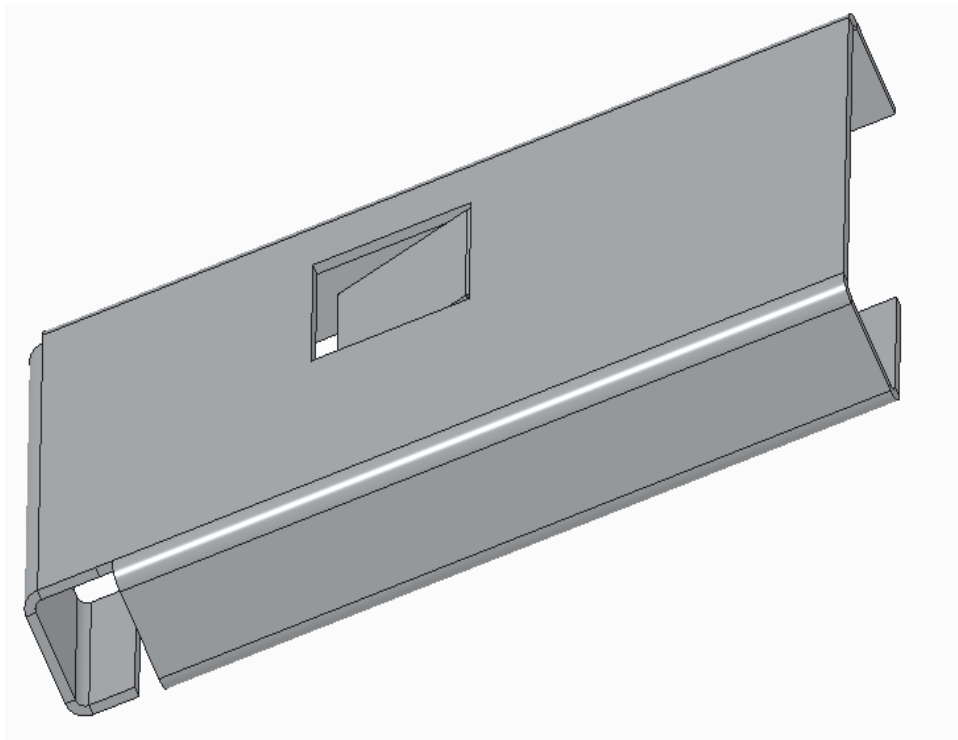


GE  
Industrial Solutions

# SPRING CLIPS Installation

*AKD-6 EntelliGuard\* R RETROFILL*

Installation Guide



imagination at work

## Overview

The original EntelliGuard R Retrofill circuit breakers for GE AKD-6 switchgear were equipped with a pullout tab on the left side of the Racking dashboard which activated levers on both sides of the breaker to lift & defeat the rail latch in the AKD-6 compartment. These breakers were not capable of being locked OFF/OPEN using the original AKD-6 compartment mounted Kirk key interlock. The latest models are now capable of working with the original Kirk Key interlock scheme. On this new model 2 design, the pull-out tab and dual side levers have been removed. Instead, the rail latches are permanently defeated in the AKD-6 compartment by installation of two spring clips as shown below. The pull-out tab slot is blocked by steel in the racking dashboard. A left-side Kirk Key interlock pin & lever are found in a similar location as on the old legacy AKR-#A-30/50/T50 breaker.

**Install the (2) spring clips as shown on this instruction sheet.** Two breaker loading tools are given with each breaker for use in the new breaker loading process. These loading tools are shipped along with the breaker. Please refer to **DEH-41548 EntelliGuard R Circuit Breaker Retrofill AKD-6 Installation Manual** for detailed information on breaker installation procedure using loading tools (2200045171P) .

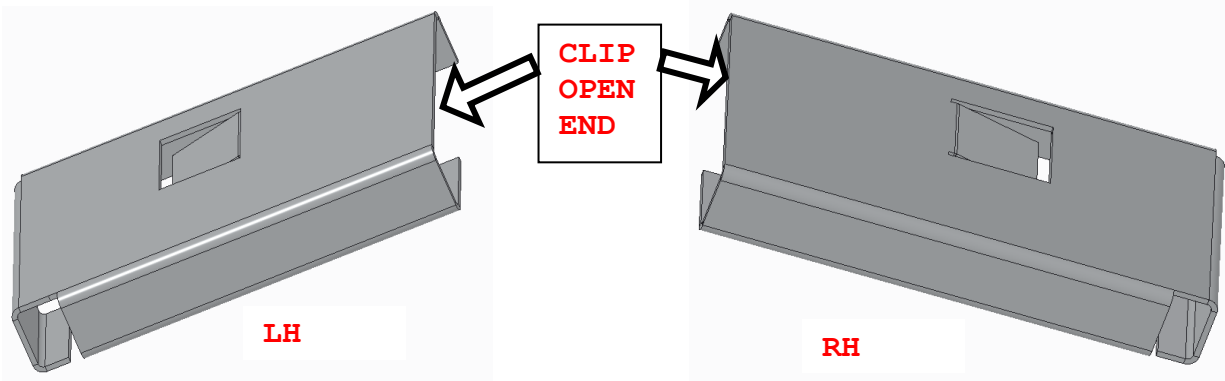
## ***Installing the Model 2 EntelliGuard R Circuit Breaker into AKD-6 Switchgear***

1. Prepare compartment by installing (2) spring clips.
2. Prepare breaker: Rotate racking shaft CCW until racking cams are in the fully Disconnected position.
3. Open door & Pull out the two rails to their full extension.
4. Verify inner moveable housing is also fully outward about 4.5".
5. Install stop tools to each side of inner housing and push inner housing in until further motion is stopped by the tools.
6. Install breaker into rail slots
7. Push breaker & two slide rails fully inward and toggle the lock lever on each rail to the vertical locked position.
8. Remove & store the two tools using the key slots on the tool and a screw & tube spacer inboard of each breaker side frame.
9. Push the breaker & inner housing in until the racking cams engage the racking pins in the compartment.
10. Close & latch the compartment door; then rack in breaker.

## ***Installation of Spring Clips for Model 2 (800 & 1600A) and all 2000A EntelliGuard R Retrofill Circuit Breakers into AKD-6 Switchgear.***

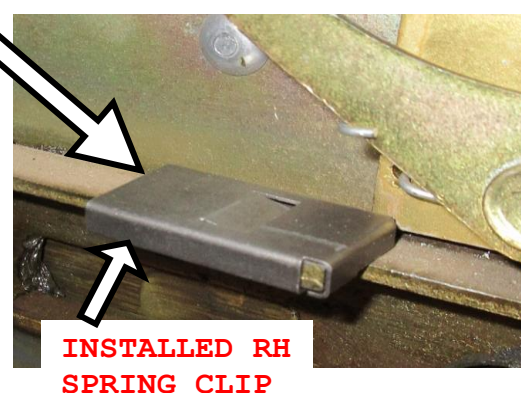
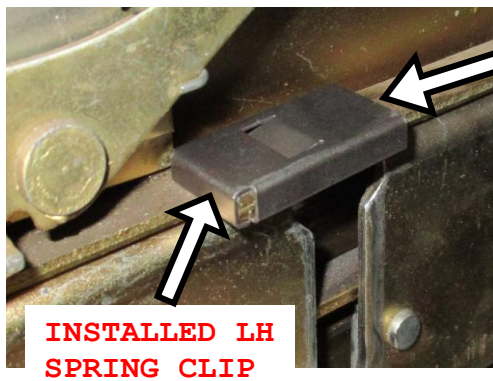
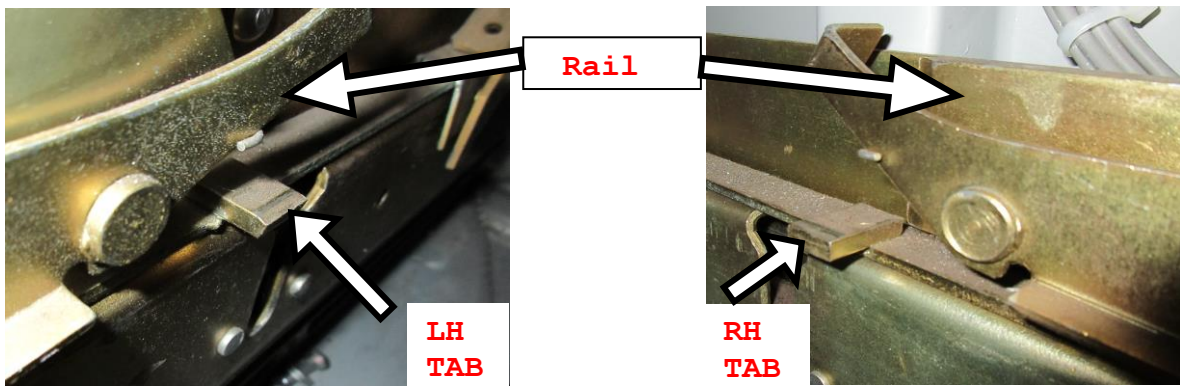
1. Spring clips should be installed before installing a breaker in the AKD-6 compartment. Detailed instructions on AKD-6 retrofill breaker installation are provided in DEH41548 – AKD-6 Instruction Manual.
2. Install Spring Clip, RH (2200123529P) on right hand side stationary rail tab & Spring Clip, LH (2200123530P) on left hand side stationary rail tab by sliding the clip with its open end facing the tabs. Slide until a 'click' is heard. Once installed, clip cannot be removed. These clips permanently defeat the rail latch. Fig. 1 shows tabs before and after installing a spring clip.

Fig. 1 . AKD-6 Stationary Rail Tabs for Mounting Spring Clips



LH side Stationary Rail

RH side Stationary Rail



**GE**  
**Industrial Solutions**  
41 Woodford Avenue  
Plainville, CT 06062  
[www.geindustrial.com](http://www.geindustrial.com)

© 2015 General Electric Company



\*Trademark of the General Electric Company and/or its subsidiaries.  
DEH-41551 (07/15)