





ANTI-BOUNCE SYSTEM:

Anti-bounce system is supplied with the Entelliguard breaker. In cases where it needs the field replacement, they are supplied as spares.

**EntelliGuard® G Circuit Breaker
Accessories
Anti-Bounce system Assembly**

 **WARNING:** Before installing any accessories, turn the breaker OFF, disconnect it from all voltage sources, and discharge the closing springs.

 **AVERTISSEMENT:** Avant d'installer tout accessoire, mettre le disjoncteur en position OFF, le déconnecter de toute tension d'alimentation, et décharger les ressorts d'armement

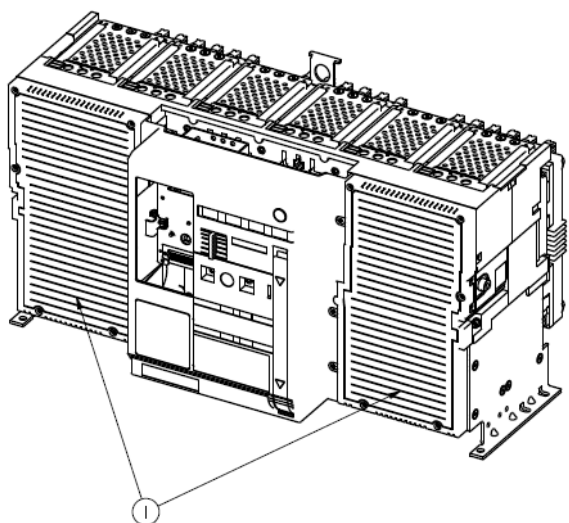


Figure A

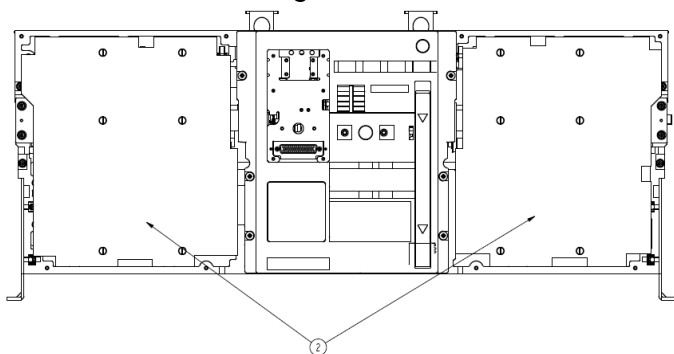


Figure B

Anti-Bounce system assembly removal & inspection:

- 1 Turn the breaker off and discharge the closing springs by depressing the OFF and ON buttons in the sequence OFF-ON-OFF. Verify that the breaker OFF-ON indicator shows OFF on a green background and that the charge indicator shows DISCHARGE on a white background. If installing in a draw-out type breaker remove breaker from adaptor (cassette) before continuing.
- 2 The breaker should be safely isolated and fully removed from the cassette (for drawout breaker)
- 3 Remove ITEM NO 1 by loosening five M4 screws as shown in figure A
- 4 Remove ITEM No 2 (applicable to 4 pole only) by removing six M6 CSK fixing screws

Envelope Size	Catalog #
Envelope 3-200kA	GAARK

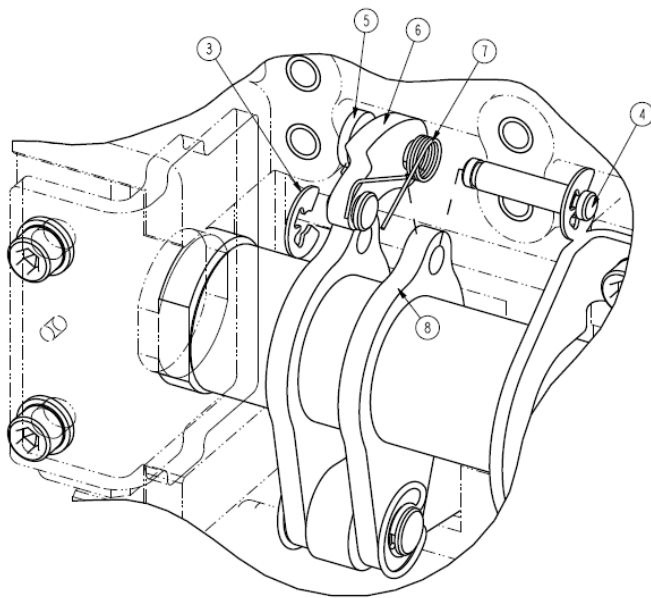


Figure C

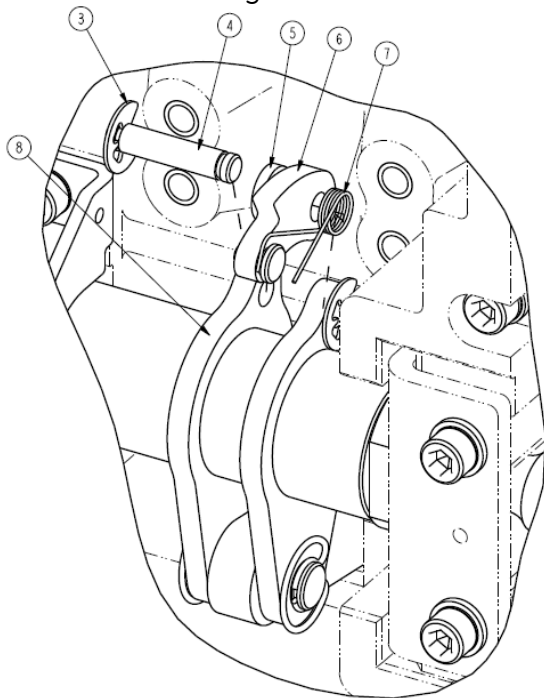


Figure D

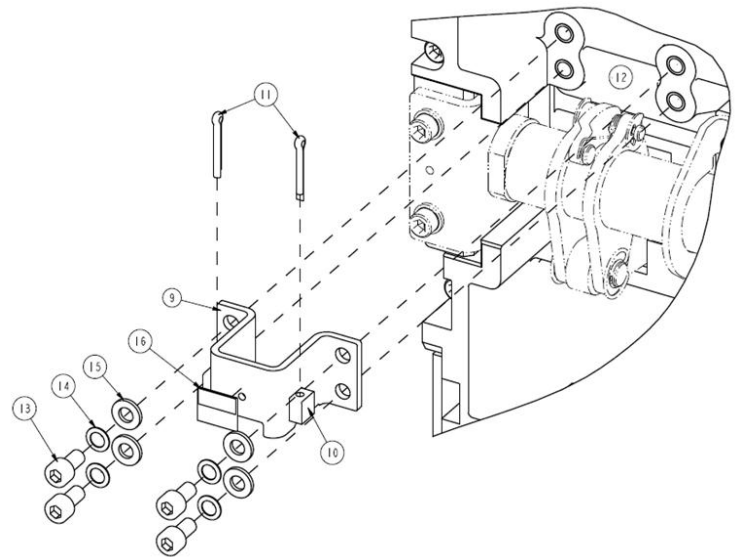


Figure E

- 5 FOR LEFT SIDE : Assemble ITEM No 3 to one side of ITEM NO 4 and insert to ITEM NO 8 as show in figure C
- 6 Assemble ITEM NO 7,6,5 in sequence with ITEM NO 4 and lock with ITEM NO 3 as shown in figure C
- 7 FOR Right SIDE : Assemble ITEM No 3 to one side of ITEM NO 4 and insert to ITEM NO 8 as show in figure D
- 8 Assemble ITEM NO 5,6,7 in sequence with ITEM NO 4 and lock with ITEM NO 3 as shown in figure D
- 9 Assemble ITEM No 10 to ITEM NO 9 with ITEM No 11 as shown in figure E
- 10 Assemble ITEM No 9 to ITEM NO 12 using ITEM13,14,15 as show in figure D with a tightening torque of 6-8Nm.
- 11 Fix ITEM NO 16 to ITEM NO9 as shown in figure E
- 12 Assemble ITEM NO 2 and ITEM NO 1 with screws

These instructions do not purport to cover all details or variations in equipment nor, to provide contingency to be met in connection with installation, operation, or maintenance. Should further information be desired, or should particular problems arise which are not covered sufficiently for the purchaser's purposes, the matter should be referred to GE.

GE
41 Woodford Ave, Plainville, CT 06062
www.geelectrical.com

© 2009 General Electric Company



DEH-41667 R1 (11/13)