





GAS CHANNEL:

Gas channels are supplied with the Envelope 3-200kA cassette. In cases where it needs the field replacement, they are supplied as spares.

**EntelliGuard® G Circuit Breaker Accessories
Gas Channel Assembly**

 **WARNING:** Before installing any accessories, turn the breaker OFF, disconnect it from all voltage sources, and discharge the closing springs.

 **AVERTISSEMENT:** Avant d'installer tout accessoire, mettre le disjoncteur en position OFF, le déconnecter de toute tension d'alimentation, et décharger les ressorts d'armement

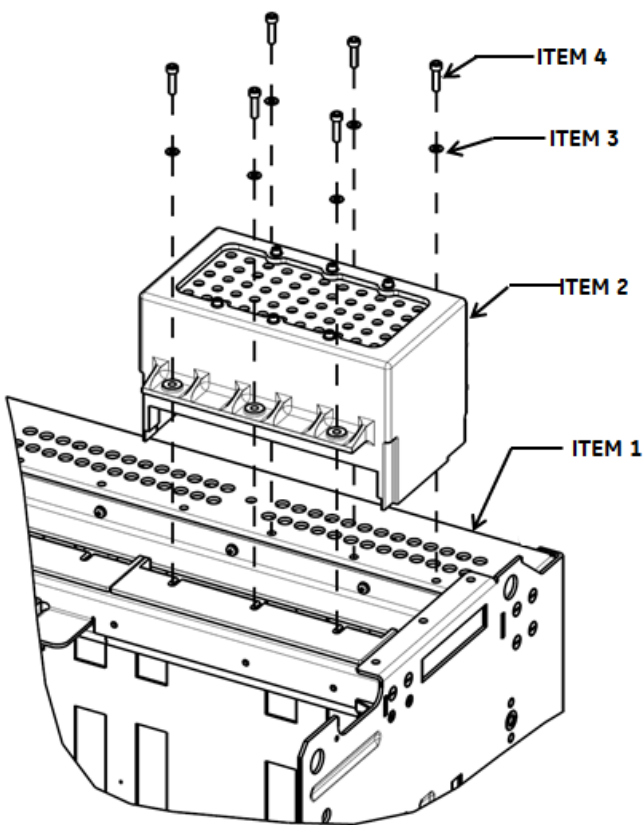


Figure A

ON buttons in the sequence OFF-ON-OFF. Verify that the breaker OFF-ON indicator shows OFF on a green background and that the charge indicator shows DISCHARGE on a white background. If installing in a draw-out type breaker remove breaker from adaptor (cassette) before continuing.

- 2 The breaker should be safely isolated and fully removed from the cassette (for drawout breaker)
- 3 Install/Remove the gas channel assembly by tightening/loosening six M5 mounting screws to torque of 5-6Nm as shown in figure A

Envelope Size	Catalog #
Envelope 3-200kA	GAGCK

Gas channel assembly removal & inspection:

- 1 Turn the breaker off and discharge the closing springs by depressing the OFF and

These instructions do not purport to cover all details or variations in equipment nor, to provide contingency to be met in connection with installation, operation, or maintenance. Should further information be desired, or should particular problems arise which are not covered sufficiently for the purchaser's purposes, the matter should be referred to GE.

GE
41 Woodford Ave, Plainville, CT 06062
www.geelectrical.com

© 2009 General Electric Company

