



2/4 Circuits Load Center Service Barrier Installation Kit

Introduction

This document details the installation of the Service Barrier Kit for the 2/4 Circuits Load Centers. These barriers are required when the 2/4 Circuits Load Center breaker is used as a service entrance with a single disconnect device.

Barrier installation is required on the line side of the main device prior to energizing. These barriers are required to ensure isolation from live parts on the line side when the breaker is turned off.

If a Lug Barrier is removed from the load center for maintenance while the incoming line is shut off, it must be reinstalled prior to reenergizing to maintain isolation.

Contents per Installation

TLSB - 2/4 Circuits Service Barrier kit

Description	Qty.
2/4 CKTs LC Lug Barrier	1

NOTICE: These instructions do not purport to cover all details or variations in equipment or to provide for every possible contingency to be met in connection with the installation, operation or maintenance. Should further information be desired or should particular problems arise which are not covered sufficiently for the purposes, the matter should be referred to the General Electric Company. These instructions are intended for use by qualified personnel only.

Hazard Classifications

The following important highlighted information appears throughout this document to warn of potential hazards or to call attention to information that clarifies a procedure.

Carefully read all instructions and become familiar with the devices before trying to install, operate, service, or maintain this equipment.

DANGER: Indicates a hazardous situation which, if not avoided, will result in death or serious injury.
WARNING: Indicates a hazardous situation which, if not avoided, will result in death or serious injury.
CAUTION: Indicates that if the hazard is not avoided could result in minor or moderate injury.
NOTICE: Is used to notify of practices not related to personal injury.
DANGER: Electrical arc flash hazard. Personal protection equipment required. Turn off power to the equipment before working inside.

Installation

A 2/4 Circuits Service Entrance Panel with a single service disconnect device will require one lug.

No tools are required for the installation of a Lug Barrier. For the removal of a Lug Barrier, hold one the sides of the barrier and pull the barrier up away from the base. A Lug Barrier can be installed and removed before or after the wire installation is complete.

Figure 1 depicts the Lug Barrier included in the kit.

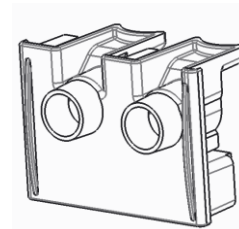


Figure 1: Lug Barrier

Steps

Align the Lug Barrier with the line side lug of the Load Center Base, as shown in Figure 2.

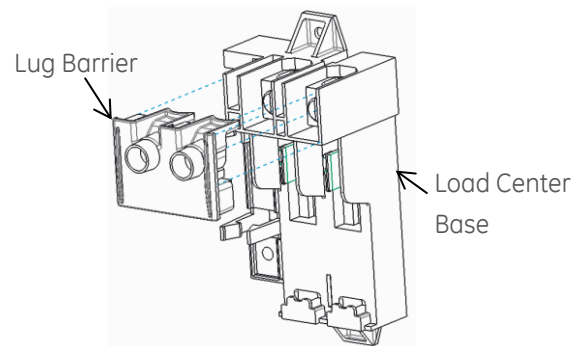


Figure 2: Lug Barrier Installation

Install the barrier by holding on sides and pushing the barrier down inside the lug opening until it is fully seated. Ensure the Lug Barrier is in position as shown in Figure 3.

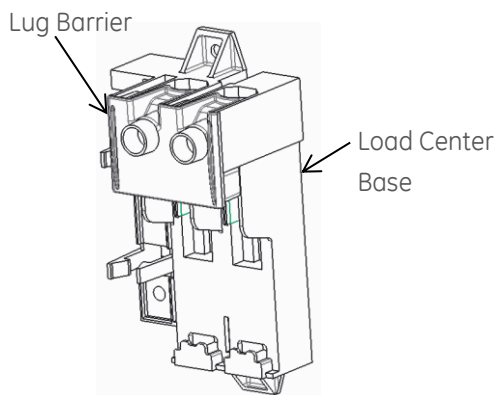


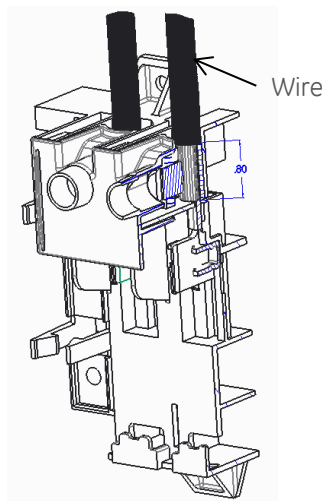
Figure 3: Fully Assembled Lug Barrier

⚠ WARNING: Lug service barriers must be correctly installed on the line side of a main device in GE load centers, MSLC, and lighting panels to ensure isolation from live parts.

⚠ WARNING: Installing an incorrect size wire than the specified sizes for each circuit breaker frame will negate the barrier ability to protect personnel from exposed live components.

The wires must be stripped to the correct length to maintain isolation. Strip the wire to a maximum of 0.80 inches.

After stripping wires to the required length, the wires can be installed as shown in Figure 4. The Lug Barrier must be re-installed to maintain electrical isolation from accidental contact. Torque wires to lug specifications on the load center.



Maximum Strip Length Measurement

Figure 4: Maximum Wire Strip Length

Table 1 shows the allowable wire sizes for hole on the lug.

Location	Conductors
Lug Hole	14 AWG to 3 AWG Cu/Al

Table 1: Service Barrier Wire Range

Imagination at work

GE Configured Solutions
 41 Woodford Ave.
 Plainville, CT 06062
www.geindustrial.com

To contact GE Industrial Solutions post sales service team, call 888-437-3765



*INDICATES A TRADEMARK OF THE GENERAL ELECTRIC COMPANY AND/OR ITS SUBSIDIARIES.

INFORMATION PROVIDED IS SUBJECT TO CHANGE WITHOUT NOTICE. PLEASE VERIFY ALL DETAILS WITH GE. ALL VALUES ARE DESIGN OR TYPICAL WHEN MEASURED UNDER LABORATORY CONDITIONS, AND GE MAKES NO WARRANTY OR GUARANTEE, EXPRESS OR IMPLIED, THAT SUCH PERFORMANCE WILL BE OBTAINED UNDER END-USE CONDITIONS.