



Meter Socket Load Centers

MSLC Service Barrier 2P Module Installation Kit

Introduction

This document details the installation of the Service Barrier Kit for the MSLC with 2P main breaker. These barriers are required when the 2P KR breaker is used as a single service entrance main device inside GE MSLC. Service barrier kit TSMBSB or TSMLS B are required for MLSB2P assembly

Panel boards may be provided with service barriers factory installed. Barrier installation is required on the line side of the main device prior to energizing. These barriers are required to ensure isolation from live parts on the line side when the main breaker is turned off.

If a Service barrier is removed from a circuit breaker for maintenance while the incoming line is shut off, it must be reinstalled prior to reenergizing to maintain isolation.

Contents per Installation

TSMLS B2P- MSLC Service Barrier 2P Module

Description	Qty.
Service Barrier 2P Module	2

NOTICE: These instructions do not purport to cover all details or variations in equipment or to provide for every possible contingency to be met in connection with the installation, operation or maintenance. Should further information be desired or should particular problems arise which are not covered sufficiently for the purposes, the matter should be referred to the General Electric Company. These instructions are intended for use by qualified personnel only.

Hazard Classifications

The following important highlighted information appears throughout this document to warn of potential hazards or to call attention to information that clarifies a procedure.

Carefully read all instructions and become familiar with the devices before trying to install, operate, service or maintain this equipment.

DANGER: Indicates a hazardous situation which, if not avoided, will result in death or serious injury.

WARNING: Indicates a hazardous situation which, if not avoided, will result in death or serious injury.

CAUTION: Indicates that if the hazard is not avoided could result in minor or moderate injury.

NOTICE: Is used to notify of practices not related to personal injury.

DANGER: Electrical arc flash hazard. Personal protection equipment required. Turn off power to the equipment before working inside.

Installation

A service entrance panel with a KR 2 Pole breaker as a main circuit breaker will require a service barrier 2P module in addition to a Service barrier kit TSMBSB or TSMLS B

No tools are required for the installation of service barriers 2P module. For the removal of bus service barrier 2P module press the tab on top and pull away from TSMBSB or TSMLS B service Barrier. Service barrier can be installed and removed before or after the wire installation is complete.

Figure 1 depicts the Service Barrier 2P Module included in the kit.

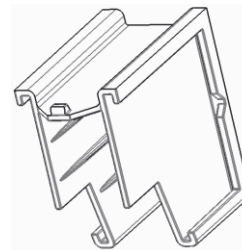


Figure 1: Service Barrier 2P Module

Steps

Align the service barrier 2P with the TSMBSB or TSMLS B Service Barrier as shown in Figure 2.

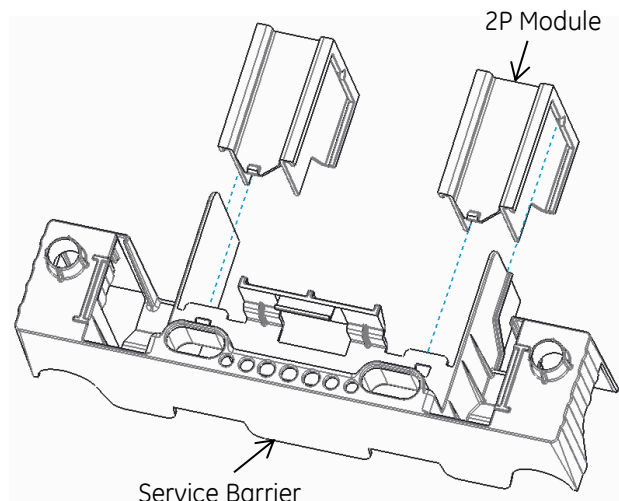


Figure 2: Service Barrier 2P Module Installation

Install the barrier by holding on the top and sliding the barrier down to the Service Barrier until it gets snapped as shown in Figure 3.

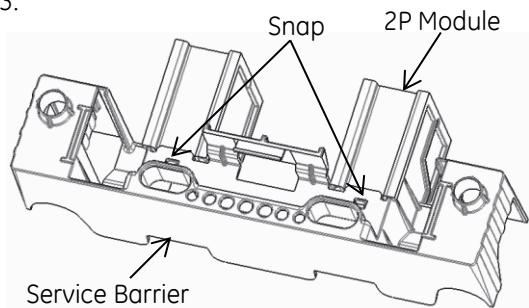


Figure 3: Service Barrier 2P Module Installed

Follow Installation Instructions DEH0004300/DEH0004880 to install service barrier to breaker base. Ensure the service barrier is fully installed and in position as shown in Figure 4.

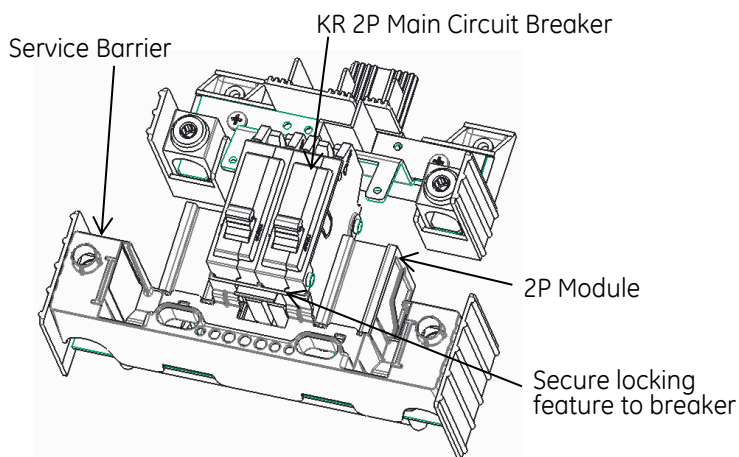


Figure 4: Fully Assembled Service Barrier

⚠ WARNING: Service barriers must be correctly installed on the line side of a main device in GE MSLC to ensure isolation from live parts.

⚠ WARNING: Installing an incorrect size wire than the specified sizes for each circuit breaker frame will negate the barrier ability to protect personnel from exposed live components.

For wire range and screw torque value, please refer to rating label when wire installation is required.

The wires must be stripped to the correct length to maintain isolation. Strip the wire to a maximum of 1.00 in.

After stripping wires to the required length, the wires can be installed as normal. The service barrier must be installed to maintain electrical isolation from accidental contact.

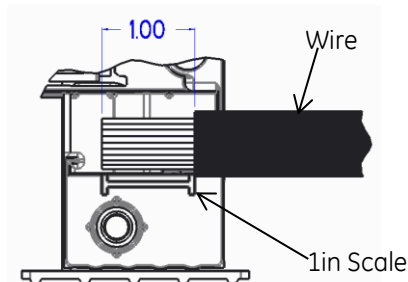


Figure 5: Maximum Wire Strip Length

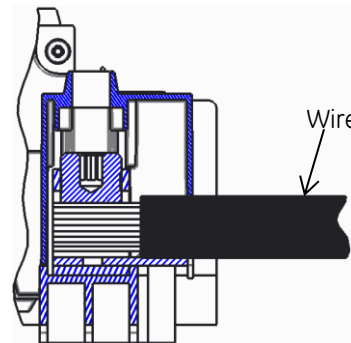


Figure 6: Wire Assembled

Imagination at work

GE Configured Solutions
 41 Woodford Ave.
 Plainville, CT 06062
 www.geindustrial.com

To contact GE Industrial Solutions post sales service team, call 888-437-3765

*INDICATES A TRADEMARK OF THE GENERAL ELECTRIC COMPANY AND/OR ITS SUBSIDIARIES.

INFORMATION PROVIDED IS SUBJECT TO CHANGE WITHOUT NOTICE. PLEASE VERIFY ALL DETAILS WITH GE. ALL VALUES ARE DESIGN OR TYPICAL WHEN MEASURED UNDER LABORATORY CONDITIONS, AND GE MAKES NO WARRANTY OR GUARANTEE, EXPRESS OR IMPLIED, THAT SUCH PERFORMANCE WILL BE OBTAINED UNDER END-USE CONDITIONS.

