



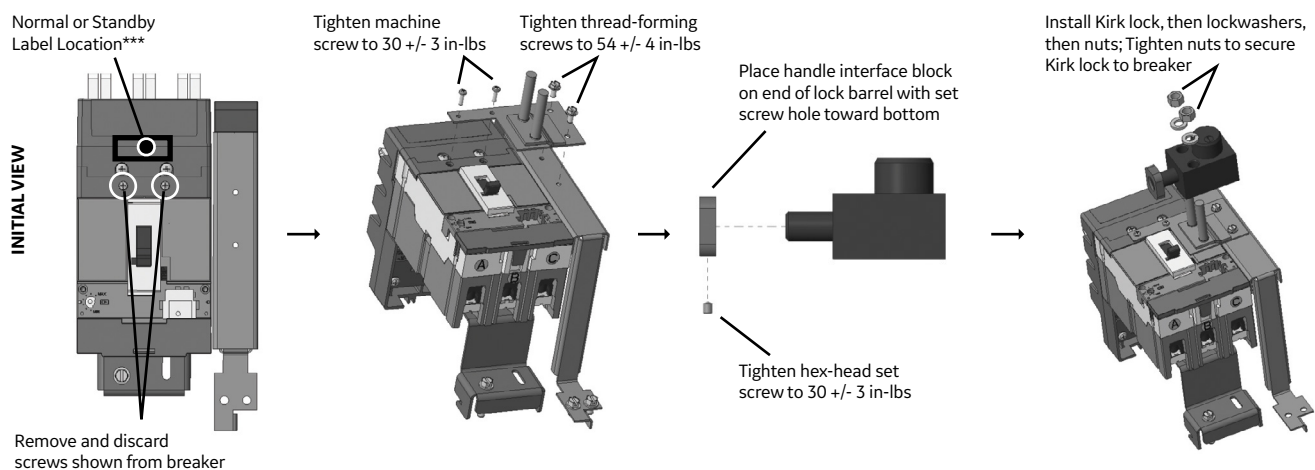
DEH-0006887 Installation Guide

EntellEon^{*} Kirk Lock

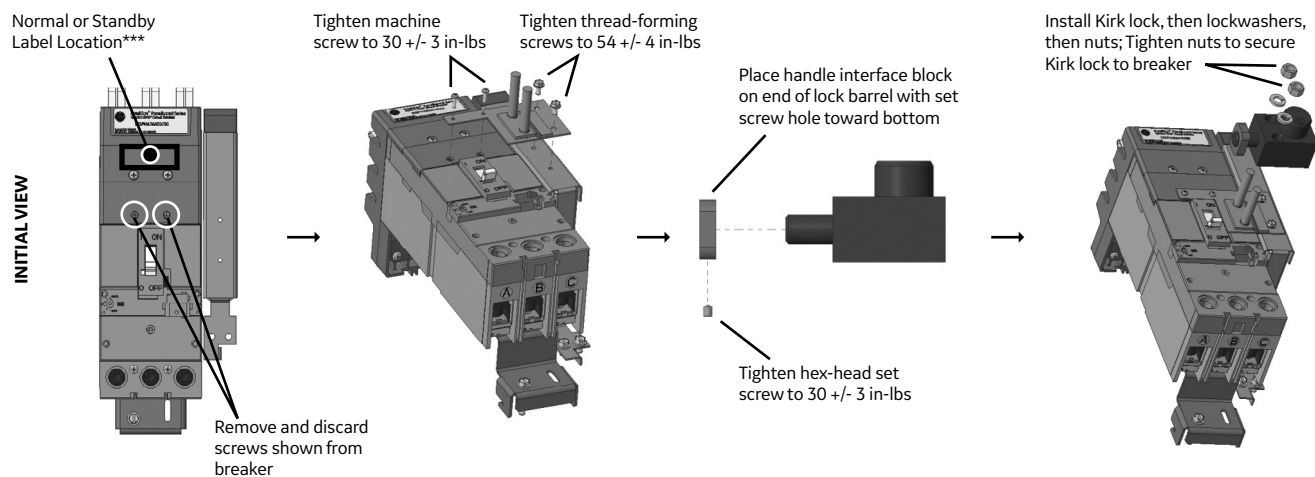
WARNING

Danger of electrical shock or injury. Turn OFF power ahead of the panelboard or switchboard before working inside the equipment or removing any component. Equipment is to be installed and maintained by properly trained and qualified personnel only.

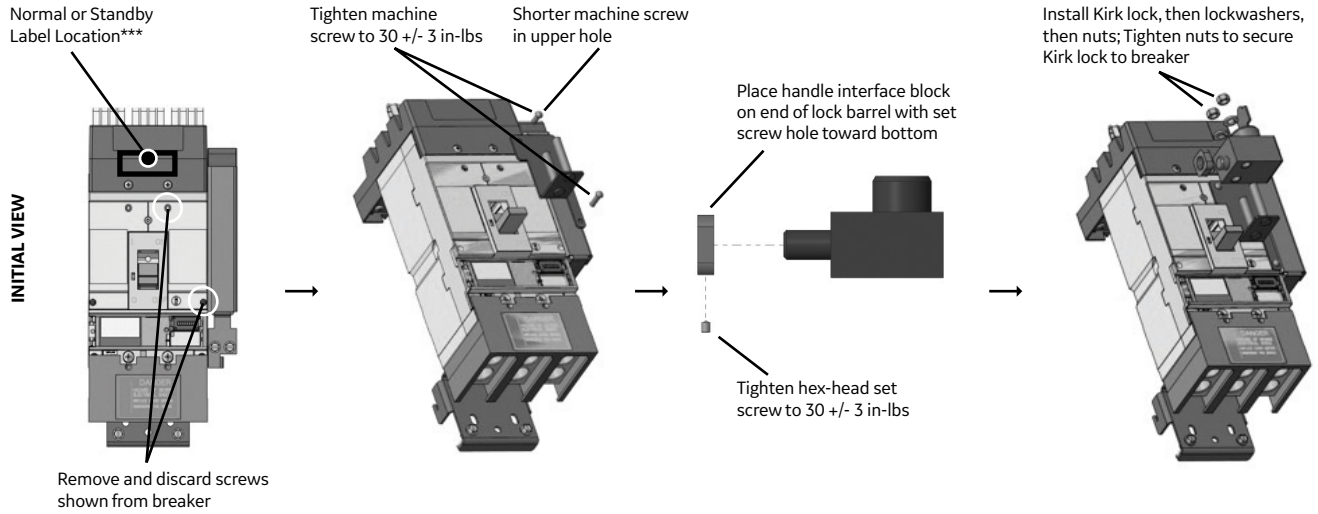
SE Circuit Breaker Frame Installation



SF Circuit Breaker Frame Installation

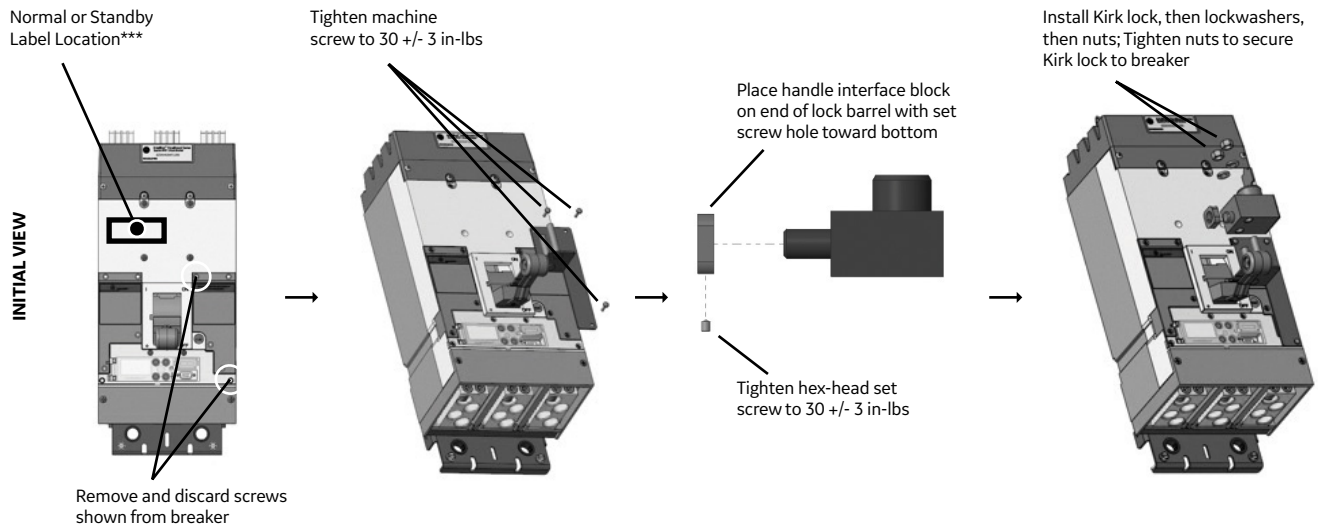


Horizontal SG Circuit Breaker Frame Installation

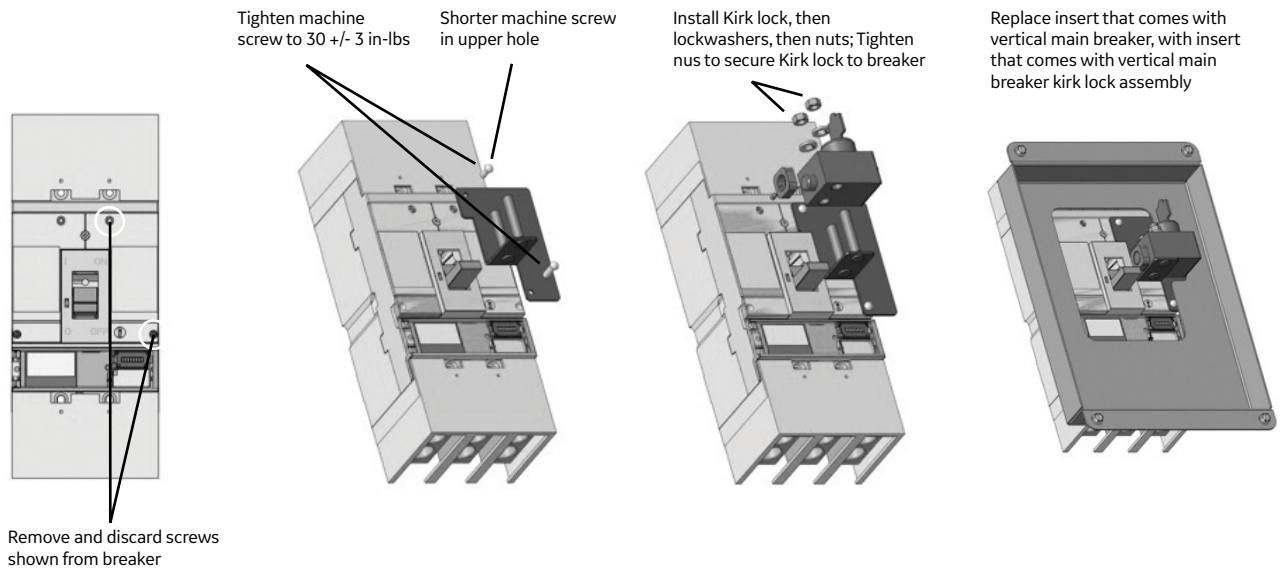


NOTE: Assembly instructions intended for horizontal assembly only.

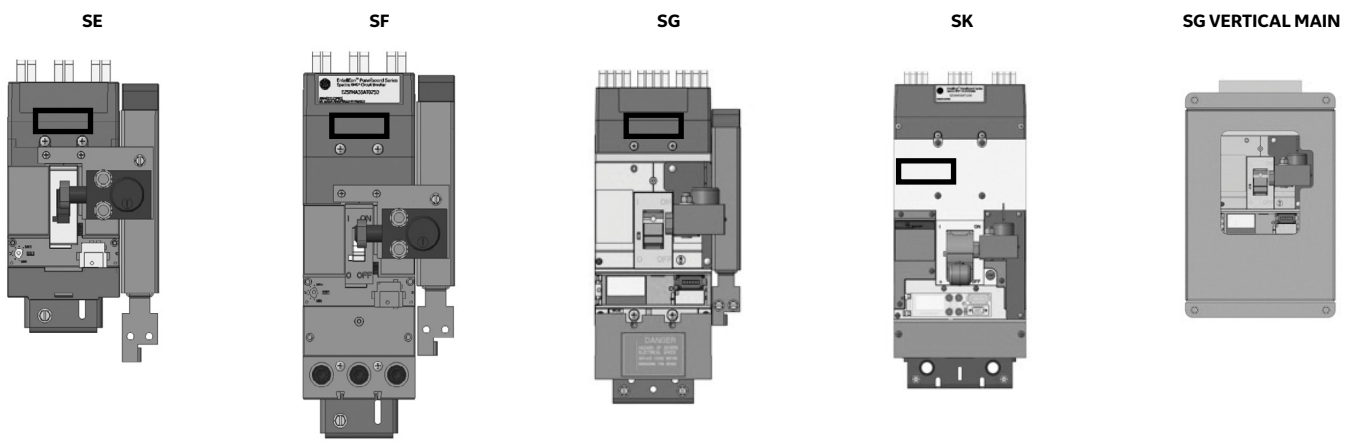
SK Circuit Breaker Frame Installation



Vertical Mounted SG Main Circuit Breaker w/ Kirk Locks

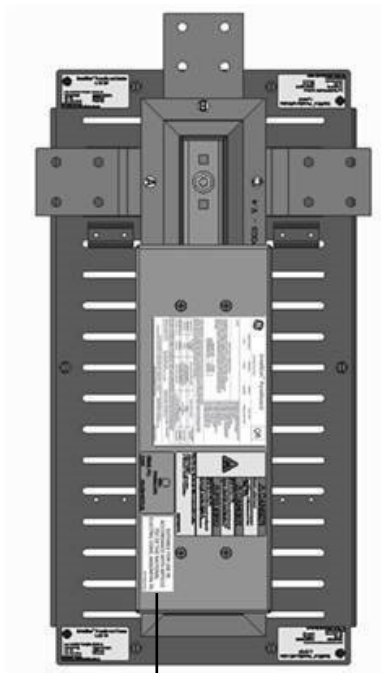


Final Assembly Views



- * NOTE: User must ensure device cannot turn on when Kirk lock is locked with key removed before installing in panelboard.
- ** NOTE: Kirk lock must be installed before disconnect is installed in panelboard.
- *** NOTE: Normal or Standby Label must be installed at indicated locations prior to energizing if Kirk lock is intended for use as an interlock.

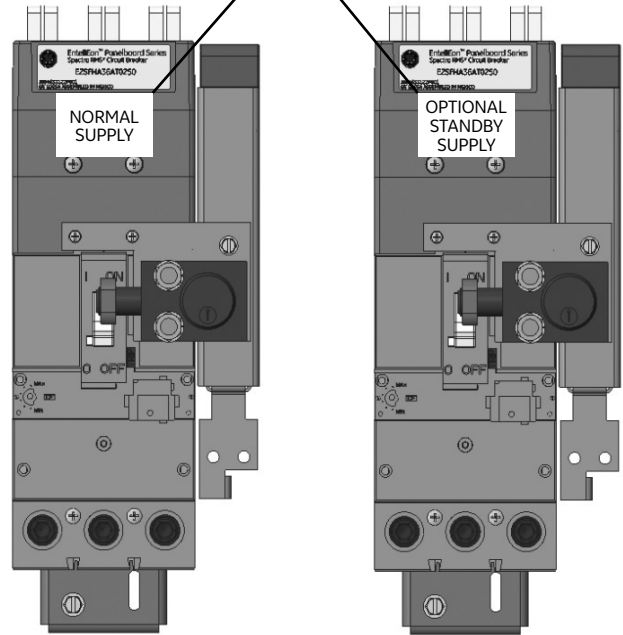
Labels



702 suitable labels must be installed on the bus stack prior to installation of Kirk locks

SUITABLE FOR USE IN ACCORDANCE WITH ARTICLE 702 OF THE NATIONAL ELECTRIC CODE, ANSI/NFPA 70.

Normal or Standby Label Location*



* NOTE: Before Energizing Normal, Standby, and 702, suitable labels must be installed for proper installation if Kirk lock intended for use as an interlock.

*Registered trademark of the General Electric Company.
The GE brand, logo, and lamination are trademarks of the General Electric Company.
© 2018 General Electric Company. Information provided is subject to change without notice.
All values are design or typical values when measured under laboratory conditions.
DEH-0006887, Rev. 05/2018