



WavePro™ Power Circuit Breaker Accessories

Push Button Covers

Introduction

Push button covers can be installed over the OPEN and CLOSE buttons of 800–5000 A WavePro circuit breakers. The kit, catalog number WPPBCVRKIT2, consists of two cover assemblies and mounting screws, as listed in Table 1. Each cover has a Lexan® shield that can be sealed to prevent accidental or unauthorized closing or opening of the circuit breaker with the local push buttons.

Operation

Close the cover and put a sealing wire or wire tie in the slot.

Installation

Use the following procedure to install the push button covers on a WavePro breaker escutcheon, as illustrated in Figure 1. Numbers in brackets in the text and figure refer to the item numbers of the parts in Table 1.

1. Each shield has a drill point near its center. If desired, drill a small (approximately 1/8-inch diameter) hole through the shield to create a limited-access push button cover.
2. Align the push button covers [1] over the OPEN and CLOSE buttons so that the shield of each cover opens upward (hinge at the top).
3. If there are no holes present in the escutcheon for the mounting screws, drill through the holes in the covers with a #35, #36, or 7/64-inch drill and through the escutcheon. Holes are spaced 1.296 inches apart, centered vertically.
4. Secure each push button cover [1] to the escutcheon with two thread-cutting screws [2].
5. Place a sealing wire or wire tie in the slot of each shield.

Item	Part No.	Description	Qty.
1	10054808G2	Push Button Cover	2
2	N190P1306B6	Screw, #6-20 x 3/8	4

Table 1. Parts included in the push button cover kit, WPPBCVRKIT2.

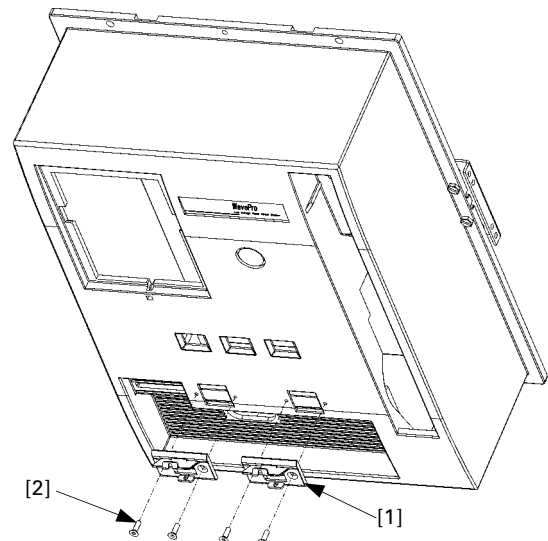


Figure 1. Installing push button covers on a WavePro breaker escutcheon.

These instructions do not cover all details or variations in equipment nor do they provide for every possible contingency that may be met in connection with installation, operation, or maintenance. Should further information be desired or should particular problems arise that are not covered sufficiently for the purchaser's purposes, the matter should be referred to the GE Company.



GE Industrial Systems

General Electric Company
510 East Agency Road, West Burlington, IA 52655