



DEH41468

Neutral Kit

TNI64C



Hazards of electrical shock or burn! Turn off power before working inside this equipment.

Use with:

TH3364C and TH3364RC.

Description:

This kit is CSA listed for use as an insulated groundable neutral and may be installed in 200Amp type TH3364C and TH3364RC safety switches. Each kit contains the following parts (see Figures 1 and 2):

- Neutral block and mounting hardware
- Neutral/Ground lug
- Bonding screw

Wire Range

Neutral / Ground Lug	
Large hole	#1 – 300 MCM Cu/Al
Small hole	#10 – 2/0 Cu/Al

Installation

Step 1. Refer to switch rating label for proper mounting location of neutral kit.

Step 2. Mount neutral block to enclosure as shown in Figure 2. Torque fasteners to 20-24 in-lbs.

Step 3. Install bonding screw as shown in Figure 1 (if required). Torque fastener to 17-20 in-lbs.

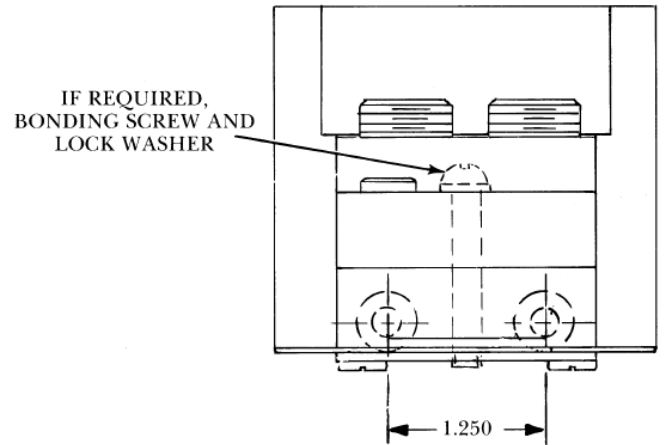


Figure 1 - Neutral

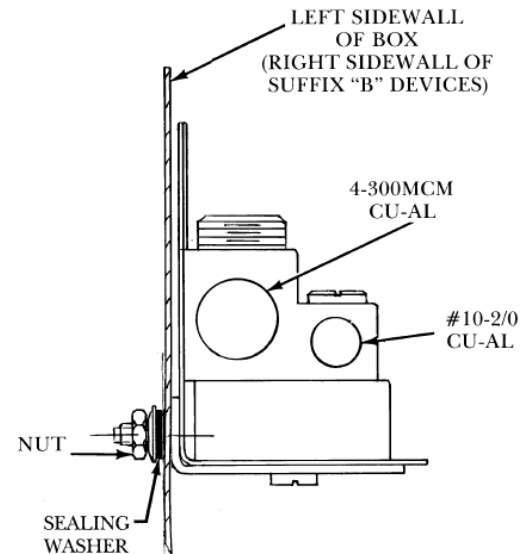


Figure 2 – Typical Installation of TNI64C Neutral Kit