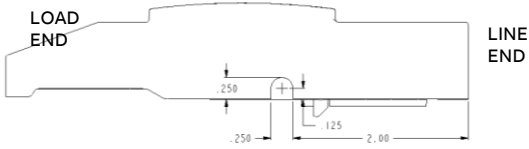




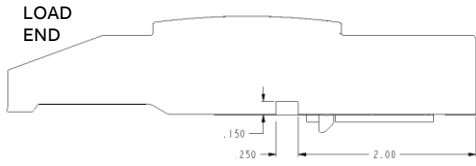
**STEP 3**  
**Cover Modification for Wire**  
**Exiting**

Perform cover modification as shown in Figure 4. for right pole mounting. Cut notch in right side for right pole mounting. Remove all debris.



CUT NOTCH IN RIGHT SIDE

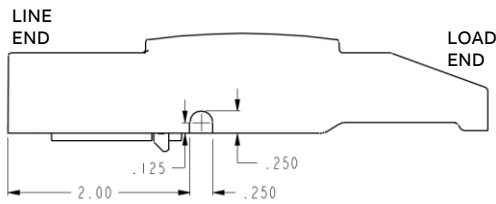
Figure 4a.



CUT NOTCH IN RIGHT SIDE

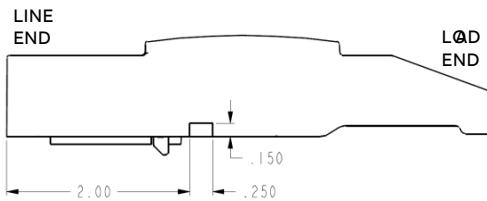
Figure 4b.

Perform cover modification as shown in Figure 5. for left pole mounting. Cut notch in left side for left pole mounting. Remove all debris.



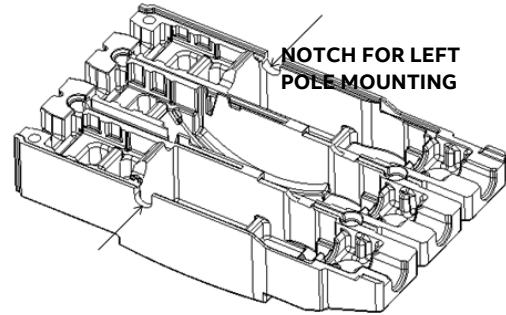
CUT NOTCH IN LEFT SIDE

(OR)



CUT NOTCH IN LEFT SIDE

Figure 5.

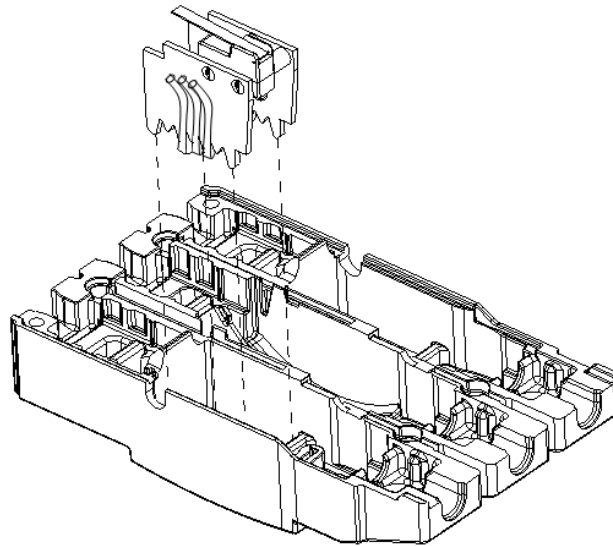


NOTCH FOR RIGHT POLE MOUNTING

Figure 6.

**STEP 4**  
**Installation**

Drop down the auxiliary Switch Device in the cover right pole pocket as shown fig. 7 for right pole mounting and in the left pole pocket as shown in fig. 8 for left pole mounting.



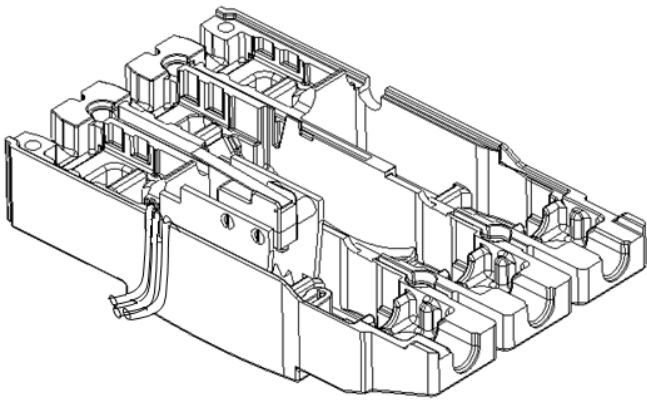


Figure 7. Auxiliary Switch, Right Pole Mounting

### STEP 5 Reinstalling Cover and Aux Switch Asm in the Base

Reinstall plastic breaker handle and shutter. Position the wires to match the wire exiting hole in the cover. Make sure no wires are pinched in the routing. Wires must pass through the cover notch as shown in Figure 9 & 10. Make sure the cover is properly seated and tighten the four inner cover mounting screws to torque value of 12-15 Lb-in and two outer mounting screws to 18-22 Lb-in.

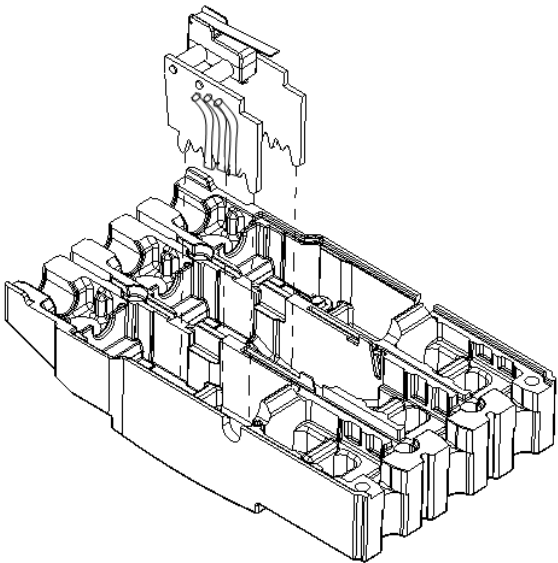


Figure 8. Auxiliary Switch, Left Pole Mounting

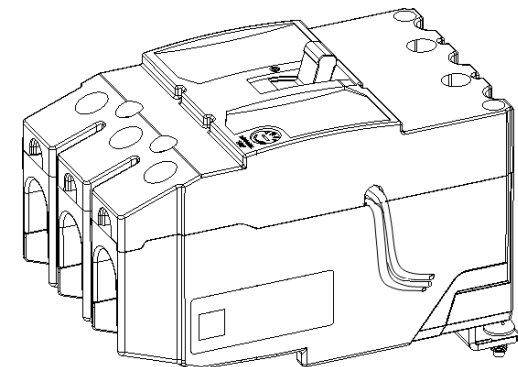
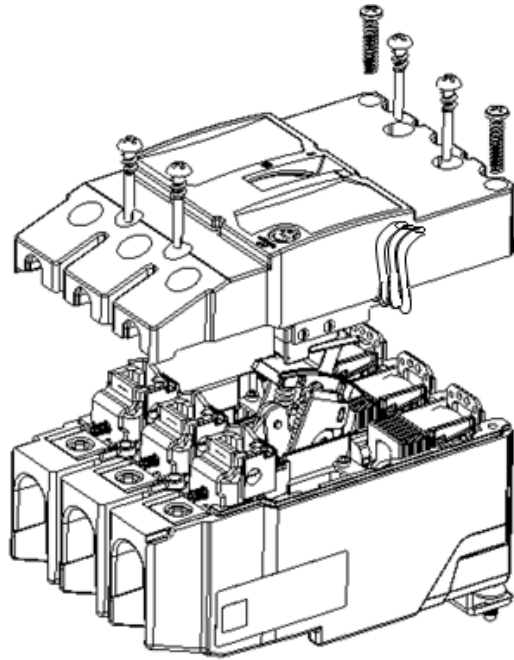


Figure 9. Auxiliary Switch, Right Pole Mounting

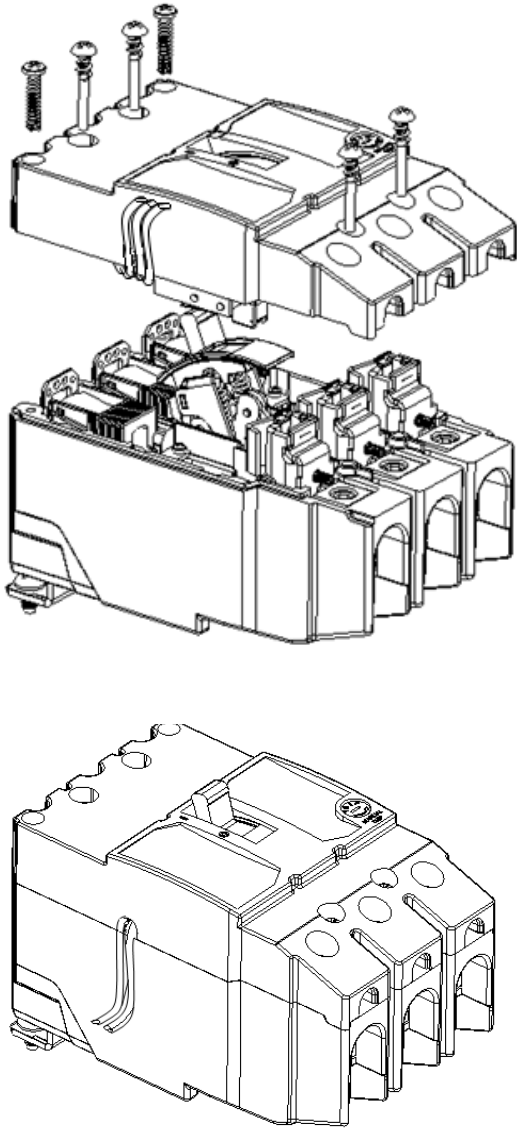
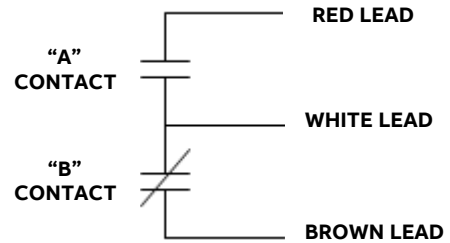


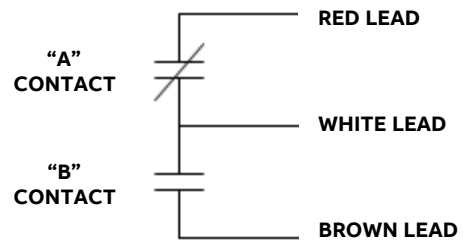
Figure 10. Auxiliary Switch, Left Pole Mounting

**STEP 6  
CIRCUIT CHECK**

Before being connected to external wiring, the contacts of the auxiliary switch should be electrically checked using a continuity tester with the circuit breaker in the OFF, ON and TRIP position. The state of the contacts should agree with the Schematics in Figure 11. Use the red “Twist to Trip” button to trip the breaker



**A. Circuit Breaker Open (OFF) or Tripped**



**B. Circuit Breaker Closed (ON)**

Figure 11.

**STEP 7****LOCATION OF LABELS****Rating Label For Auxiliary Switch, Right Pole Mounting**

1. Paste the Rating Label on the Base at the location shown in the Figure 12.
2. Tick the respective Mounting Type in the check Box provided in the Rating label to be offered to Customer

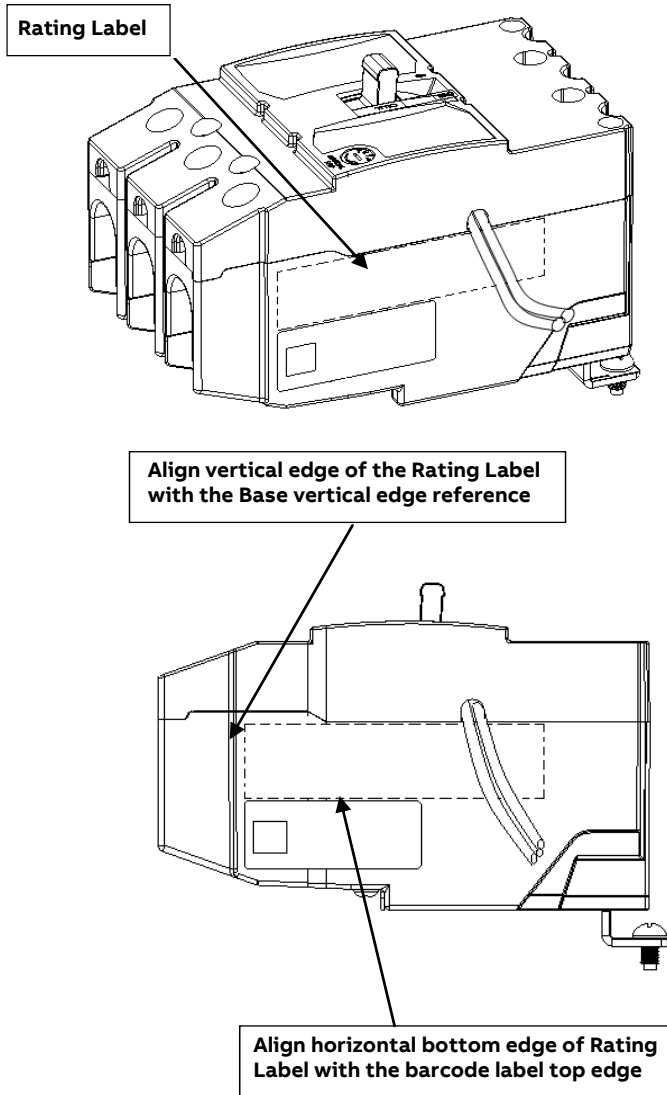


Figure 12.

**Rating Label For Auxiliary Switch, Left Pole Mounting**

1. Paste the Rating Label on the Base at the location shown in the Figure 13.
2. Tick the respective Mounting Type in the check Box provided in the Rating label to be offered to Customer

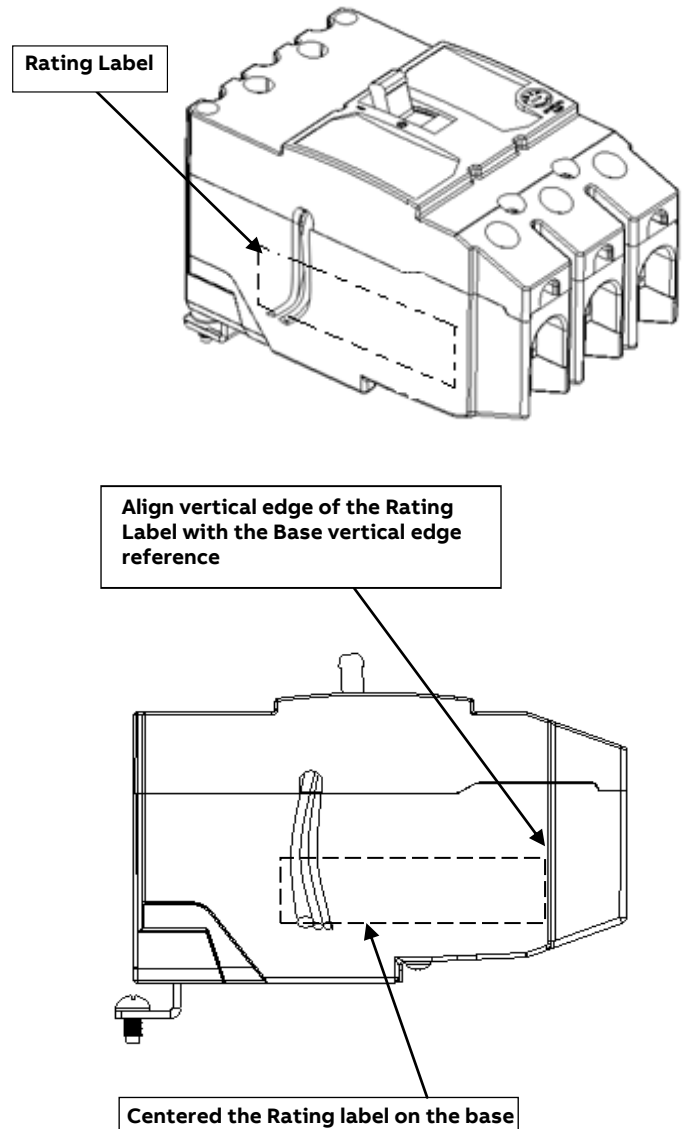


Figure 13.

These instructions do not purport to cover all details or variations in equipment nor, to provide contingency to be met in connection with installation, operation, or maintenance. Should further information be desired, or should particular problems arise which are not covered sufficiently for the purchaser's purposes, the matter should be referred to ABB.