

DEH41554 INSTALLATION INSTRUCTION FOR RIGHT POLE AND LEFT POLE

Auxiliary Switch Device Cat. No: TEYXASL & TEYXASR



CAUTION: The device is factory installed. Before inspecting or beginning any maintenance works on the breaker, it must be disconnected from all voltage sources, both power and control, and breaker placed in the off (open).

NOTES: Any work requiring cover removal of a sealed breaker voids UL listing. The UL label must be destroyed.

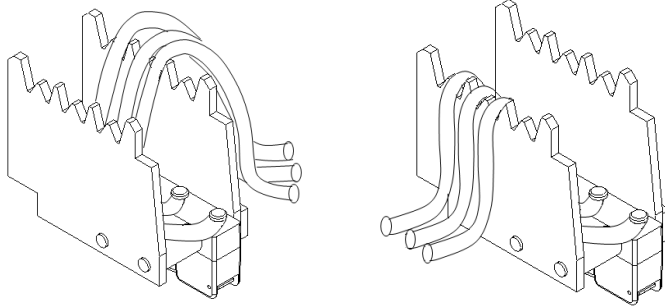
ELECTRICAL DATA

CAT. NO.	POLE LOCATION	RATING
TEYXASL	LEFT	5 Amp - 240 Vac 0.5 Amp - 125 Vdc 0.25 Amp - 250 Vdc
TEYXASR	RIGHT	

DESCRIPTION

The Auxiliary Switch device is used for remote notification that the breaker is either in Off/Trip position. The device utilizes a micro switch mounted between two melamine side frames that locate it inside the breaker. The micro switch has an integral lever that is actuated by the crank in the breaker.

The device can be mounted in either the left or right pole of a three pole circuit breaker (right pole only when installed in two pole circuit breaker). The auxiliary switches are shown in Figure 1.



AUXILIARY SWITCH, RIGHT POLE

AUXILIARY SWITCH, LEFT POLE

Figure 1.

STEP 1 Breaker Preparation for Field Installation.

Open breaker contacts by moving handle to the breaker "OFF" position as shown in figure 2.

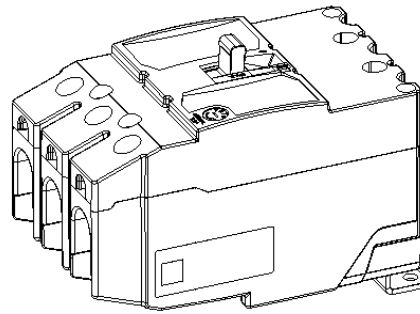


Figure 2.

STEP 2 Removing Cover

Remove breaker cover by removing cover screws as shown in Figure 3. Tar must be removed and discarded to gain access to screw.

Remove and save plastic handle and shutter.

Push trip bar towards load end to trip mechanism.

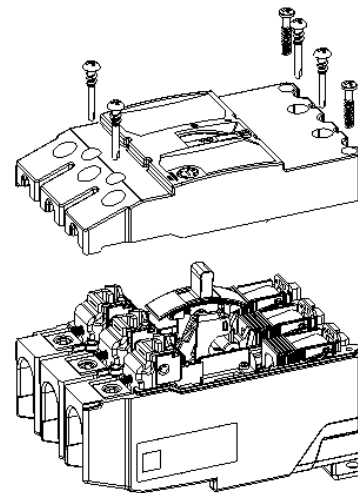
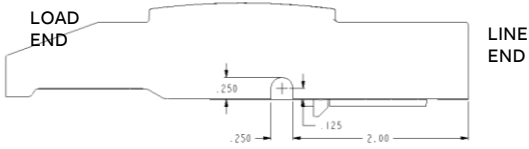


Figure 3.

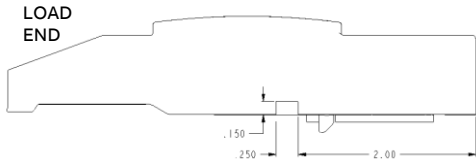
STEP 3 Cover Modification for Wire Exiting

Perform cover modification as shown in Figure 4. for right pole mounting. Cut notch in right side for right pole mounting. Remove all debris.



CUT NOTCH IN RIGHT SIDE

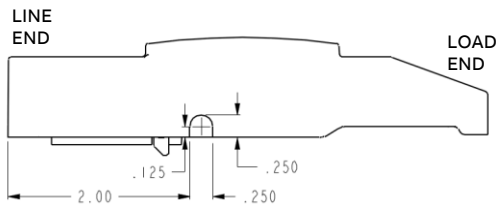
Figure 4a.



CUT NOTCH IN RIGHT SIDE

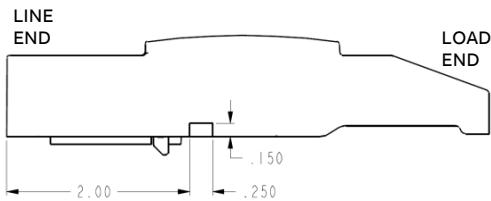
Figure 4b.

Perform cover modification as shown in Figure 5. for left pole mounting. Cut notch in left side for left pole mounting. Remove all debris.



CUT NOTCH IN LEFT SIDE

(OR)



CUT NOTCH IN LEFT SIDE

Figure 5.

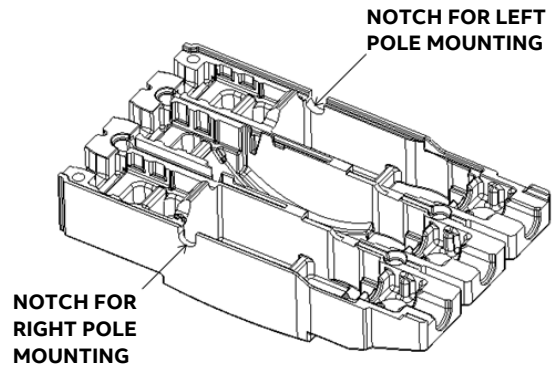
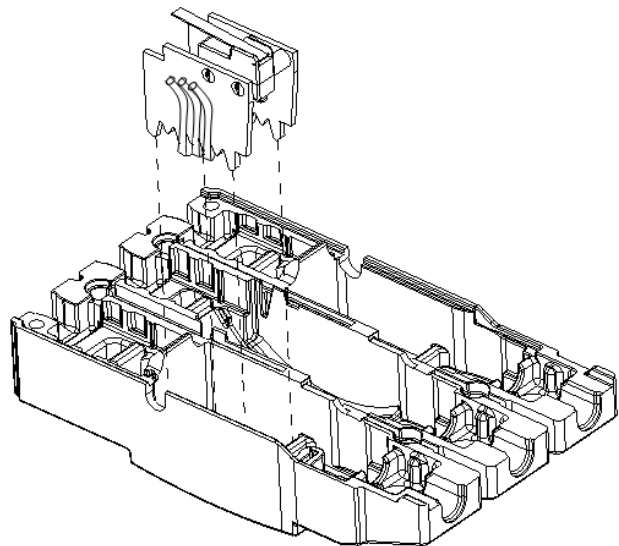


Figure 6.

STEP 4 Installation

Drop down the auxiliary Switch Device in the cover right pole pocket as shown fig. 7 for right pole mounting and in the left pole pocket as shown in fig. 8 for left pole mounting.



STEP 5 Reinstalling Cover and Aux Switch Asm in the Base

Reinstall plastic breaker handle and shutter. Position the wires to match the wire exiting hole in the cover.

Make sure no wires are pinched in the routing.

Wires must pass through the cover notch as shown in Figure 9 & 10.

Make sure the cover is properly seated and tighten the four inner cover mounting screws to torque value of 12-15 Lb-in and two outer mounting screws to 18-22 Lb-in.

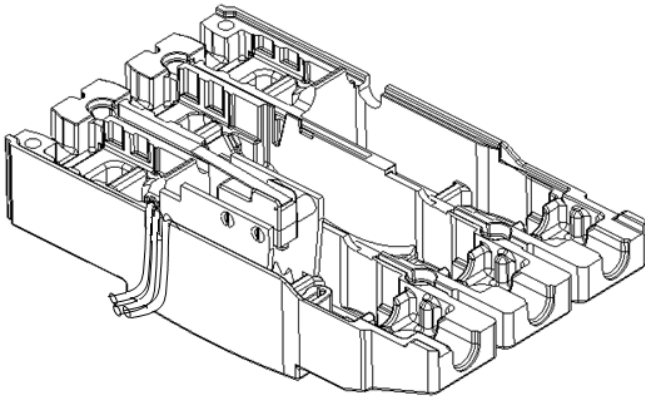


Figure 7. Auxiliary Switch, Right Pole Mounting

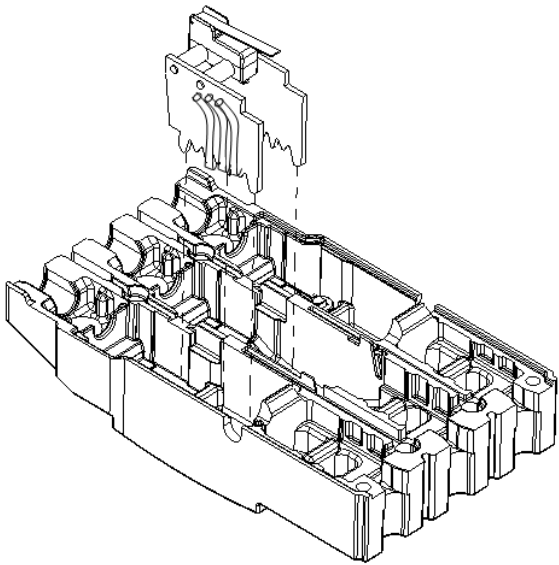


Figure 8. Auxiliary Switch, Left Pole Mounting

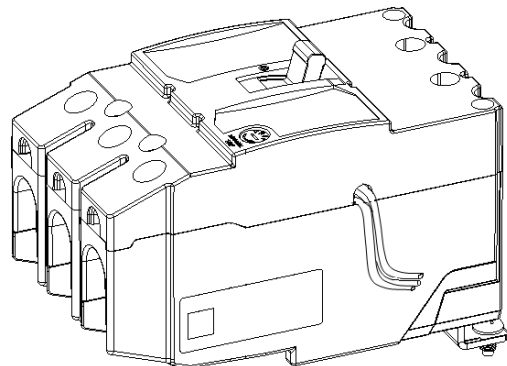
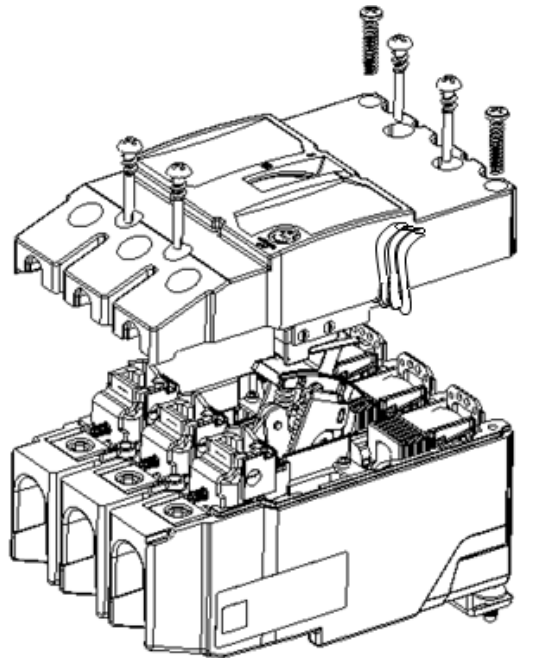


Figure 9. Auxiliary Switch, Right Pole Mounting

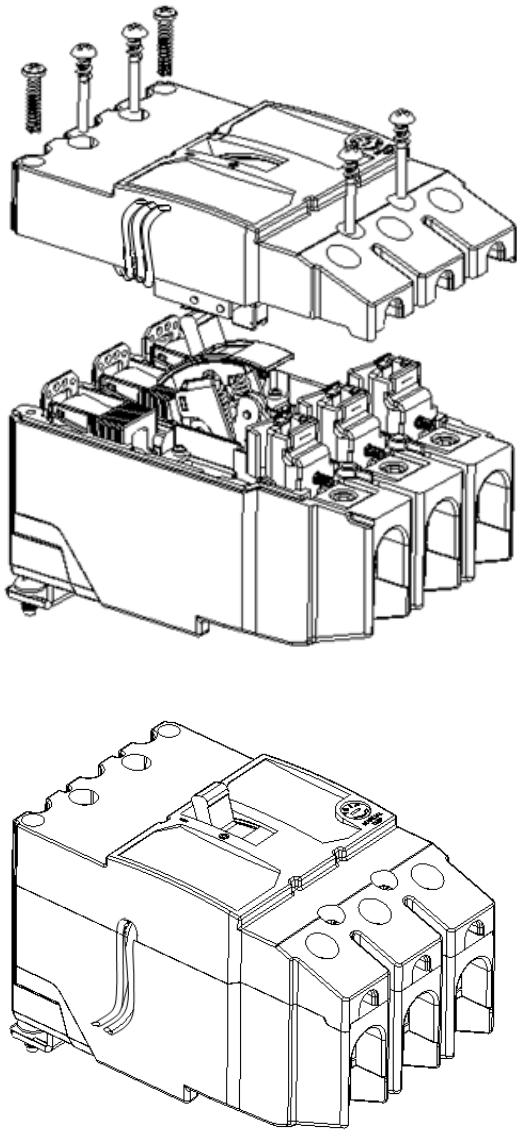
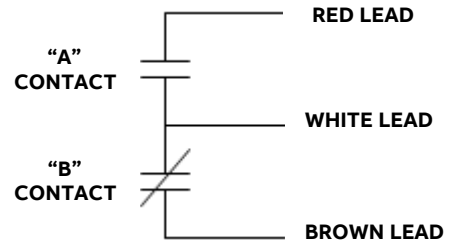


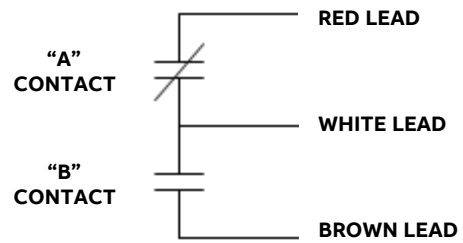
Figure 10. Auxiliary Switch, Left Pole Mounting

STEP 6 CIRCUIT CHECK

Before being connected to external wiring, the contacts of the auxiliary switch should be electrically checked using a continuity tester with the circuit breaker in the OFF, ON and TRIP position. The state of the contacts should agree with the Schematics in Figure 11. Use the red "Twist to Trip" button to trip the breaker



A. Circuit Breaker Open (OFF) or Tripped



B. Circuit Breaker Closed (ON)

Figure 11.

STEP7 LOCATION OF LABELS

Rating Label For Auxiliary Switch, Right Pole Mounting

1. Paste the Rating Label on the Base at the location shown in the Figure 12.
2. Tick the respective Mounting Type in the check Box provided in the Rating label to be offered to Customer

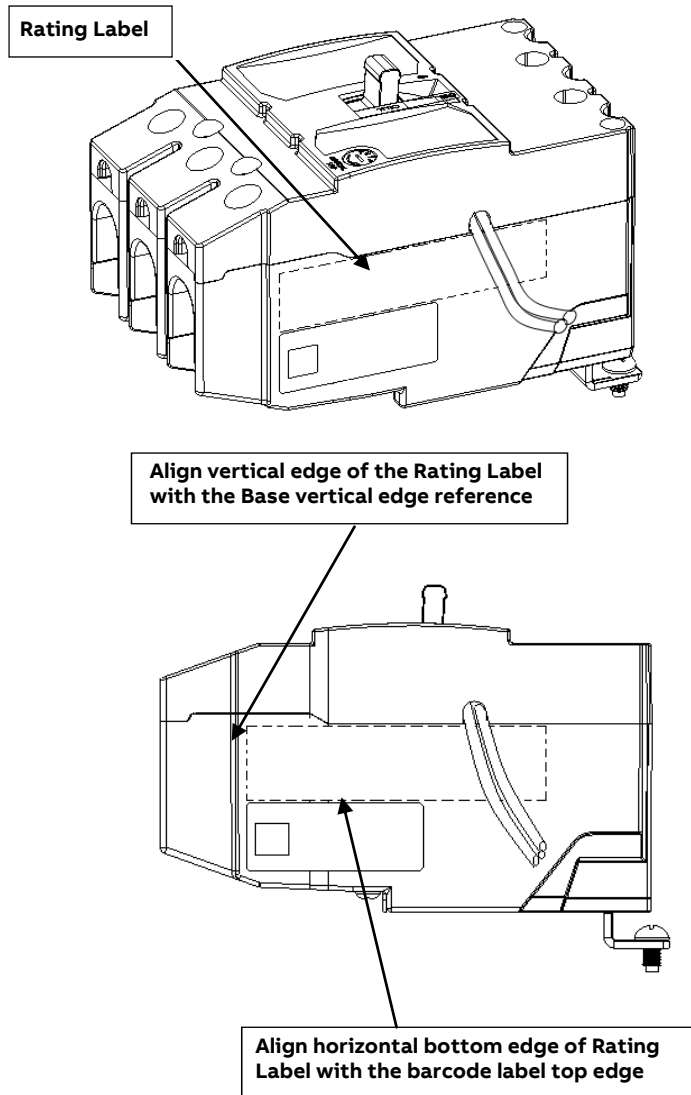


Figure 12.

Rating Label For Auxiliary Switch, Left Pole Mounting

1. Paste the Rating Label on the Base at the location shown in the Figure 13.
2. Tick the respective Mounting Type in the check Box provided in the Rating label to be offered to Customer

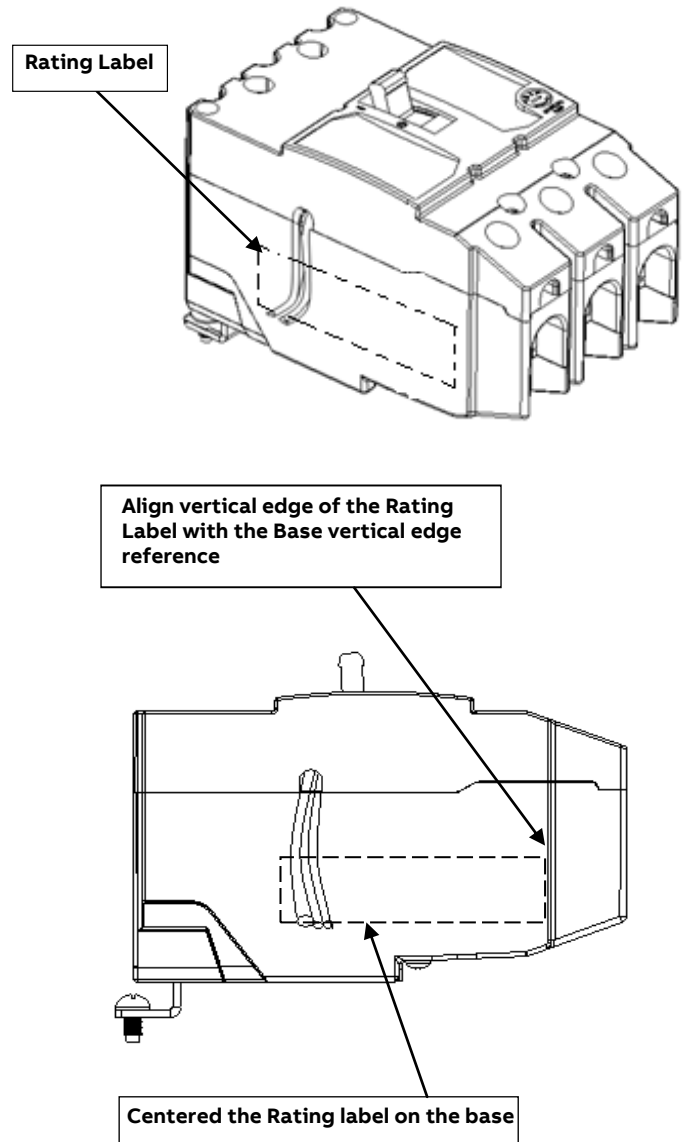


Figure 13.

These instructions do not purport to cover all details or variations in equipment nor, to provide contingency to be met in connection with installation, operation, or maintenance. Should further information be desired, or should particular problems arise which are not covered sufficiently for the purchaser's purposes, the matter should be referred to ABB Company.