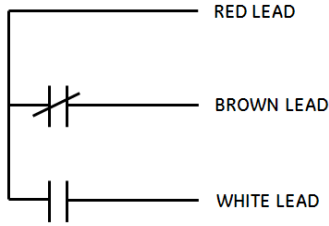
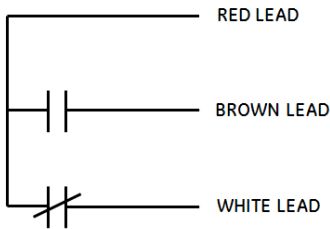


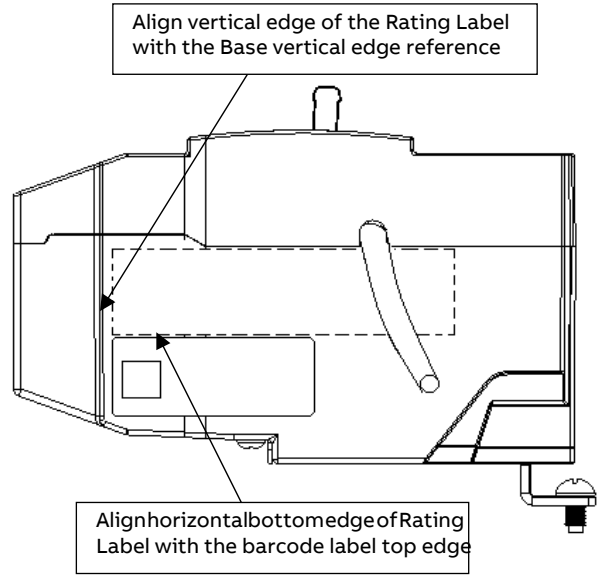
Before being connected to external wiring, the contacts of The bell alarm should be electrically checked using a continuity tester with the circuit breaker in the OFF, ON and TRIP position. The state of the contacts should agree with the Schematics in Figure11. Use the red “Twist to Trip” button to trip the breaker



A. Circuit Breaker Tripped



B. Circuit Breaker ON or OFF



STEP 9
Location of Labels
Rating Label Location

Paste the Rating Label as shown in the Figure 12.

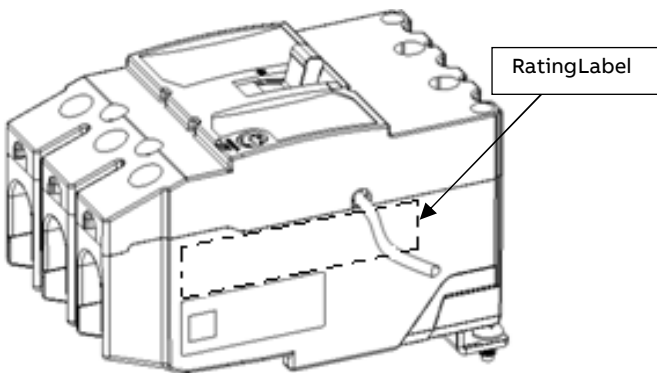


Figure 12.

Line and Load Labels Location

Paste the Line and Load Labels, as shown in the Figure 13.

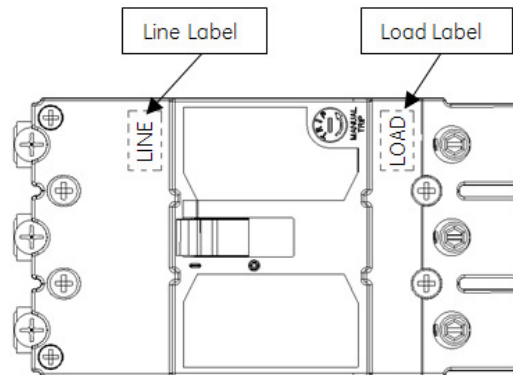


Figure 13.

These instructions do not purport to cover all details or variations in equipment nor, to provide contingency to be met in connection with installation, operation, or maintenance. Should further information be desired, or should particular problems arise which are not covered sufficiently for the purchaser’s purposes, the matter should be referred to ABB.