

DEH41557 INSTALLATION INSTRUCTIONS

Handle Padlock Device Cat. No: TEYXPLD1

DESCRIPTION

Padlock device fits between breaker and enclosure cover and is used to restrict breaker operations.

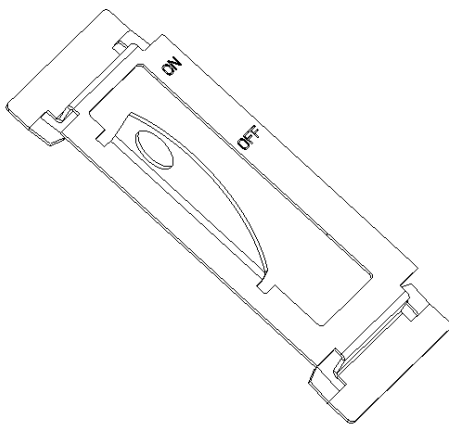


Figure 1. PADLOCK

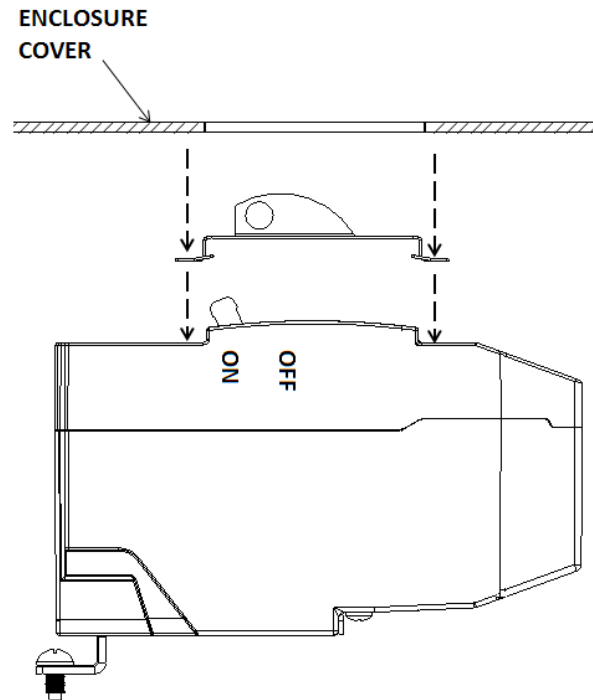


Figure 2.

Mounting of Padlock

1. Remove enclosure cover.
2. Press padlock device over breaker cover as shown in Figure 2. Handle padlock device should remain in position on its own after installation.
3. Replace enclosure cover.

These instructions do not purport to cover all details or variations in equipment nor, to provide contingency to be met in connection with installation, operation, or maintenance. Should further information be desired, or should particular problems arise which are not covered sufficiently for the purchaser's purposes, the matter should be referred to ABB Company.