



## DEH-41720 Installation Guide

# A-Series® II Lighting Panelboard

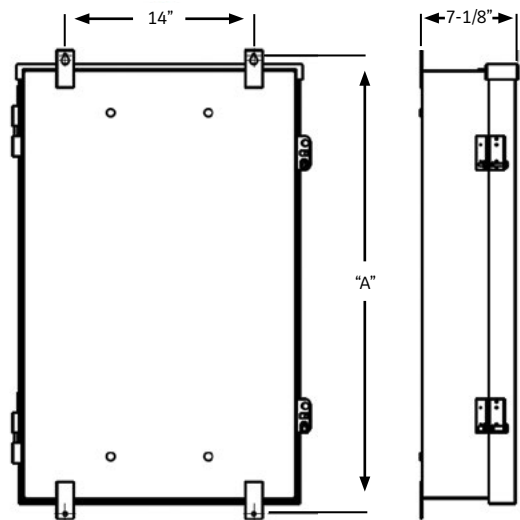
## NEMA3R & NEMA3RX Enclosure with Door-in-Door Front

Before proceeding with the installation, please review Table 1 to identify the dimensions of the panelboard and estimated weights.

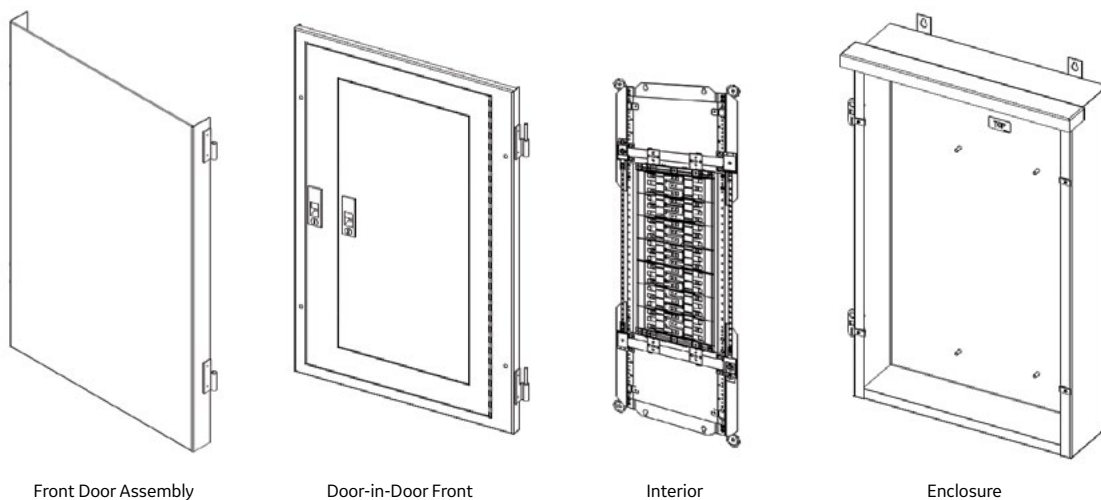
CAT. No.	HEIGHT	DEPTH	WIDTH	A	ESTIMATED WEIGHT* (lbs)
AB253M	25.5	7.125	20.86	28.5	51.5
AB313M	31.5	7.125	20.86	34.5	63.5
AB373M	37.5	7.125	20.86	40.5	73.5
AB433M	43.5	7.125	20.86	46.5	83.5
AB493M	49.5	7.125	20.86	52.5	93.6
AB553M	55.5	7.125	20.86	58.5	103.5
AB643M	64.5	7.125	20.86	67.5	118.5
AB763M	76.5	7.125	20.86	79.5	138.9

**TABLE 1. WEIGHT AND DIMENSIONS FOR AVAILABLE PANELBOARDS.**

\* Estimated weight does not include internal components.



**FIGURE 1: REAR VIEW AND SIDE VIEW OF ENCLOSURE**



Front Door Assembly

Door-in-Door Front

Interior

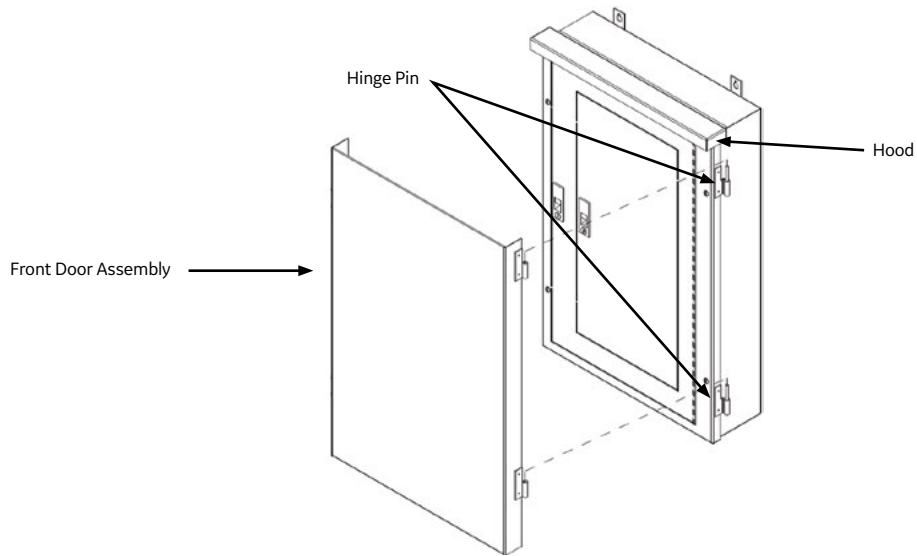
Enclosure

The NEMA3R/NEMA3RX panelboard is shipped assembled from factory, please follow the below steps to install the panelboard.

---

**STEP 1**

Remove the Front Door Assembly by rotating 90 degrees to clear the hood area then lift until it is fully disengaged from the Hinge Pins.

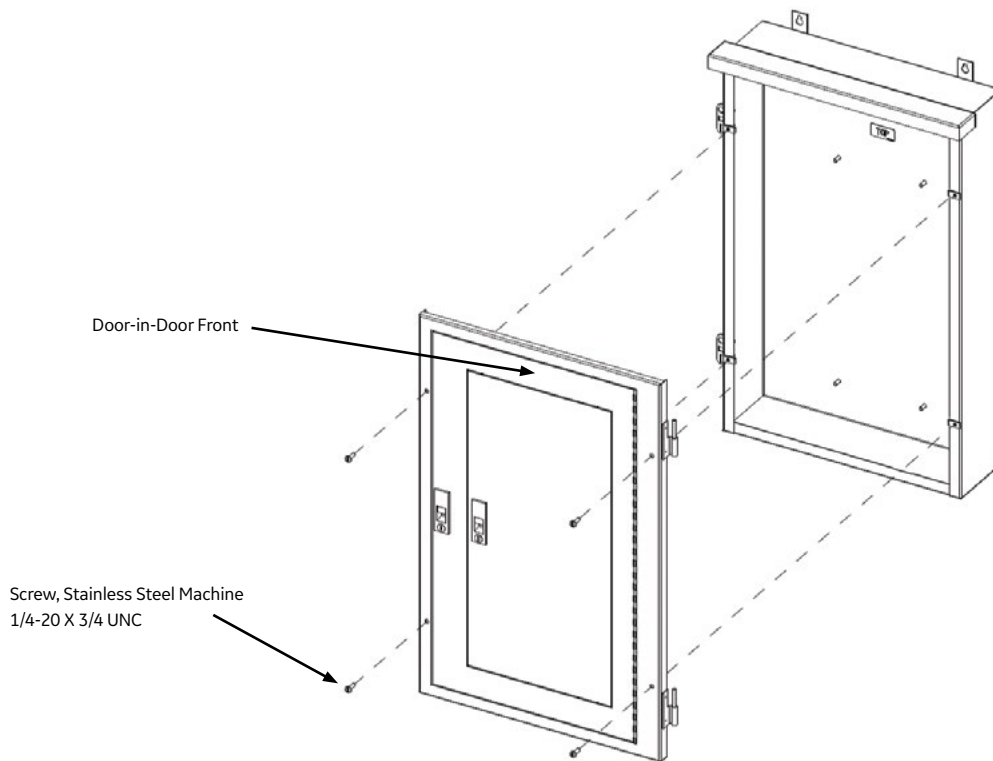


**FIGURE 2**

---

**STEP 2**

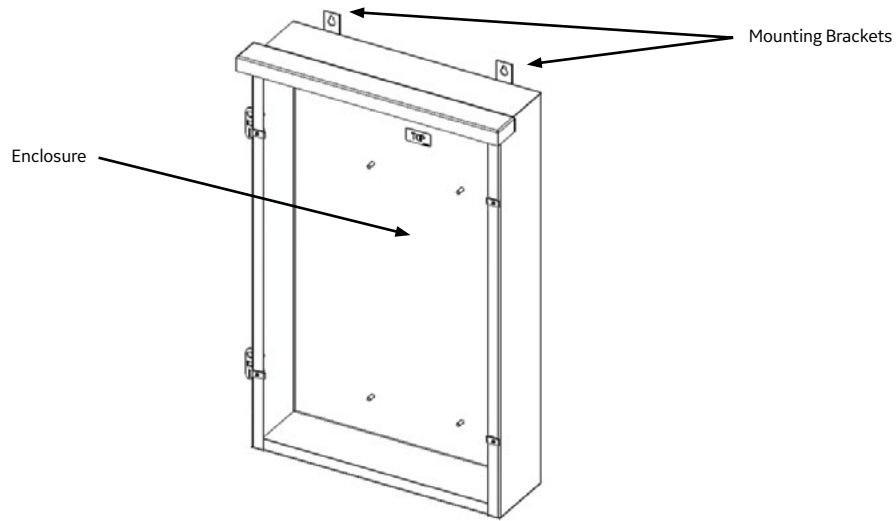
Remove the Door-in-Door Front from the Enclosure by unscrewing all hardware. Make sure to save all mounting hardware for re-installation.



**FIGURE 3**

**STEP 3**

After you have identified the location on the wall, proceed to install the Enclosure using the Mounting Brackets. Mounting screws and anchors are to be provided by the electrical contractor in charge of the installation, considering wall type and material along with panelboard weight. Please see Table 1 for estimated weights.



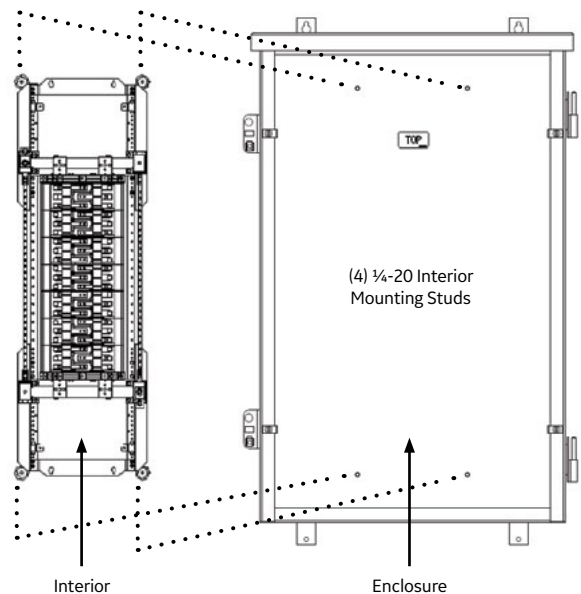
**FIGURE 4**

**STEP 4**

Mount the Interior on the Enclosure as shown of Figure 5. For more details on the Interior installation please see Pub# GEH5917. At this point, proceed to wire the panelboard before installing the front door and assembly. Please refer to Table 2 for conduit sizes as needed per the application.

NOMINAL CONDUIT DIAMETER IN INCHES	CATALOG NUMBER	
	ZINC HUB	CHROME PLATED ZINC HUB
½"	343L647G3	343L647G17
¾"	343L647G4	343L647G18
1"	343L647G5	343L647G19
1 ¼"	343L647G6	343L647G20
1 ½"	343L647G7	343L647G21
2"	343L647G8	343L647G22
2 ½"	343L647G9	343L647G23
3"	343L647G10	343L647G24
3 ½"	343L647G11	343L647G25
4"	343L647G12	343L647G26

**TABLE 2. CATALOG NUMBERS OF AVAILABLE HUBS FOR VARIOUS CONDUIT SIZES.**



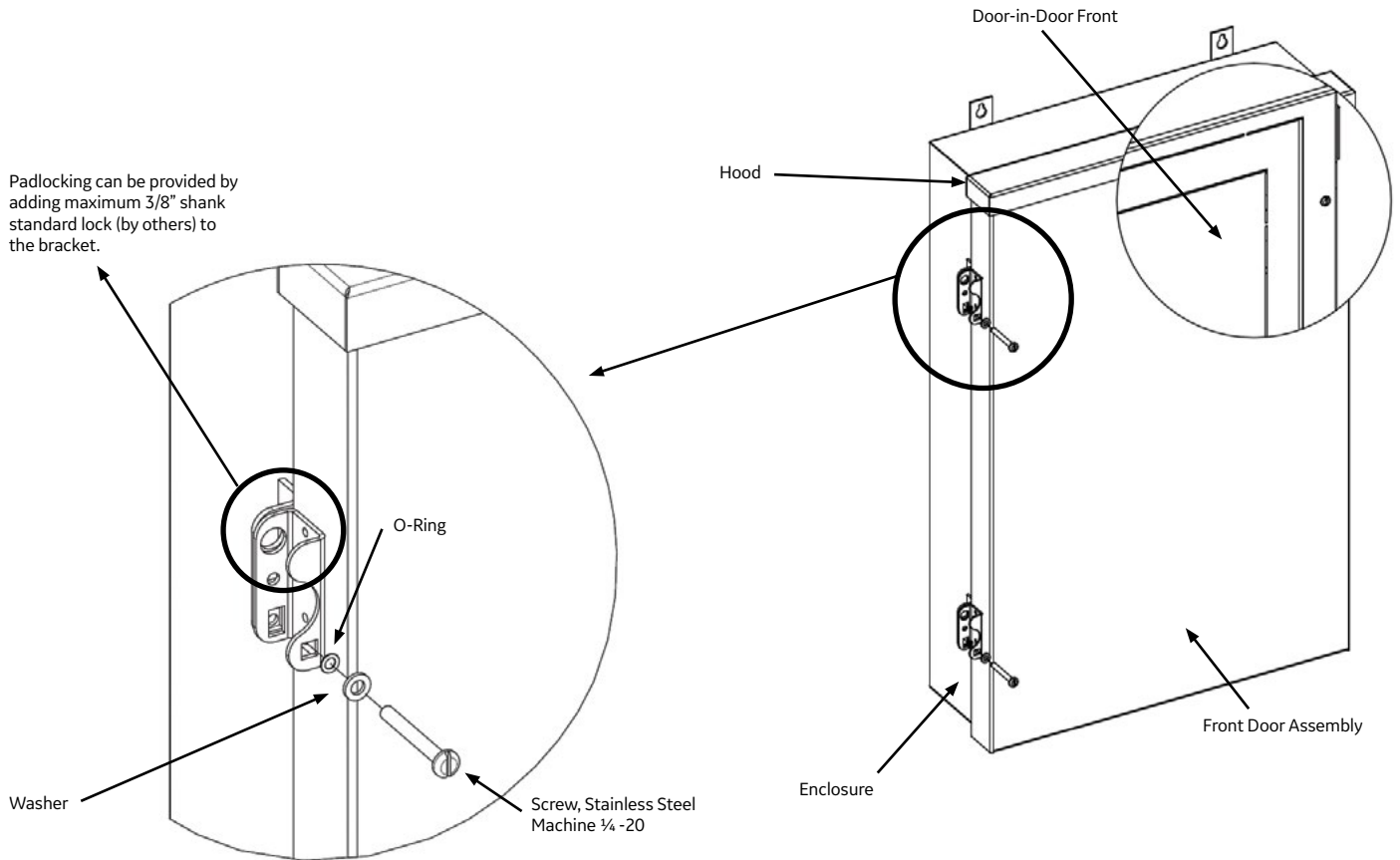
**FIGURE 5**

**STEP 5**

Once all internal wiring is done, proceed to re-install the Door-in-Door and Front Assembly by reversing Step 2 and Step 1.

**STEP 6**

To secure the Front Door Assembly proceed to press nut wings towards inside and insert them into the square cutout on rear side of the Stop bracket on Box. Insert O-Ring, Washer and ¼ - 20 Stainless Steel Machine Screw set from front as directed in Figure 6.



\* NOTE: Do not remove cage nut located on the enclosure side of the padlock bracket.

**FIGURE 6**

These instructions do not cover all details or variations in equipment nor do they provide for every possible contingency that may be met in connection with installation, operation, or maintenance. Should further information be desired or should particular problems arise that are not covered sufficiently for the purchaser's purposes, the matter should be referred to the GE Company.

\*Registered trademark of the General Electric Company.  
The GE brand, logo, and lumination are trademarks of the General Electric Company.  
© 2017 General Electric Company. Information provided is subject to change without notice.  
All values are design or typical values when measured under laboratory conditions.