



DEH41721

Clear Arc Shield Replacement Kit

Line Shields



Hazards of electrical shock or burn! Turn off power before working inside this equipment.

Used with:

30 - 200 Ampere Heavy Duty Switches.

KIT CONTENTS		
SEQ	DESCRIPTION	QTY
1	ARC SHIELD	1
2	#10-16, Self-Tapping Screw	2

#10-16, SELF TAPPING SCREW, 2 PLCS

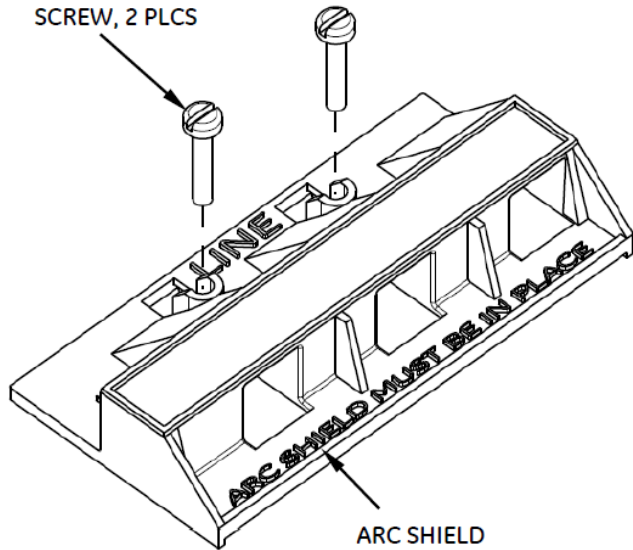


Fig.1: Representation of Arc Shield
(Figure may vary based on Switch Rating)

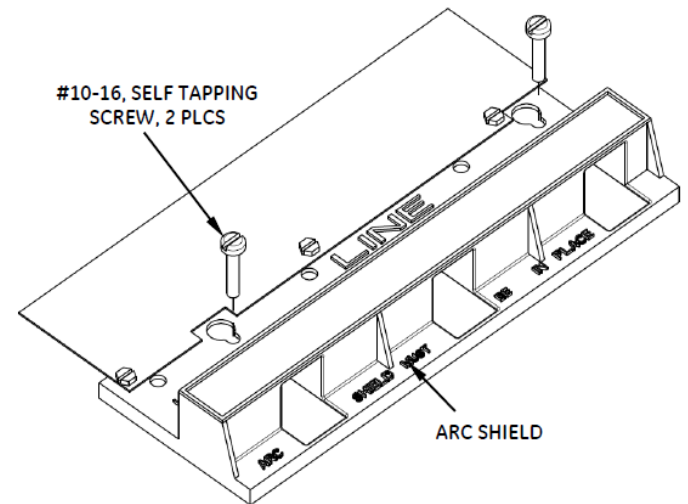


Fig.2: Arc Shield for 200A Safety Switch