



DEH44152

Auxiliary Contact Kits

THAUXDT



Hazards of electrical shock or burn! Turn off power before working inside this equipment.

Used with:

All ABB Double Throw Switches

Introduction

This bulletin provides instructions for installing Auxiliary switch kit – THAUXDT.

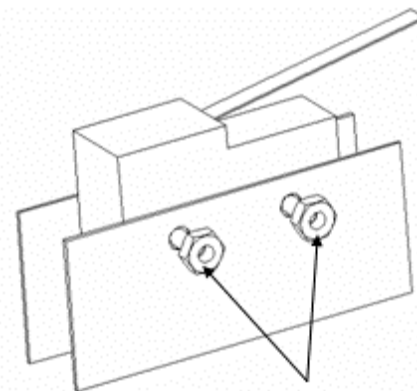
Description:

This neutral kit consists of the following parts:

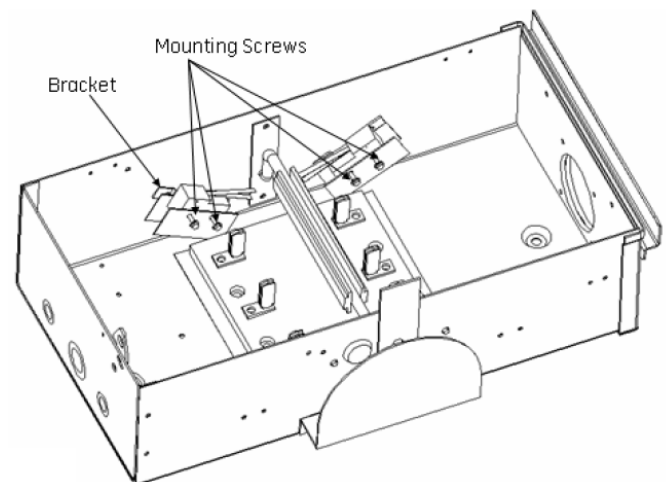
1. Two (2) Auxiliary switch assembly
2. Four (4) 6-32 X 1" mounting screws

Mounting Instructions:

1. Remove nuts provided in auxiliary switch assembly & dispose them. Refer Fig 1.
2. Install Auxiliary switch assembly on bracket attached to side wall using mounting screws in the orientation shown. Refer Fig 2.



— Nuts
Fig. 1



—
Fig. 2