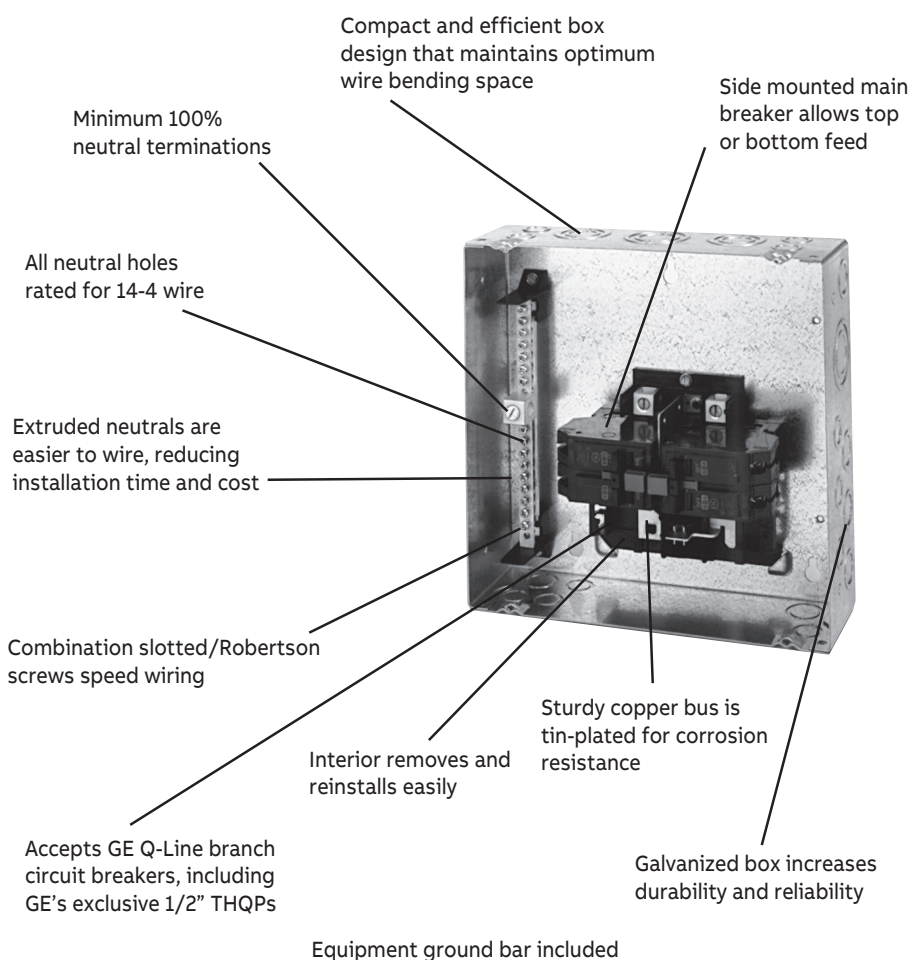




PowerMark Gold[®] Generator Panel

- Single phase, 2 interlocked 30A or 60A main breakers, 8 circuits max.
- Safety and convenience when using a generator
- Maintains power to such critical circuits as those for furnace, pump, refrigerator, lights
- Connected dual breaker mechanism



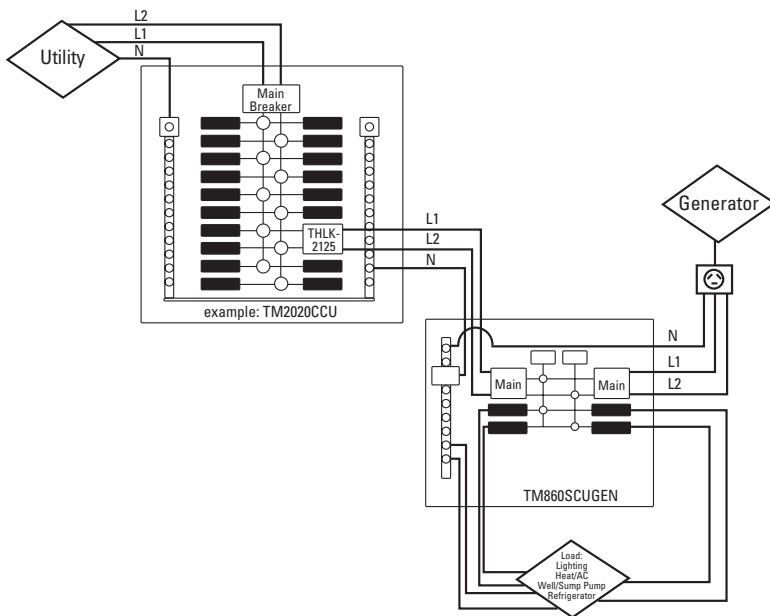
Technical Data

All generator panels include two interlocked main breakers and an equipment ground bar.

Selection Guide

Generator Rating	Main Ampere Rating	Maximum Spaces				Total 1 Pole Spaces	Generator Panel Catalog Number			Main Wire Size
		1 Pole	2 Pole	1 Pole	2 Pole		Indoor Flush Mount	Indoor Surface Mount	Outdoor	
		1" THQL	1/2" THQP							
Up to 7.5 kW	30	4	2	8	4	8	TM830FCUGEN	TM830SCUGEN	TM830RCUGEN	6-1
7.5 kW - 15 kW	60	4	2	8	4	8	TM860FCUGEN	TM860SCUGEN	TM860RCUGEN	6-1

Wiring Diagram



Ratings

30A: 7,200 peak wattage, 5,760 continuous load, 24 amps at 240 volts
60A: 14,400 peak wattage, 11,520 continuous load, 48 amps at 240 volts

Accessories & Options

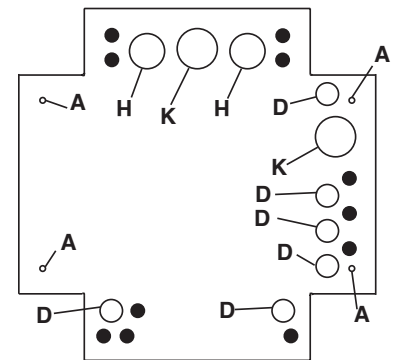
- Front filler plates
- Hardware kits (THDWRKIT)

References

DET-436 Residential Products Quick Selection Guide

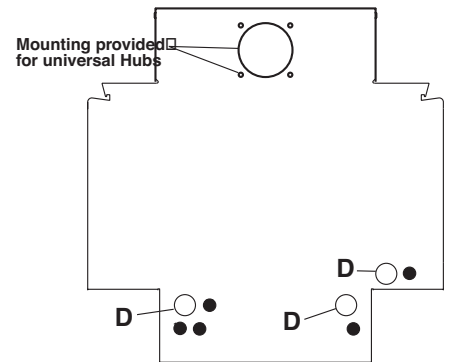
ABB Inc
 305 Gregson Drive
 Cary, NC 27511
www.electrification.us.abb.com

Knockouts & Dimensions



Indoor

11 9/16"W x 11 1/8"H x 3 1/4"D



Outdoor

11 1/4"W x 11 1/8"H x 3 1/4"D

© Copyright 2019 ABB. All rights reserved.
 Information provided is subject to change without notice. Please verify all details with ABB. All values are design or typical values when measured under laboratory conditions, and ABB makes no warranty or guarantee, express or implied that such performance will be obtained under end-use conditions.

GE is a trademark of GE. Manufactured under trademark license