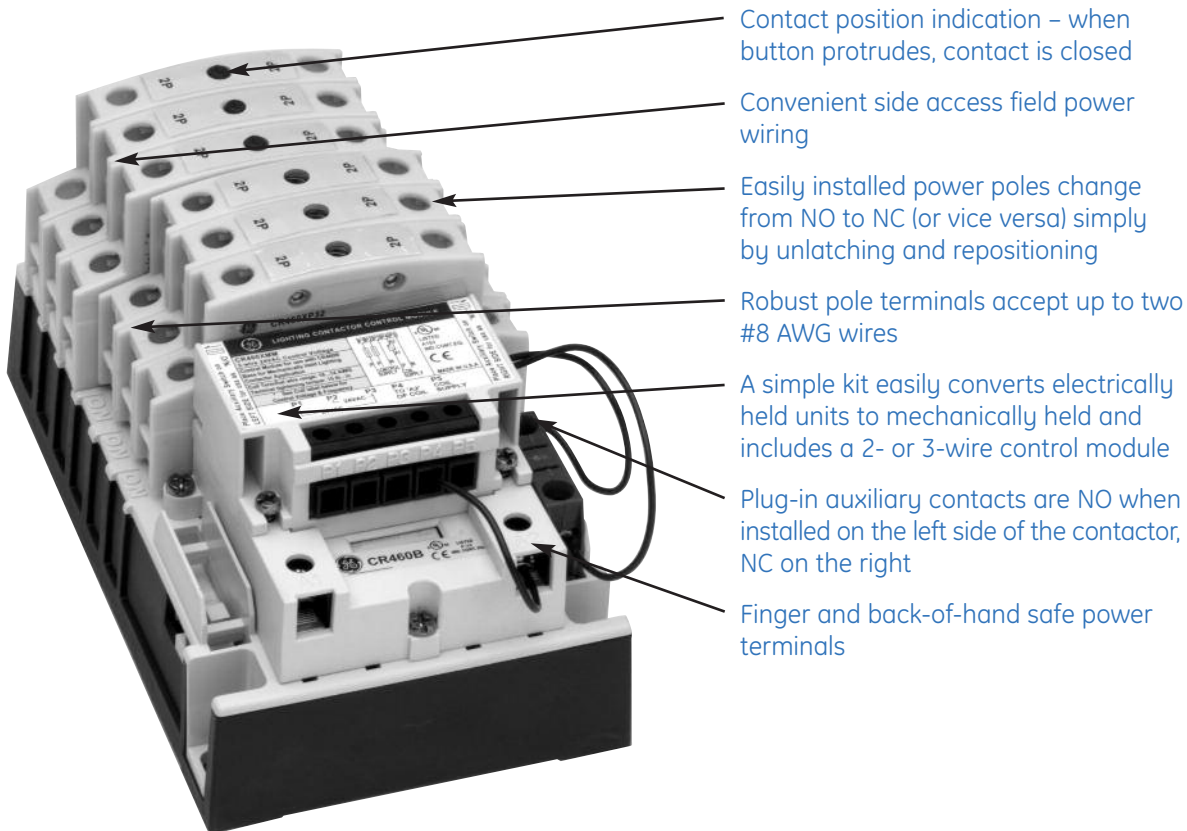


GE

# CR460 Series Lighting Contactors



Contact position indication – when button protrudes, contact is closed

Convenient side access field power wiring

Easily installed power poles change from NO to NC (or vice versa) simply by unlatching and repositioning

Robust pole terminals accept up to two #8 AWG wires

A simple kit easily converts electrically held units to mechanically held and includes a 2- or 3-wire control module

Plug-in auxiliary contacts are NO when installed on the left side of the contactor, NC on the right

Finger and back-of-hand safe power terminals

## The ultimate in versatility, simplicity and performance

- Contactors switch ballast (fluorescent or HID), tungsten and general use loads, and carry motor load, resistive and pilot duty ratings
- Electrically and mechanically held forms available with up to 12 poles (maximum of 8NC)
- Auxiliary contacts, rated A600, suitable for use on low level circuits down to 12V, 5mA
- Wide array of enclosure options: NEMA Types 1, 12/3R, 4/4X
- Compact, easy-to-handle, modern design with common footprint across all forms
- Available as ready-to-assemble components, standard assembled contactors or modified assembled contactors



imagination at work

## CR460 Series Lighting Contactors

GE's CR460 Series lighting contactors deliver **unprecedented versatility** in application, **simplicity** in configuration and **performance** in operation. Ingenious design, rugged construction and a host of truly useful features make them uniquely appealing to all those who use them.

### Main Power Poles

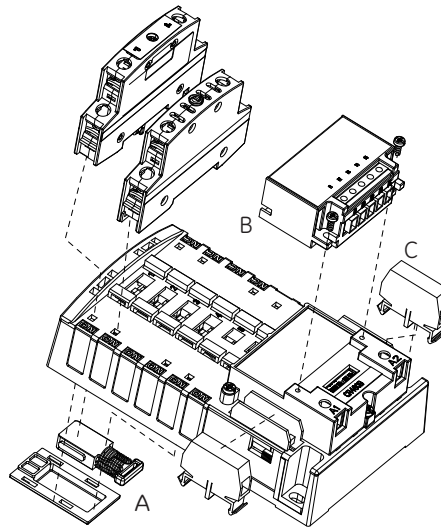
Maximum AC Voltage and Amp Ratings

Load Type	Amps Continuous	Poles	
		1 Phase	3 Phase
Ballast	30	347 Vac	600 Vac
General Use	30	600 Vac	600 Vac
Tungsten	20	277 Vac	480 Vac
AC Resistive	30	600 Vac	600 Vac

Pilot Duty Rating: A600

Maximum Horsepower Rating (Normal Starting Duty)

	1 Pole Single Phase		3 Poles, Three Phase			
Volts	110-120V	220-240V	200-208V	220-240V	440-480V	550-600V
HP	1	2	3	5	10	15



Power poles latch easily onto the base, and NO or NC configuration is just a matter of positioning on the base.

Auxiliary contacts snap quickly into position.

Easily installed kits convert the contactor from electrically to mechanically held. Kit includes A, B and C.

### Withstand Current Ratings for CR463 Series Contactors – Available Amps (RMS) Symmetrical

Circuit Breakers – Inverse Trip Type

AC Service Voltage	Breaker Size	Enclosure Type CR460XE*B		Enclosure Type CR460XE*D or Larger			
		TEY/THHQB	All other inverse trip breakers	THHQB	TEY	SE	All other inverse trip breakers
240V	30A	22,000	14,000	22,000	65,000	100,000	22,000
	40A	14,000	10,000	22,000	65,000	100,000	22,000
277V	30A	14000 <sup>Ⓟ</sup>	10,000	N/A	14,000	30,000	14,000
	40A	14000 <sup>Ⓟ</sup>	5,000	N/A	14,000	30,000	14,000
480V	40A	N/A	5,000	N/A	N/A	30,000	14,000
	600V	40A	N/A	5,000	N/A	14,000	10,000

<sup>Ⓟ</sup> TEY only.

Fuses

AC Service Voltage	Fuse Size	Enclosure Type CR460XE*B		Enclosure Type CR460XE*D or Larger		
		J	RK1	J, RK1, RK5	K	H
600V and below	30A	100,000	50,000	100,000	50,000	10,000

### Control Circuit Characteristics

Control Module

Input Voltage	Steady State Current @ Rated Voltage (mA)	Maximum VA
24Vdc	42	2
12-24Vac	80	5
115-120Vac	83	12
200-277Vac	91	30

Coil	
Inrush	248VA
Sealed	28VA

Minimum pulse duration (3-wire control module)	250ms
Maximum allowable leakage current	1.8 mA
EMI	35 V/m
Surge transient peak	6 kV
Frequency range	40-70 Hz

Wire Size

Component	Number of Cables	Wire Range AWG (Solid or Stranded)	Wire Temp.
Power Poles	1	#14-8	75°C Cu
	2	#14-8 <sup>Ⓟ</sup>	75°C Cu
Coil	1 or 2	#18-14	60°/75°C Cu
Control Module	1 or 2	#22-12	60°/75°C Cu
Auxiliary Contacts	1 or 2	#22-12	60°/75°C Cu

<sup>Ⓟ</sup> #8 AWG stranded only.

Auxiliary Contacts Rating: A600, 24Vdc, 24VA  
Ambient Temperature: -25° to 40°C  
Standards: UL508, cUL, CE  
Instructions: DEH-40460

For more information, where to buy, and time-saving configuration tools, please go to [www.geelectrical.com](http://www.geelectrical.com) or call your local GE sales office.

Information provided is subject to change without notice. Please verify all details with GE. All values are design or typical values when measured under laboratory conditions, and GE makes no warranty or guarantee, express or implied, that such performance will be obtained under end-use conditions.

GE

41 Woodford Avenue, Plainville, CT 06062

[www.geelectrical.com](http://www.geelectrical.com)

© 2010 General Electric Company

