

# Record Plus FB 100 Current Limiting Molded Case Circuit Breakers



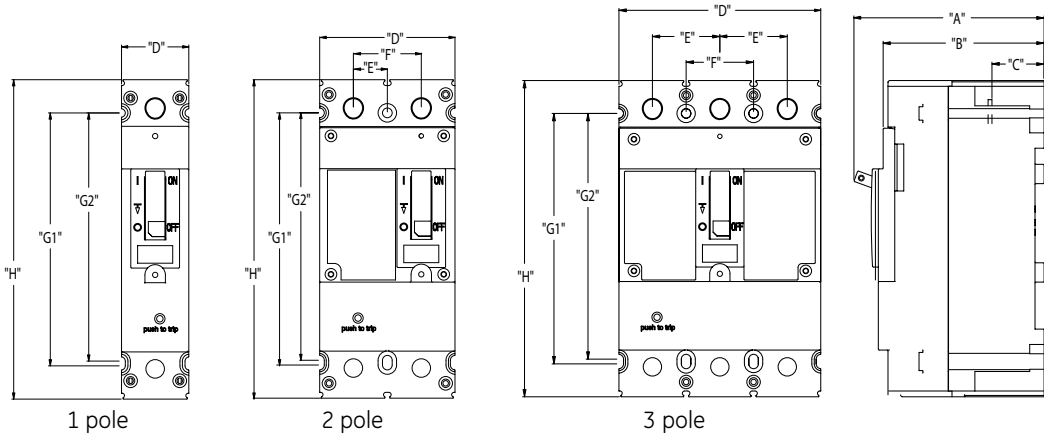
- 15-100 amperes
- Meets UL 489 and CSA 22.2
- 1, 2 and 3 pole envelopes
- State-of-the-art rotary, double-break interrupter system
- Current limiting
- Up to 150kAIC, 480Y / 277V and 42kAIC, 600Y/347V
- Reverse feed standard
- Push-to-trip button for manual actuation
- Thermal magnetic trip system – not affected by mounting orientation
- Trip-free mechanism opens breaker contacts under overcurrent conditions, even with breaker handle held in ON position
- UL Listed field-installable accessories – shunt trip, undervoltage release, auxiliary switch, bell alarm – common across all Record Plus breakers

# Record Plus FB 100 Current Limiting Molded Case Circuit Breakers

Poles	1, 2, 3	
Amperes	12, 20, 25, 30, 35, 40, 45, 50, 60, 70, 80, 90, 100	
Trip Unit	Fixed thermal magnetic	
	Nominal magnetic pickup, 15A-100A	12.5X±15%
Endurance/Durability	No load	20,000
	Full load at 240Vac	20,000
	Full load at 480Vac	10,000

## Interrupting Ratings

Ampere Rating	Maximum Voltage	Type	Poles	UL Listed Interrupting Rating rms Symmetrical Amperes (Thousands) AC Voltage				
				240	277	347	480	600
				15-100	600Y/347 Vac	FBV	1	35
			2	65	-	-	35	22
			3	65	-	-	35	22
		FBN	1	65	65	25	-	-
			2	150	-	-	65	25
			3	150	-	-	65	25
		FBH	1	100	100	35	-	-
			2	200	-	-	100	35
			3	200	-	-	100	35
		FBL	1	100	100	42	-	-
			2	200	-	-	150	42
			3	200	-	-	150	42



## Dimensions

Poles	Dimensions (inches)								
	A	B	C	D	E	F	G1	G2	H
1	3.88	3.28	1.06	1.36	0.00	0.00	5.11	5.01	6.45
2	3.88	3.28	1.06	2.74	0.69	1.38	5.11	5.01	6.45
3	3.88	3.28	1.06	4.11	1.38	1.38	5.11	5.01	6.45

**GE Consumer & Industrial**  
41 Woodford Avenue, Plainville, CT 06062  
www.GEindustrial.com  
© 2005 General Electric Company

