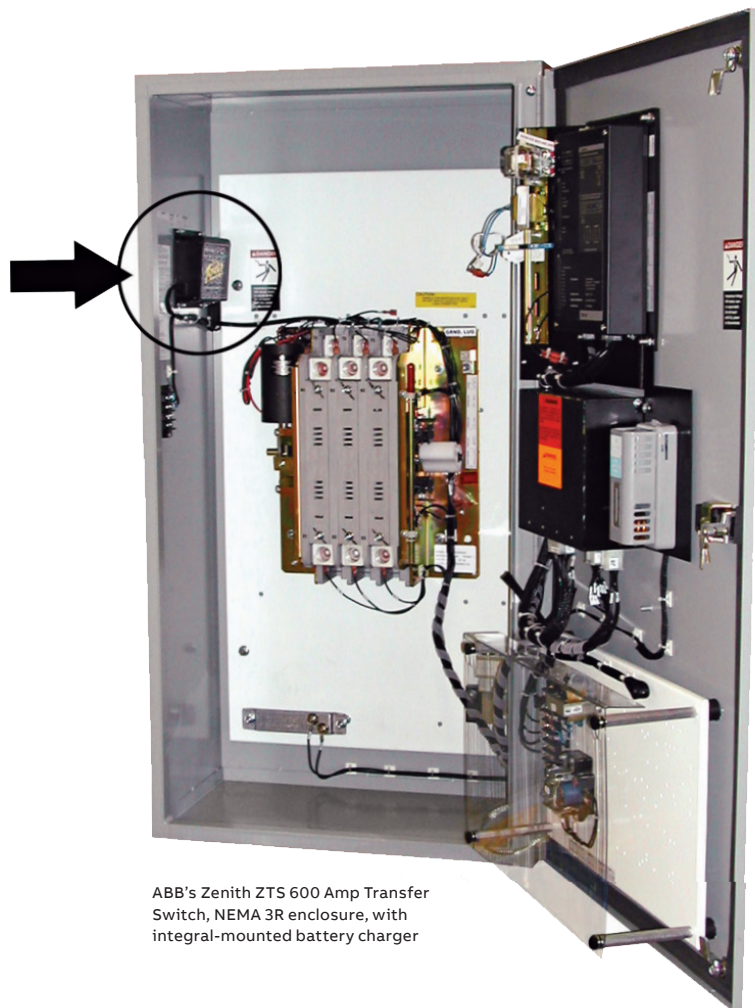


---

# Integrated Generator Set Starting Battery Chargers

For ABB's Zenith ZTE & ZTS Series  
Automatic Transfer Switches



ABB's Zenith ZTS 600 Amp Transfer Switch, NEMA 3R enclosure, with integral-mounted battery charger

## Introduction

ABB's Zenith battery chargers have been selected and factory-tested for reliability and long life when integrated with ABB's Zenith Automatic Transfer Switches (ATS). Mounting the generator set starting battery charger inside the ATS enclosure saves generator room wall space, reduces field interconnect wiring, reduces total system installed costs and provides the highest reliability emergency power connection to the charger. Expensive, business-critical equipment is at risk from both high magnitude lighting and utility switching surges and lower magnitude surges caused by such inductive loads as HVAC, motors, fluorescent light banks and even laser copiers. For this reason, IEEE guidelines specifically recommend that a SPD be installed at service entrance locations and in all downstream distribution components that supply sensitive loads – such as an ATS.

The battery chargers are factory wired to the load-side of the ATS to ensure supply power to the charger during a utility power outage. All necessary fuses, control power transformers and alarm circuitry is factory-wired and tested to ensure the highest system reliability and performance.

Output voltage and ampere options are available for cost-effective matching of charger capabilities and generator set starting battery requirements. Optional local alarm annunciation and status signals are available on all models to meet local codes and/or project specification requirements.

## Features and Benefits

- Available for NEMA 1 and NEMA 3R enclosed ABB Zenith ZTE & ZTS Series ATS
- Meets or exceeds the requirements of UL 1236 and CSA 22.2
- Charger receives 100-132VAC, 60 Hz supply power from load side of ATS. "HV" Option provides factory-mounted Potential Transformer and fusing for 480/277VAC transfer switch
- Accommodates both flooded and sealed AGM/GRT lead acid batteries
- Convection cooled, utilizing true three-state charging cycle – recommended as the most efficient by all lead acid battery manufacturers
  - Stage 1: Initialization/Bulk: Increasing Voltage, Constant Current to bring battery from discharged state to ~80% charge
  - Stage 2: Absorption: Constant Voltage, Decreasing Current for final 20% of battery charging
  - Stage 3: Float: Maintains full charge without overcharging the battery
- Reverse polarity and short circuit protection
- Eliminates need for external power supply

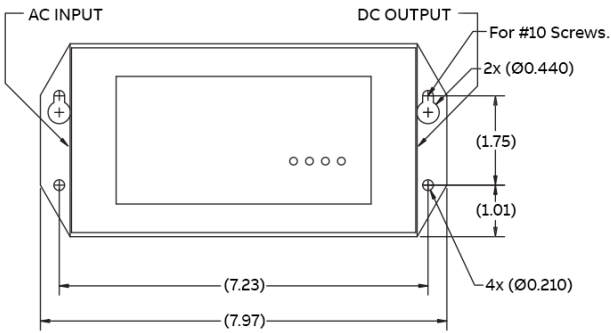
## Technical Specifications

Operating Frequency	60 Hz
Operating Temperature	14°F to 122°F (-10°C to +50°C)
Operating Humidity	0% to 95% Non-Condensing
Control Voltage	External supply not necessary. Control power derived from ATS load side voltage terminals
Weight	3A: 4 lbs (1.8 kg) 10A/12VDC: 8 lbs (3.6 kg) 10A/24VDC: 13 lbs (5.9 kg)

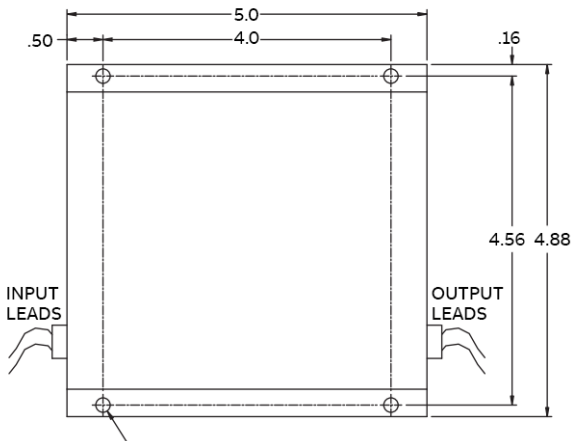
# Order Matrix

BCI					
1	2	3	4	5	6
<b>1</b>					
BCI					
<b>2 Output Voltage</b>					
12	12 VDC				
24	24 VDC				
<b>3 Current Rating</b>					
03	3 Amp				
10	10 Amp				
<b>4 ATS Voltage Rating*</b>					
LV	Single Phase	120VAC, 2W, 60HZ 120/240, 3W, 60HZ			
	Three Phase	120/208, 4W, 60HZ 120/240, 4W, 60HZ			
HV	Three Phase	480/277, 4W, 60HZ			
<b>5 Alarm Option</b>					
X	None (standard)				
A	Dry Contact Output & Door-Mounted Status LED				
<b>6 Enclosure Option</b>					
XX	None (standard)				
S1	Select "S1" for ZTS 40-200 Amp				

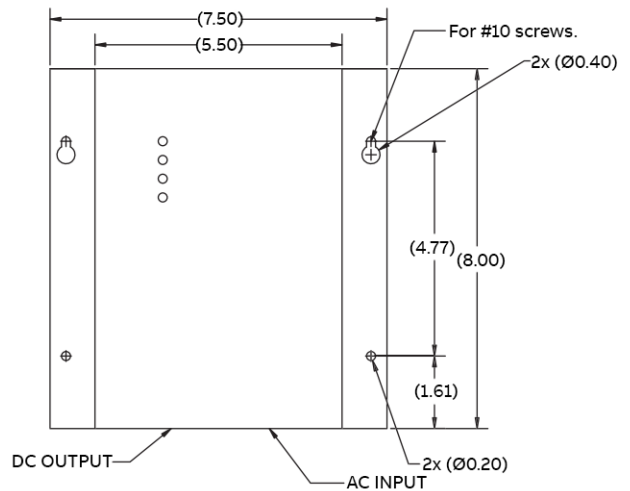
\* For additional voltages, please consult the factory



12VDC, 10 Amp Charger



12/24VDC, 3 Amp Charger



24VDC, 10 Amp Charger

---

**ABB Zenith Controls, Inc.**  
305 Gregson Drive  
Cary, NC 27511  
**24-hour support:**  
ABB Technical Services  
+1 (800) 637-1738

