



# GE Power Inlets

GE power inlets for portable and outdoor generators are used in conjunction with a generator panel, a load center with an interlock kit, or a manual transfer switch for stand-by power. They provide an inlet in a single enclosure that provides maximum protection against weather and normal field use.

## The line includes:

- T020N 20 Amp,  
L14-20 Twist Lock
- T030N 30 Amp,  
L14-30 Twist Lock
- T050N 50 Amp,  
L14-50 Twist Lock



## Technical Data

- All-in-one construction with factory-assured terminations saves costly installation time
- G90 galvanized steel with superior electro-deposition paint finish provides excellent corrosion protection
- Rolled edge door for cord protection
- Cover design allows cords connection while maintaining NEMA 3R integrity
- Padlock provision helps prevent unauthorized access
- Dead front construction prevents accidental contact with live parts



Catalog Number	Receptacles	Amps	Volts	UL	Dimensions (in)		
					A	B	C
T020N	L14-20	20					
T030N	L14-30	30	120/240	Canada, US	14 3/8	6 3/4	5 3/16
T050N	L14-50	50					

## Dimensions & Knockouts

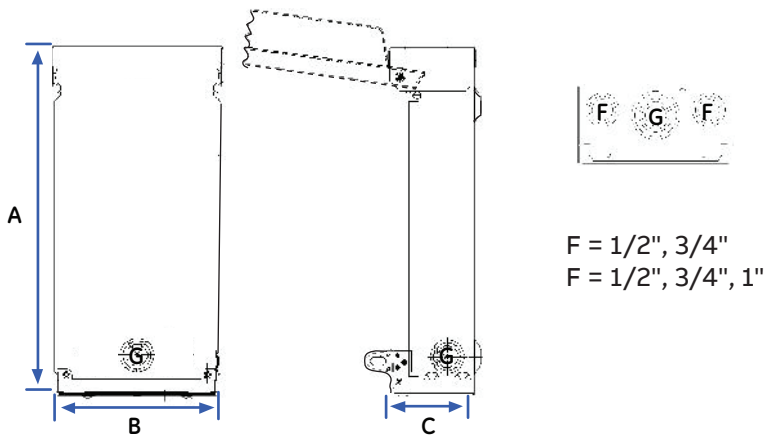


ABB Inc  
 305 Gregson Drive  
 Cary, NC 27511  
[www.electrification.us.abb.com](http://www.electrification.us.abb.com)

© Copyright 2019 ABB. All rights reserved.  
 Information provided is subject to change without notice. Please verify all details with ABB. All values are design or typical values when measured under laboratory conditions, and ABB makes no warranty or guarantee, express or implied that such performance will be obtained under end-use conditions.

GE is a trademark of GE. Manufactured under trademark license