



Product Specification

Tranquell Wall Mounted Surge Protective Device (SPD)

Low Exposure - Rated 25kA to 50kA Per Mode

STANDARDS

UL 1449 3rd Edition

CSA C22.2 (cUL)

ANSI/IEEE C62.41.1-2002, C62.41.2-2002,
C62.45 - 2002

IEEE 1100-2005

IEEE C62.62

IEEE C62.72

NEMA LS-1 - 1992 (R2000)

ANSI/NFPA70, NEC (Article 285)

ELECTRICAL

Maximum Surge Current

The maximum surge current rating based on the 8/20 μ s test waveform is as follows. The rating is based on testing of a **complete** SPD unit **including fuses** and all components that make up the SPD system are expressed per **mode**.

Part Number	Mode L-N	Mode N-G	Mode L-G	Mode L-L	Phase (L-N + L-G)
TLExxxx025WM*	25kA	25kA	25kA	25kA	50kA
TLExxxx050WM*	50kA	50kA	50kA	50kA	100kA

* See Model Number Suffix Descriptions Table

Maximum Continuous Operating Voltage (MCOV)

115% of nominal system voltage or greater. 125% on 120 volt L-N/G models.

Minimum Repetitive Surge Current Capacity

The Tranquell LE Series 25kA - 65kA rated device is capable of surviving the following impulses, at one-minute intervals, without failure and with less than 10% change in protective characteristics.

IEEE C62.41 Category C3 (High) Exposure Level, 10kA / 8x20 μ s:

3,500 impulses

UL 1449 Nominal Discharge Current Rating (In)

10kA

UL Fault Current Withstand Rating / Short Circuit Current Rating (SCCR)

65,000A

SPD Type / Recommended Locations

Secondary Distribution Equipment, Branch Panels - Rated for UL and NEC 2008 Type 2 Installation Locations

UL-1449, 3rd Edition Voltage Protection Rating (VPR)

UL 1449 3rd Edition Voltage Protection Ratings (VPR)				
Model Voltage Type	L-N	L-G	N-G	L-L
TLE120S	600	600	600	1000
TLE120Y	600	600	600	1000
TLE220Y	1200	1000	1200	1800
TLE240D	n/a	900	n/a	1800
TLE240H	600 / 1200HL	1200 / 1000HL	600	1000 / 1800HL
TLE240Y	1200	1000	1200	1800
TLE277Y	1200	1000	1200	1800
TLE480D	n/a	1800	n/a	4000

UL-1449, 2nd Edition Suppression Voltage Rating (SVR) & Clamping Voltages (all measured with 6" leads)

Part Number	System Voltage	System Configuration	MCOV Vrms	UL-1449 SVR 6kV / 500A		
				L-N	N-G	L-G
TLE120SxxxWM	120/ 240	1P3W+G	150	500	500	500
TLE120YxxxWM	120/ 208	3P4W+G	150	500	500	500
TLE220YxxxWM	220/ 380	3P4W+G	320	800	800	800
TLE240DxxxWM	240	3P3W	270	-	-	800
TLE240HxxxWM	240 HL	3P4W+G	150 270 HL	500 800HL	500	500 800HL
TLE240YxxxWM	240/ 415	3P4W+G	320	800	800	800
TLE277YxxxWM	277/ 480	3P4W+G	320	800	800	800
TLE480DxxxWM	480	3P3W	550	-	-	1500

*SVR ratings are no longer assigned by UL and are provided for reference purposes only.

VPR ratings now supersede SVR ratings per UL 1449 3rd Edition Standard, effective Sept. 29, 2009.

Fusing

Patented thermal fuse technology (US patent number 6,282,073). Fuses included in surge path for all design tests.

Standard Monitoring

The SPD is monitored with a green indicating light.

Contacts for remote monitoring (5 amp, 125VAC)

Connection

GE TLE Series SPDs are equipped with No. 10 AWG copper leads for connection to the electrical system supply. A 30 amp breaker is required as a local disconnect means.

Application Options

Suffix	NEMA Rating	Description	Mounting	UL SPD Type
WM	Type 12	Painted Steel	Surface	Type 2
WM4	Type 4X	Fiberglass	Surface	Type 2
WMF	Type 12	Painted Steel	Flush	Type 2

Environmental and External Conditions

Temperature -40°F (-40°C) to +158°F (+70°C)

Surface Temperature Less than 131°F (55°C)

Noise No Audible Noise

Operating Altitude 0 - 12,000 ft (3.66 km)

Humidity 0 -95% RH

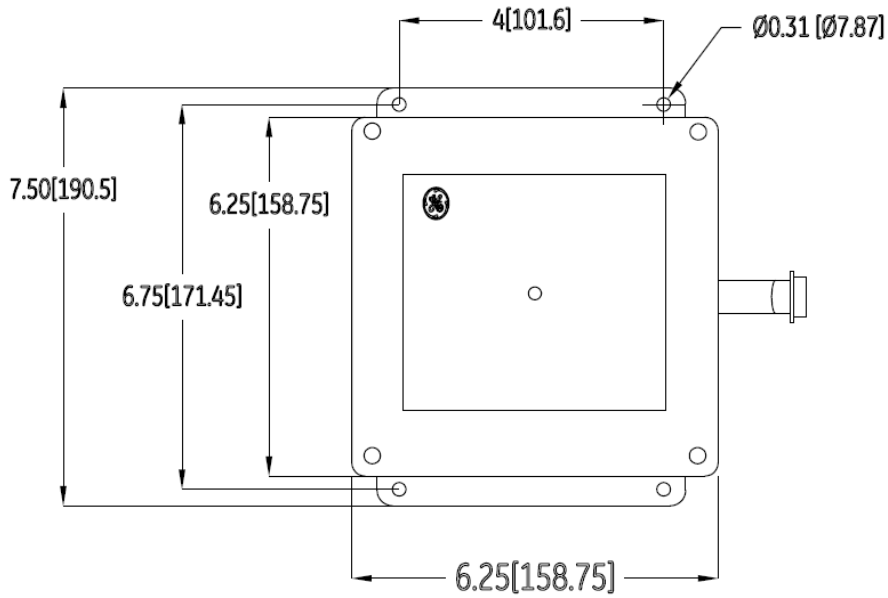
Frequency 50/60 Hz

Warranty

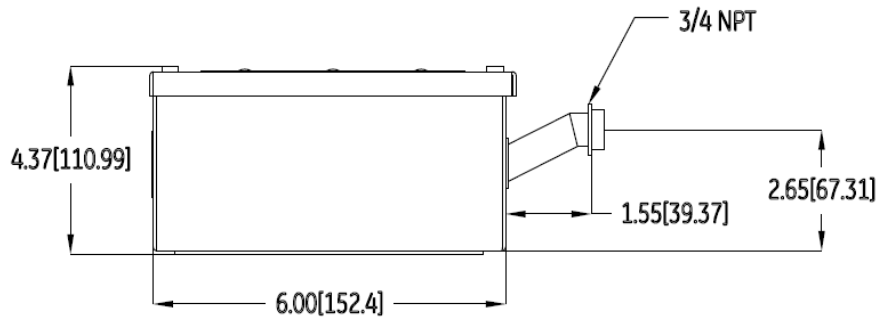
Standard GE Terms and Conditions cover the GE SPD for a period of 5 years.

DIMENSIONS

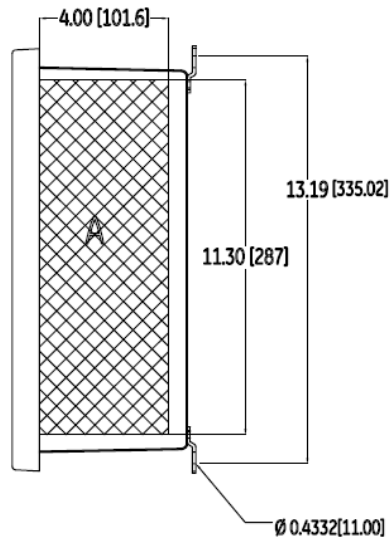
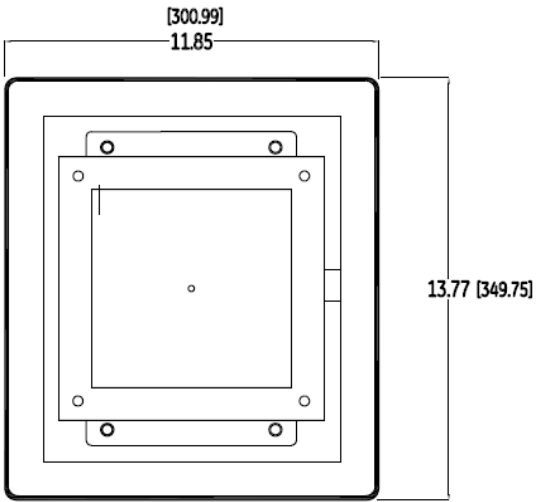
WM Model Types



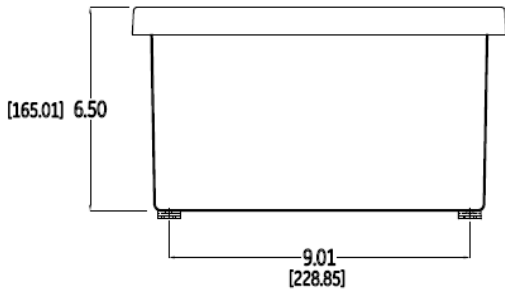
NOTE: UNITS ARE IN INCH[MM]



WM4 Model Types

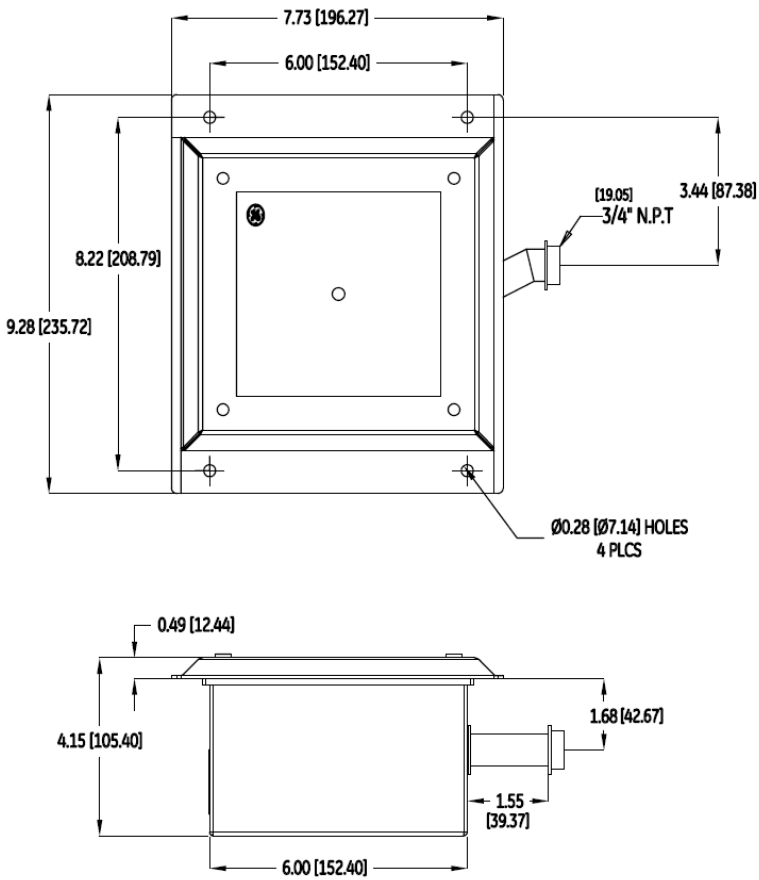


NOTE : DIMENSIONS ARE IN INCH [MM]

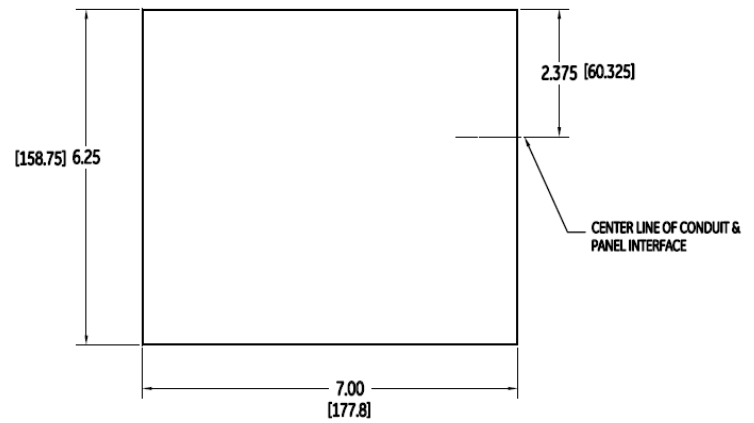


A = RECOMMENDED CONDUIT ENTRY AREA

WMF Model Types



NOTE : DIMENSIONS ARE IN INCH [MM]



WALL CUT OUT SIZE



GE Critical Power
 601 Shiloh Road, Plano TX 75074
 +1 877 546 3243
 Services: +1 800 637 1738
www.gecriticalpower.com
 Information subject to change without notice.