



Product Specification

Tranquell Wall Mounted Surge Protective Device (SPD)

Medium Exposure - Rated 65kA to 100kA Per Mode

STANDARDS

UL 1449 3rd Edition

UL 1283

UL 96A

CSA C22.2 (cUL)

ANSI/IEEE C62.41.1-2002, C62.41.2-2002,

C62.45 - 2002

IEEE 1100-2005

IEEE C62.62

IEEE C62.72

NEMA LS-1 - 1992 (R2000)

MIL-STD-220B

ANSI/NFPA70, NEC (Article 285)

ELECTRICAL

Maximum Surge Current

The maximum surge current rating based on the 8/20 μ s test waveform is as follows. The rating is based on testing of a **complete** SPD unit **including fuses** and all components that make up the SPD system are expressed per **mode**.

Mode L-L	Mode L-N	Mode N-G	Mode L-G	Mode L-L	Phase (L-N + L-G)
TMExxxx065WM*	65kA	65kA	65kA	65kA	130kA
TMExxxx080WM*	80kA	80kA	80kA	80kA	160kA
TMExxxx100WM*	100kA	100kA	100kA	100kA	200kA

* See Model Number Suffix Descriptions Table

Maximum Continuous Operating Voltage (MCOV)

115% of nominal system voltage or greater. 125% on 120 volt L-N/G models.

Minimum Repetitive Surge Current Capacity

The Tranquell ME Series 65kA - 100kA rated device is capable of surviving the following impulses, at one-minute intervals, without failure and with less than 10% change in protective characteristics.

IEEE C62.41 Category C3 (High) Exposure Level, 10kA / 8x20 μ s:

5,000 impulses

500V/2kA, 10x1000 μ s

5,000 impulses

UL 1449 Nominal Discharge Current Rating (In)

20kA - Rated for use on UL 96A Lightning Protection Systems

UL Fault Current Withstand Rating / Short Circuit Current Rating (SCCR)

65,000A

SPD Type / Recommended Locations

Service Entrance Equipment, Primary Distribution Equipment - Rated for UL and NEC 2008 Type 2 Installation Locations

UL-1449, 3rd Edition Voltage Protection Rating (VPR)

UL 1449 3rd Edition Voltage Protection Ratings (VPR)				
Model Voltage Type	L-N	L-G	N-G	L-L
TME120S	900	1000	900	1500
TME120Y	900	1000	900	1500
TME220Y	1500	1500	1500	2500
TME240D	n/a	1500	n/a	2000
TME240H	900 / 1500HL	1000 / 1500HL	900	1500 / 2500HL
TME240Y	1500	1500	1500	2500
TME277Y	1500	1500	1500	2500
TME480D	n/a	1800	n/a	4000

UL-1449, 2nd Edition Suppression Voltage Rating (SVR) & Clamping Voltages (all measured with 6" leads)

Part Number	System Voltage	System Configuration	MCOV (V) L-N/G	UL-1449 SVR* 6kV / 500A			Cat. A3 100kHz L-N / L-G	Cat. B3/C1 6kV / 3kA L-N / L-G	Cat. C2 10kV / 5kA L-N / L-G	Cat. C3 20kV / 10kA L-N / L-G
				L-N	N-G	L-G				
TME120SxxxWM	120/ 240	1P3W+G	150	400	400	400	347	408	438	469
TME120YxxxWM	120/ 208	3P4W+G	150	400	400	400	347	408	438	469
TME220YxxxWM	220/ 380	3P4W+G	270	900	1500	800	688	843	862	957
TME240DxxxWM	240	3P3W	270	-	-	700	-	-	-	-
TME240HxxxWM	240 HL	3P4W+G	150 270 HL	400 700HL	400	400 700HL	-	-	-	-
TME240YxxxWM	240/ 415	3P4W+G	320	900	1500	800	688	843	862	957
TME277YxxxWM	277/ 480	3P4W+G	320	900	1500	800	688	843	862	957
TME480DxxxWM	480	3P3W	550	-	-	1500	-	-	-	-

*SVR ratings are no longer assigned by UL and are provided for reference purposes only.

VPR ratings now supersede SVR ratings per UL 1449 3rd Edition Standard, effective Sept. 29, 2009.

EMI –RFI Filtering / Noise Attenuation / Sinewave Tracking

The SPD device EMI-RFI noise rejection or attenuation value is measured in accordance with the procedures outlined in NEMA LS 1-1992/MIL –STD-220B.

Noise Filter Capability (50kHz - 100MHz) Max –44db attenuation.

Fusing

UL Recognized 200kAIC Surge Rated Fuses (VSP100) in combination with patented thermal fuse technology (US patent number 6,282,073). Fuses included in surge path for all design tests.

Standard Monitoring

The SPD is monitored with a green indicating light per each phase.

Contacts for remote monitoring (2 amp, 125VAC)-(1 AMP, 30 VDC)

Connection

GE TME Series SPDs are equipped with No. 10 AWG copper leads for connection to the electrical system supply. A 30 amp breaker is required as a local disconnect means.

Model Number Suffix Descriptions

Suffix	NEMA Rating	Description	Mounting	UL SPD Type
WM	Type 12	Painted Steel	Surface	Type 2
WM4	Type 4X	Fiberglass	Surface	Type 2
WMF	Type 12	Painted Steel	Flush	Type 2

Environmental and External Conditions

Temperature -40°F (-40°C) to +149°F (+65°C)
Surface Temperature Less than 131°F (55°C)
Noise No Audible Noise

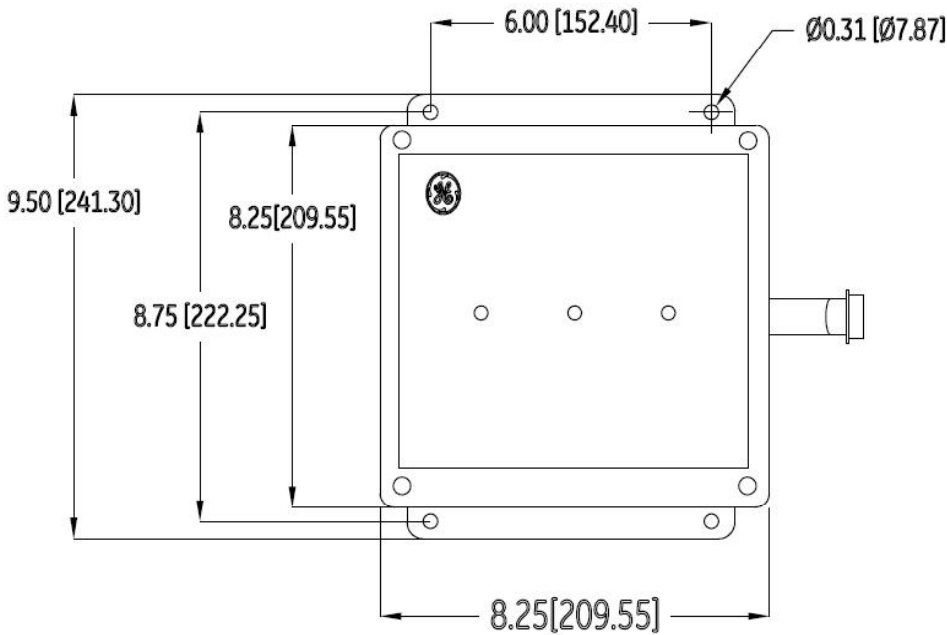
Operating Altitude 0 - 12,000 ft (3.66 km)
Humidity 0 -95% RH
Frequency 50/60 Hz

Warranty

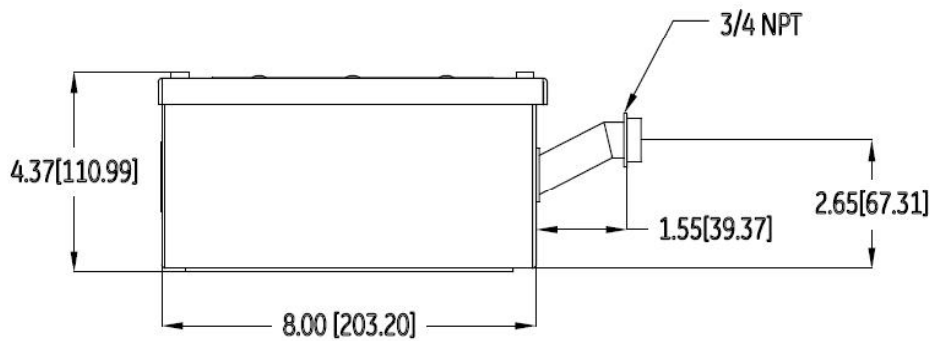
Standard GE Terms and Conditions cover the GE SPD for a period of 5 years.

DIMENSIONS

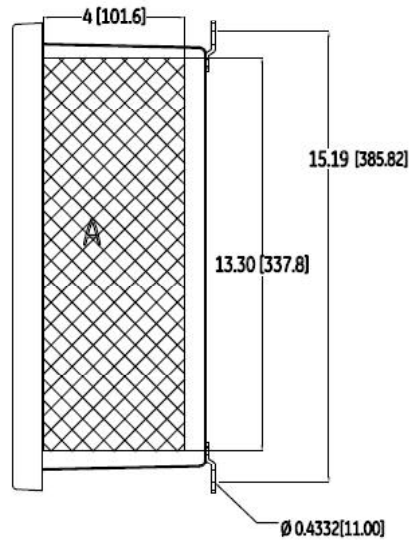
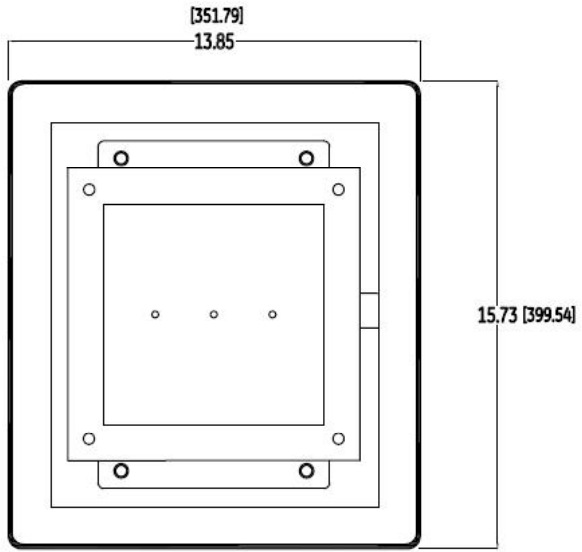
WM Model Types



NOTE: UNITS ARE IN INCH[MM]

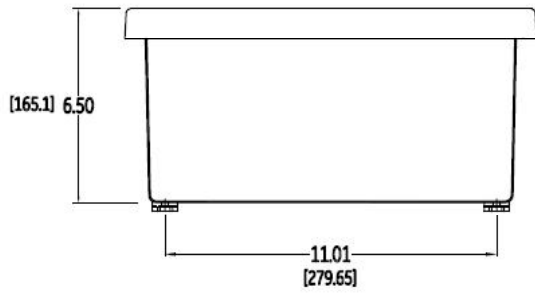


WM4 Model Types

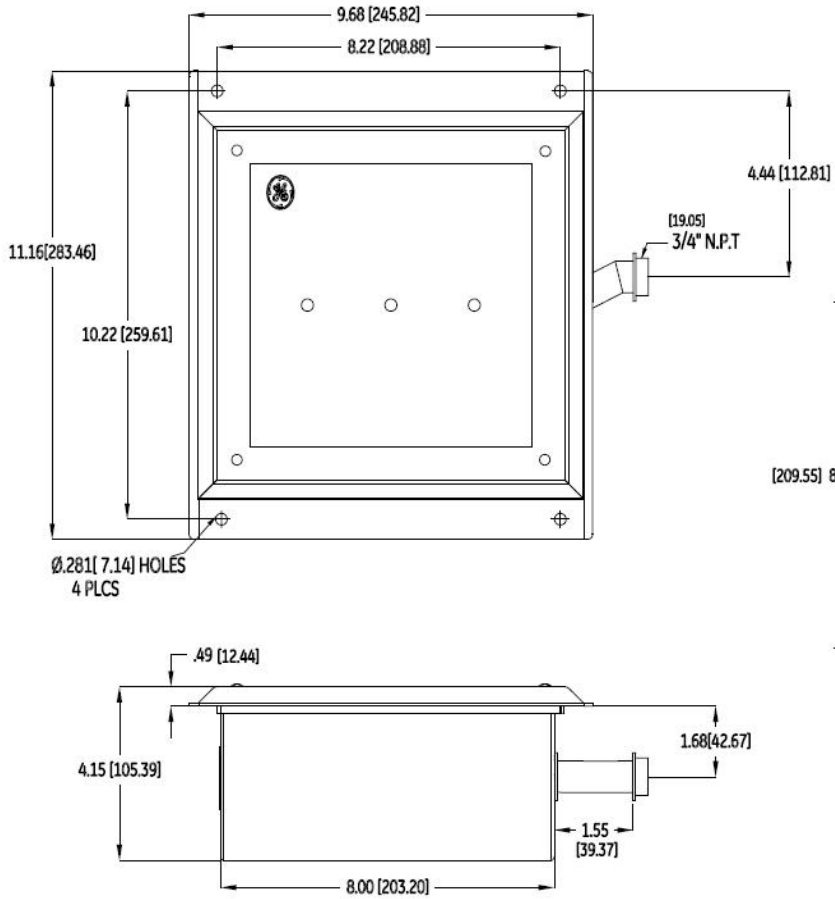


NOTE : DIMENSIONS ARE IN INCH [MM]

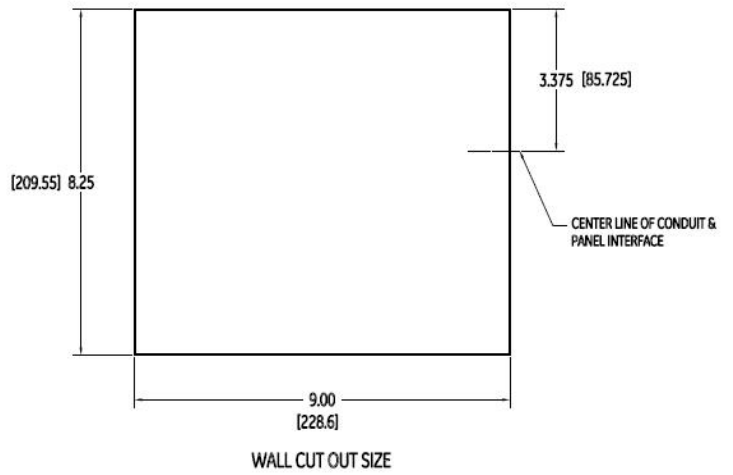
A= RECOMMENDED CONDUIT ENTRY AREA



WMF Model Types



NOTE : DIMENSIONS ARE IN INCH [MM]



GE Digital Energy – Power Quality
 830 W 40th Street, Chicago, IL 60609 USA
 800 637 1738 www.gepowerquality.com
 Information subject to change without notice.
 Please verify all details with GE.
 © 2009 General Electric Company All Rights Reserved