

UL-1449, 2nd Edition Suppression Voltage Rating (SVR) & Clamping Voltages (all measured with 6" leads)

UL 1449 2nd Edition Suppressed Voltage Ratings (SVR)				
Model Voltage Type	L-N	L-G	N-G	L-L
TPHE120S	500	500	500	800
TPHE120Y	500	500	500	800
TPHE220Y	800	900	800	1500
TPHE240D	n/a	700	n/a	1500
TPHE240H	500 / 800HL	500 / 800HL	500	1000
TPHE240Y	800	900	800	1500
TPHE277Y	800	900	800	1500
TPHE347Y	1200	1200	1200	2000
TPHE480D	n/a	1500	n/a	3000

IEEE C62.41 Clamping Voltages - Model types with integral surge rated disconnect switch

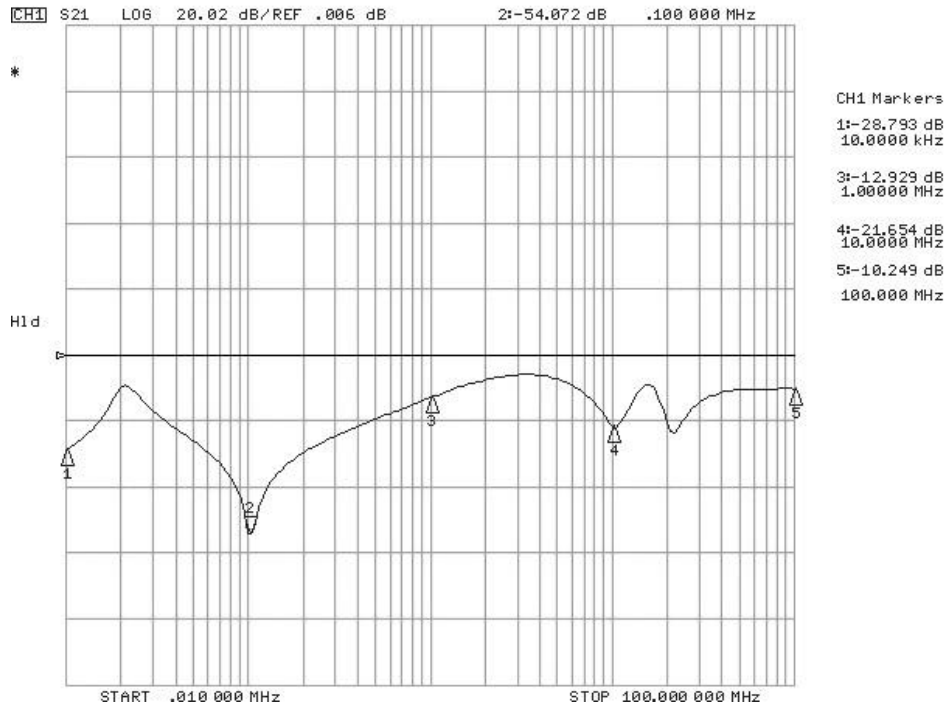
Model Type	Cat. B3 Ringwave 100kHz / 500A				Cat. B3/C1 Combination Wave 6kV / 3kA				Cat. C3 Combination Wave 20kV / 10kA			
	L-N	L-G	N-G	L-L	L-N	L-G	N-G	L-L	L-N	L-G	N-G	L-L
TPHE120S	470	463	452	752	600	485	476	844	793	670	680	1007
TPHE120Y	470	463	452	752	600	485	476	844	793	670	680	1007
TPHE220Y	763	836	828	1393	1053	893	880	1597	1170	1073	1180	1827
TPHE240D	n/a	750	n/a	1240	n/a	763	n/a	1453	n/a	890	n/a	1640
TPHE240H	465	466	476	1025	600	498	476	1025	775	670	680	1163
TPHE240Y	763	836	828	1393	1053	893	880	1597	1170	1073	1180	1827
TPHE277Y	763	836	828	1393	1053	893	880	1597	1170	1073	1180	1827
TPHE347Y	883	1000	1000	1723	1187	1113	1120	2020	1467	1240	1240	2220
TPHE480D	n/a	1223	n/a	1800	n/a	1407	n/a	2647	n/a	1607	n/a	2933

IEEE C62.41 Clamping Voltages - Model types without integral surge rated disconnect switch

Model Type	Cat. B3 Ringwave 100kHz / 500A				Cat. B3/C1 Combination Wave 6kV / 3kA				Cat. C3 Combination Wave 20kV / 10kA			
	L-N	L-G	N-G	L-L	L-N	L-G	N-G	L-L	L-N	L-G	N-G	L-L
TPHE120S	441	443	440	719	507	440	444	779	673	547	564	883
TPHE120Y	441	443	440	719	507	440	444	779	673	547	564	883
TPHE220Y	727	800	792	1340	920	853	850	1543	993	937	1000	1667
TPHE240D	n/a	733	n/a	1207	n/a	720	n/a	1413	n/a	840	n/a	1547
TPHE240H	437	438	440	789	496	436	444	958	670	548	564	1093
TPHE240Y	727	800	792	1340	920	853	850	1543	993	937	1000	1667
TPHE277Y	727	800	792	1340	920	853	850	1543	993	937	1000	1667
TPHE347Y	832	967	970	1657	1120	1067	1070	1977	1420	1180	1180	2067
TPHE480D	n/a	1177	n/a	1643	n/a	1380	n/a	2607	n/a	1547	n/a	2880

Noise Attenuation

The TVSS device EMI-RFI noise rejection or attenuation value is measured in accordance with the procedures outlined in NEMA LS 1-1992/MIL -STD-220B. Noise Filter Capability: -50db minimum @ 100kHz.



Fusing

Individually fused Thermally Protected MOV Technology.

Standard Monitoring

The TVSS is monitored with a green indicating light per each phase, and red service light.
Audible alarm with silencer & test switch
Contacts for remote monitoring (2 amp, 125VAC)-(1 AMP, 30 VDC)
6 Digit LCD re-settable surge event counter

Connection

2/0 Single Pressure Wire Lugs. Minimum 6 AWG wire required. 60A - 100A dedicated breaker recommended as a means of disconnect for models without integral surge rated disconnect switch.

Surge Rated Disconnect

Standard Equipped on WMN1 and WMN4 suffix models types.

Enclosure Options

Suffix	NEMA Rating	Description	Mounting	Disconnect
WMN1	Type 1	Painted Steel	Surface	Yes
WMN 12S	Type 12	Painted Steel	Surface	No
WMN 12F	Type 12	Painted Steel	Flush	No
WMN 4	Type 4X	Fiberglass	Surface	Yes
WMN 4S	Type 4	Painted Steel	Surface	No
WMN 4X	Type 4X	Stainless Steel	Surface	No

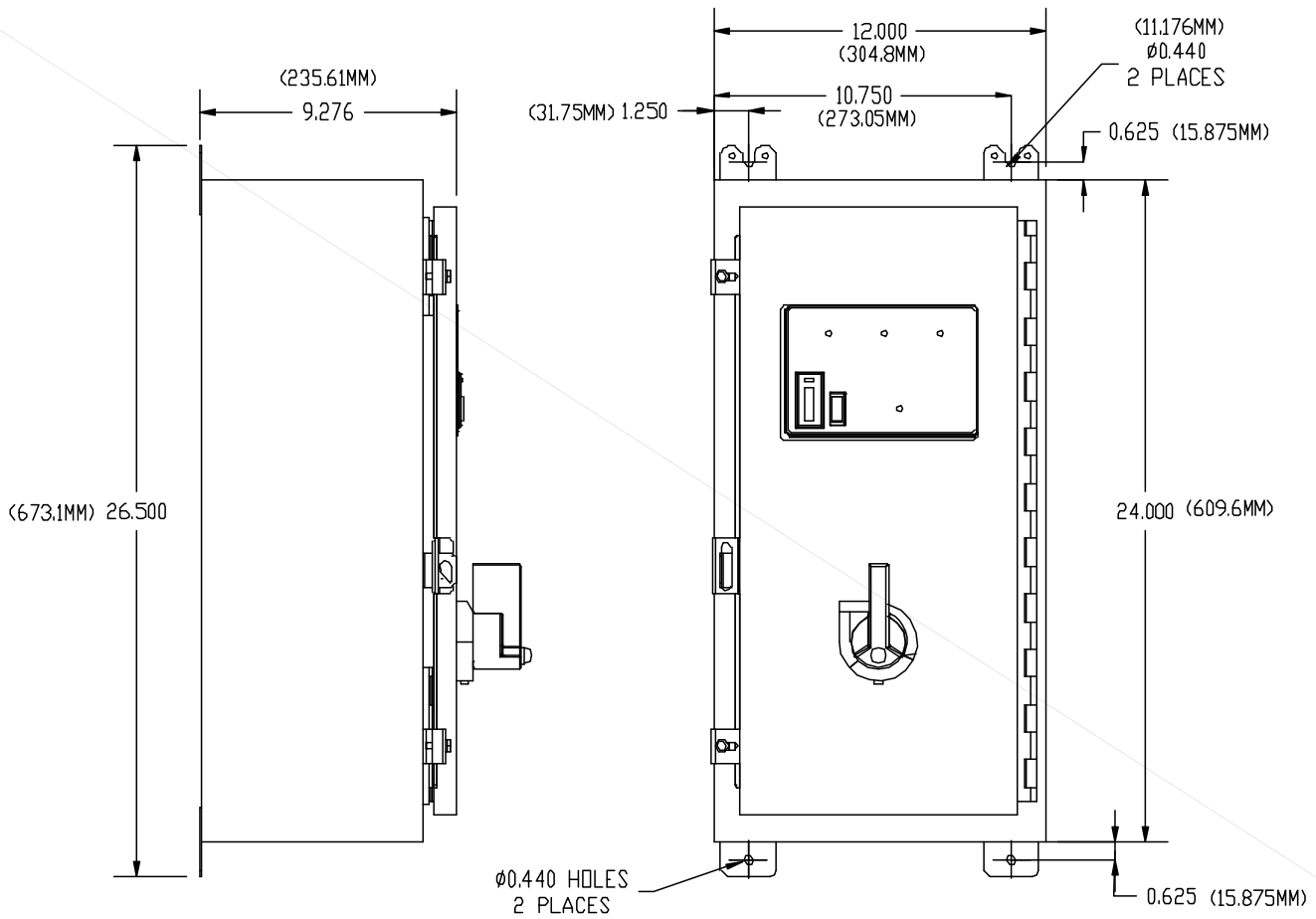
Environmental and External Conditions

Temperature	-40°C to +65°C	Operating Altitude	0 - 12,000 ft
Surface Temperature	less than 55°C	Humidity	95% RH, non-condensing atmosphere
No Audible Noise		Frequency	50-60 Hz

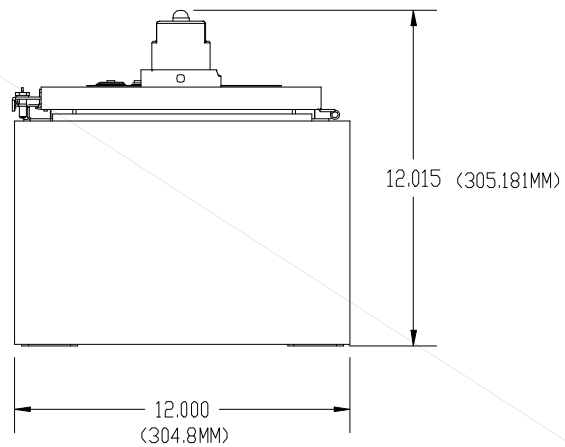
Warranty

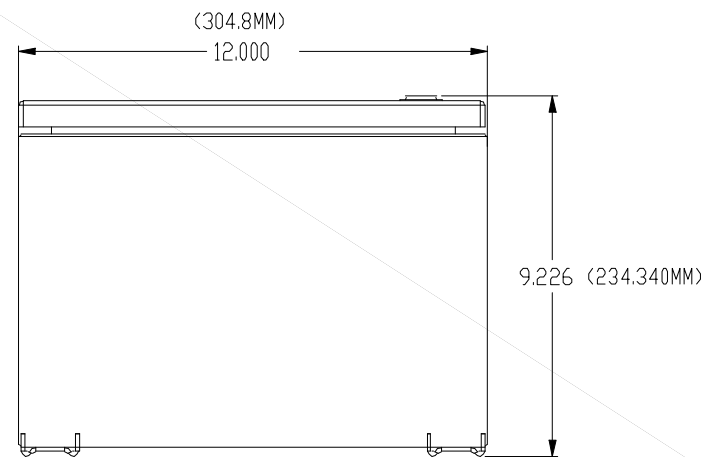
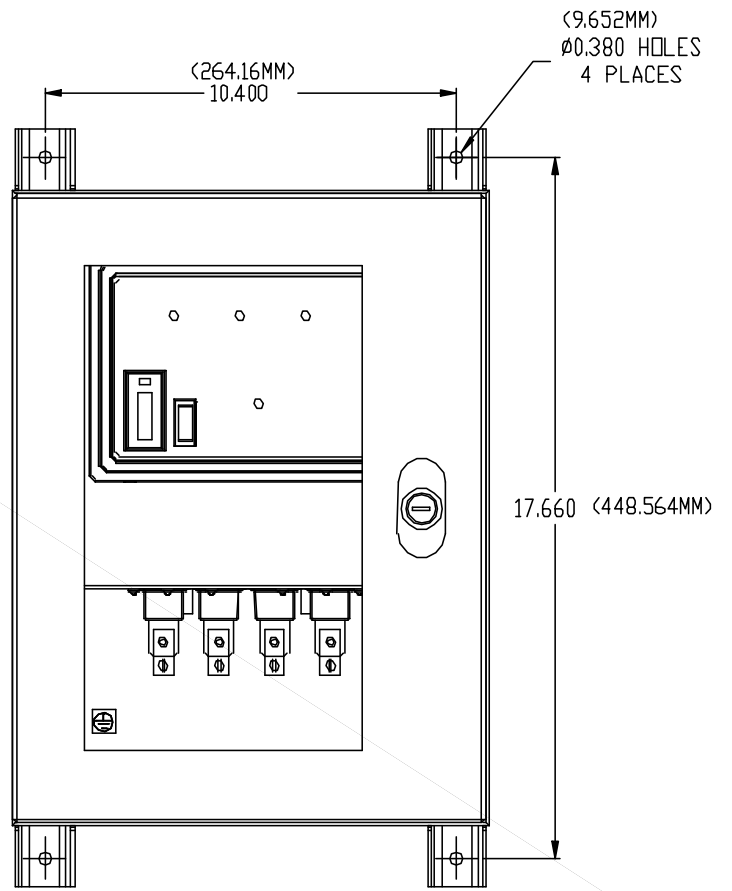
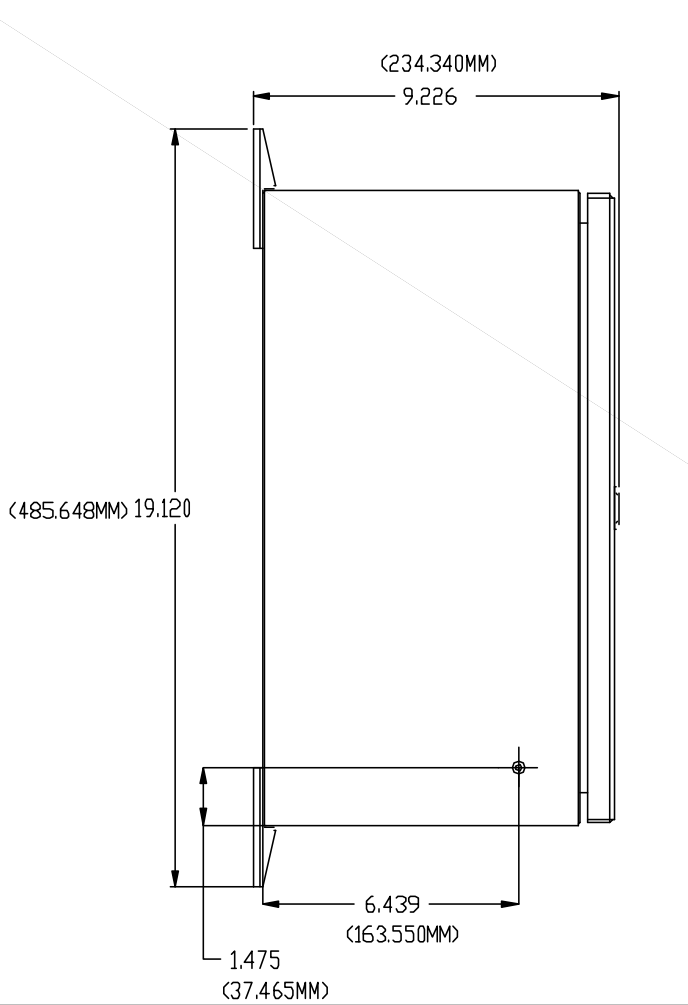
Standard GE Terms and Conditions cover the GE TVSS for a period of 5 years.

DIMENSIONS

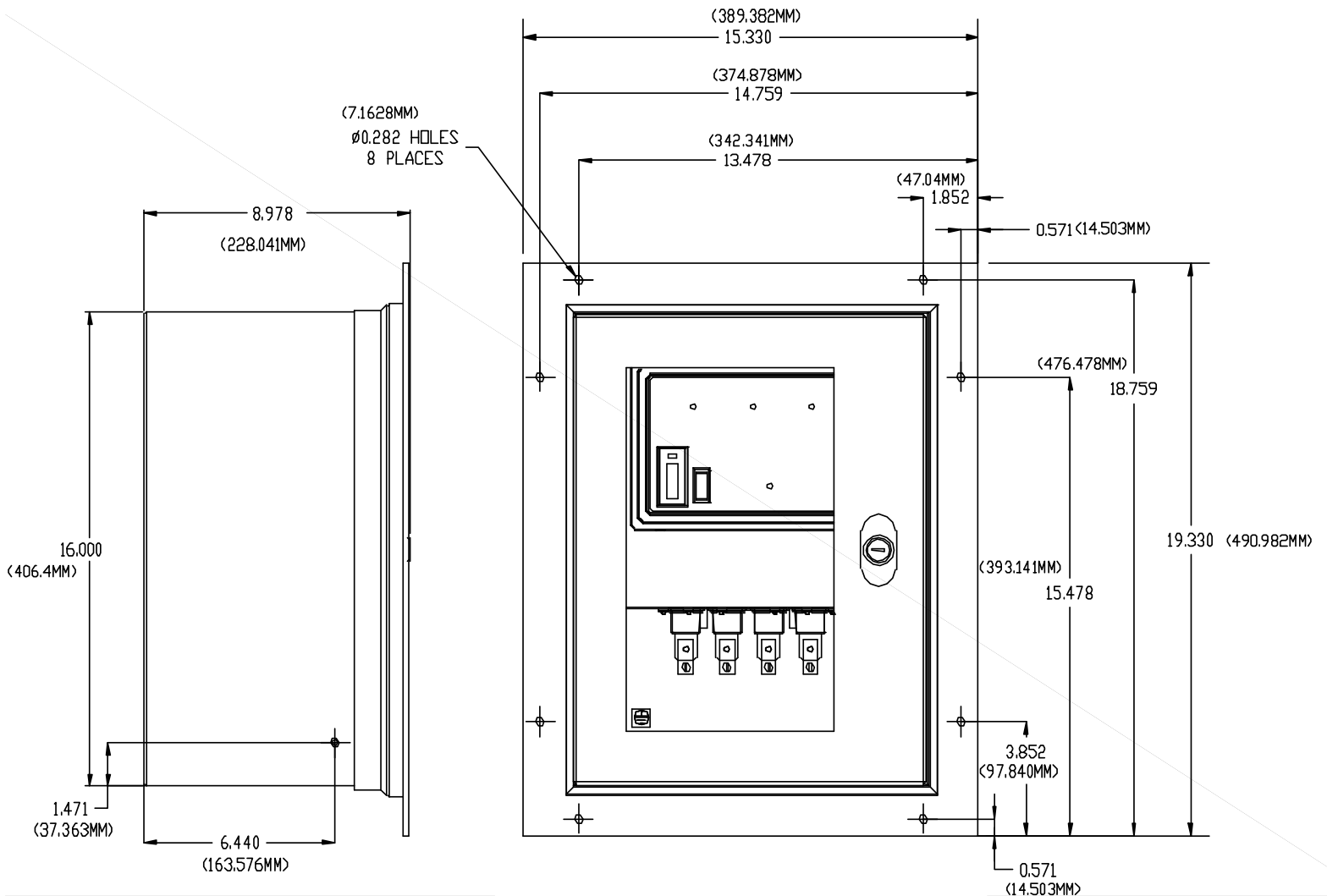


Model Type:
WMN1

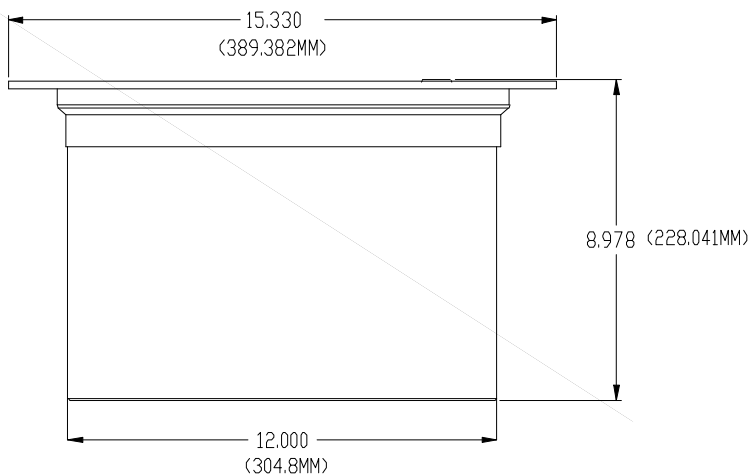


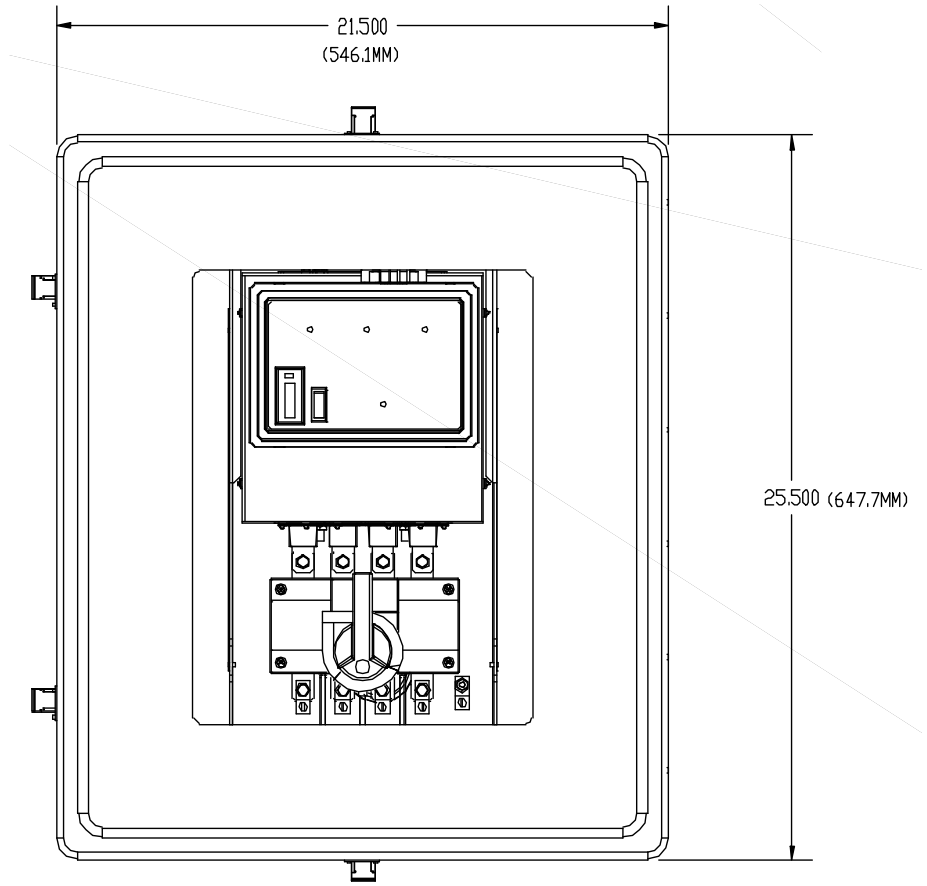
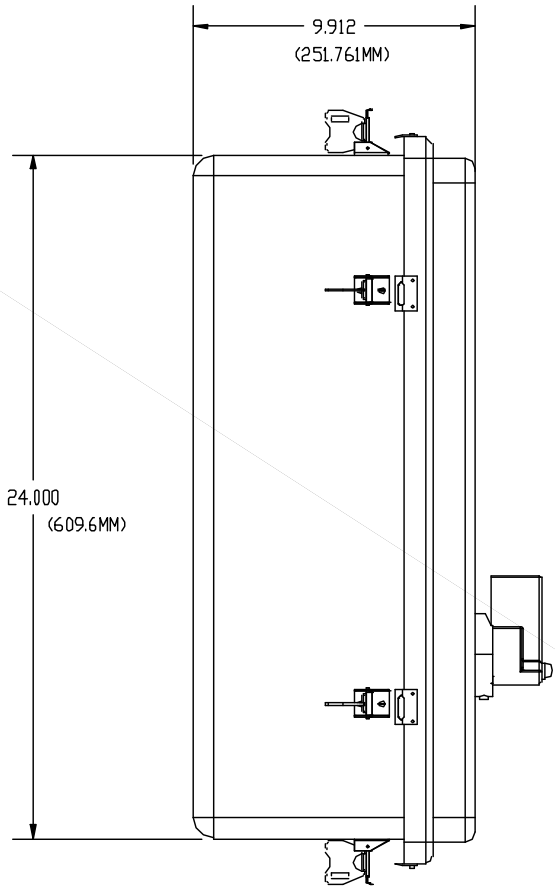


Model Types:
WMN12S
WMN4S
WMN4X



**Model Type:
WMN12F**





**Model Type:
WMN4**

