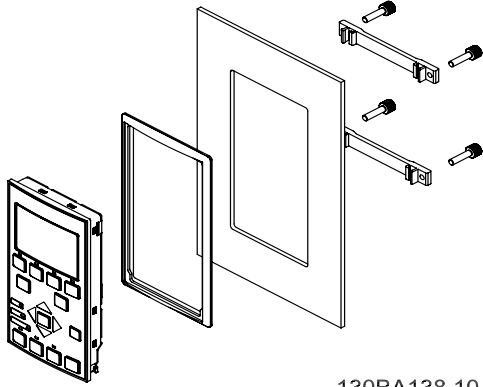




## AF-650 GP & AF-600 FP Drives

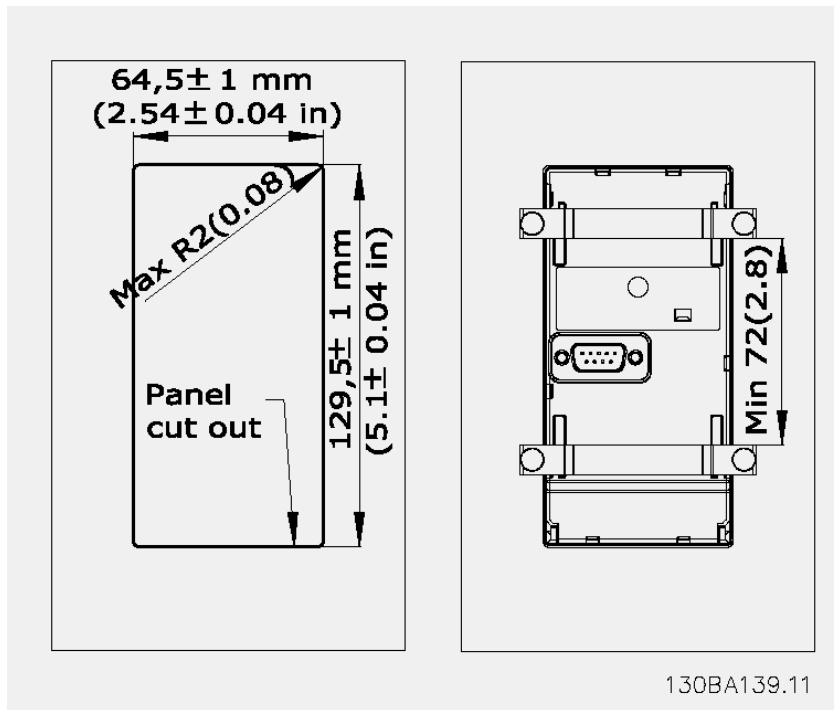
### Remote Mounting Kit for graphical LCD Keypad



**GE Model # RMKYPDAC**

Remote Mounting Kit for graphical LCD Keypad, 3 m cable and gasket.

### Installation and Mounting Instructions



130BX338.10



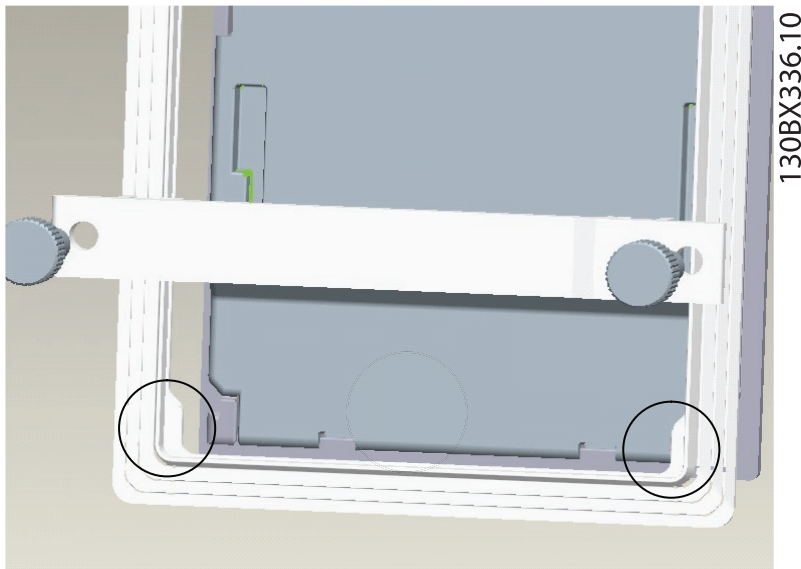
---

## AF-650 GP & AF-600 FP Drives

---

### NOTE!

Use the remote built in kit to move the keypad to the front of a cabinet. The enclosure is IP65.  
Let the gasket prongs slip under the edge of the keypad as illustrated below. Tighten the fastening screws with a torque of 0.14-0.16 Nm (or as a rule of thumb, two turns after the screw has made contact).



The instructions do not purport to cover all details or variations in equipment nor to provide for every possible contingency to be met in connection with installation, operation or maintenance. Should further information be desired or should particular problems arise which are not covered sufficiently for the purchaser's purposes, the matter should be referred to the GE company.

AF-600 FP is a trademark of the General Electric Company.

GE  
41 Woodford Avenue  
Plainville, CT 06062

[www.geelectrical.com/drives](http://www.geelectrical.com/drives)



imagination at work

