



GE RV Park Power Equipment





GE1LU502SS
Unmetered Surface Mount



Unmetered
Surface Mount



GE1LM502SS
Ring-Type Metered Surface Mount



Unmetered,
Earth Burial
Pedestal

Unmetered Surface Mount

Model Number	Heads	Receptacles	Circuit Protection	Amps	Volts	Wire Range
GE1LU032SS	1	30/20GFCI	THQL1130, THQL1120	100	120/240	W
GE1LU502SS		50/20GFCI	THQL2150, THQL1120	70		P
GE1LU532SS		50/30/20GFCI	THQL2150, THQL1130, THQL1120	100		W

Ring-Type Metered Surface Mount

Model Number	Heads	Receptacles	Circuit Protection	Amps	Volts	Wire Range
GE1LM032SS	1	30/20GFCI	THQL1130, THQL1120	100	120/240	AA
GE1LM502SS		50/20GFCI	THQL2150, THQL1120	70		
GE1LM532SS		50/30/20GFCI	THQL2150, THQL1130, THQL1120	100		

Unmetered Padmount Pedestal

Model Number	Heads	Receptacles	Circuit Protection	Amps	Volts	Wire Range
GE1LU532PB	2	50/30/20GFCI	THQL2150, THQL1130, THQL1120	100	120/240	S
GE1LU532PS	1	50/30/20GFCI	THQL2150, THQL1130, THQL1120			T2
GE1LU532PSL ¹	1	50/30/20GFCI	THQL2150, THQL1130, THQL1120			T2

¹Lighted Unit

Unmetered Earth Burial Pedestal

Model Number	Heads	Receptacles	Circuit Protection	Amps	Volts	Wire Range
GE1LU032ES	1	30/20 GFCI	THQL1130, THQL1120	70	120/240	T2
GE1LU032ESL ¹	1	30/20 GFCI	THQL1130, THQL1120	70		T2
GE1LU532EB	2	50/30/20 GFCI	THQL2150, THQL1130, THQL1120	100		S
GE1LU532ES	1	50/30/20 GFCI	THQL2150, THQL1130, THQL1120	100		T2
GE1LU532ESL ¹	1	50/30/20 GFCI	THQL2150, THQL1130, THQL1120	100		T2
GE1LU532ESG	1	50/30/20	THQL2150, THQL1130, THQL1120GF	100		T2

¹Lighted Unit

Ring-Type Metered Padmount Pedestal

Model Number	Heads	Receptacles	Circuit Protection	Amps	Volts	Wire Range
GE1LM532PS	1	50/30/20 GFCI	THQL2150, THQL1130, THQL1120	100	120/240	T2



GESFEM9
Stabilizer Foot Kit



GETTV100
TV/Telephone Kit



GEUH90G
Water Shroud



GE1LM032ES
Ring-Type
Metered Earth
Burial Pedestal

Ring-Type Metered Earth Burial Pedestal

Model Number	Heads	Receptacles	Circuit Protection	Amps	Volts	Wire Range
GE1LM032ES	1	30/20 GFCI	THQL1130, THQL1120	100	120/240	T2
GE1LM532EB	2	50/30/20 GFCI	THQL2150, THQL1130, THQL1120			S
GE1LM532ES	1	50/30/20 GFCI	THQL2150, THQL1130, THQL1120			T2
GE1LM532ESL ¹	1	50/30/20 GFCI	THQL2150, THQL1130, THQL1120			T2
GE1LM532ESG	1	50/30/20	THQL2150, THQL1130, THQL1120GF			T2

¹Lighted Unit

Accessories

Model Number	Description
GEFBEM9	Earth Burial Stabilizer Base (wire from back only)
GESFEM9	9" Stabilizer Foot Kit (wire from side or back)
GETTV100	Bolt-on TV//Telephone Kit – 5"x18" RJ11 Phone Jack, Padmount or Earth Burial
GEUH90G	Add-on Water Shroud – Adapts to 9" wide galvanized steel post, grey color
GEUWATER34	3/4" Hose Bib Faucet for Post Applications

Wire Range Tables

W

Connector	Copper		Aluminum	
	Solid	Strand	Solid	Strand
Line – Loop Feed	14-8	14-1/0	12-8	12-1/0
Load	14-10	14-10	–	–
Neutral – Large Hole	12-8	12-1/0	10-8	10-1/0
Neutral – Small Hole	14-8	14-4	12-8	12-4
Equipment Ground	12-8	12-2	12-8	12-2

P

Connector	Copper		Aluminum	
	Solid	Strand	Solid	Strand
Line	14-8	14-1/0	12-8	12-1/0
Load	14-10	14-10	–	–
Neutral – End Hole	14-8	14-2	12-8	12-2
Neutral – Side Hole	14-8	14-4	12-8	12-4
Equipment Ground	12-8	12-2	12-8	12-2

AA

Connector	Copper		Aluminum	
	Solid	Strand	Solid	Strand
Line	–	6-1/0	–	6-1/0
Load	14-10	14-10	–	–
Neutral – Large Hole	12-8	12-1/0	10-8	10-1/0
Neutral – Small Hole	14-8	14-4	12-8	12-4
Equipment Ground	12-8	12-2	12-8	12-2

S

Post Line Connectors (Suitable for Loop Feed)	Equipment Ground
#6-350 KCMIL CU/AL	#12-2 CU/AL

T2

Post Line Connectors (Suitable for Loop Feed)	Equipment Ground
#1-300 KCMIL CU/AL	#12-2 CU/AL

GE RV Park Power Equipment

Dimensions and Weights

Product Number	Enclosure	Unit Weight (lbs)	Dimensions (in.)	Height Above Grade
GE1LU032SS	N3R	14	17 (H) x 9.5 (W) x 5.2 (D)	N/A
GE1LU502SS	N3R	10	14 (H) x 7 (W) x 3.8 (D)	N/A
GE1LU532SS	N3R	16	17 (H) x 9.5 (W) x 5.2 (D)	N/A
GE1LM032SS	N3R	24	29.5 (H) x 9.5 (W) x 3.8 (D)	N/A
GE1LM502SS	N3R	25	29.5 (H) x 9.5 (W) x 3.8 (D)	N/A
GE1LM532SS	N3R	25	29.5 (H) x 9.5 (W) x 3.8 (D)	N/A
GE1LU532PB	N3R	62	40.6 (H) x 9.5 (W) x 4.7 (D)	N/A
GE1LU532PS	N3R	47	41.1 (H) x 9.5 (W) x 3.6 (D)	N/A
GE1LU532PSL	N3R	36	41.1 (H) x 9.5 (W) x 3.6 (D)	N/A
GE1LM532PS	N3R	59	53.6 (H) x 9.5 (W) x 3.6 (D)	N/A
GE1LU032ES	N3R	32	62 (H) x 7 (W) x 3.6 (D)	38.00
GE1LU032ESL	N3R	30	62 (H) x 7 (W) x 3.6 (D)	38.00
GE1LU532EB	N3R	62	65.1 (H) x 9.5 (W) x 8.4 (D)	41.10
GE1LU532ES	N3R	47	65.1 (H) x 9.5 (W) x 3.6 (D)	41.10
GE1LU532ESG	N3R	47	65.1 (H) x 9.5 (W) x 3.6 (D)	41.10
GE1LU532ESL	N3R	36	65.1 (H) x 9.5 (W) x 3.6 (D)	41.10
GE1LM032ES	N3R	53	77.6 (H) x 9.5 (W) x 3.6 (D)	53.60
GE1LM532EB	N3R	82	53.1 (H) x 9.5 (W) x 8.9 (D)	N/A
GE1LM532ES	N3R	59	77.6 (H) x 9.5 (W) x 3.6 (D)	53.60
GE1LM532ESG	N3R	59	77.6 (H) x 9.5 (W) x 3.6 (D)	53.60
GE1LM532ESL	N3R	59	77.6 (H) x 9.5 (W) x 3.6 (D)	53.60

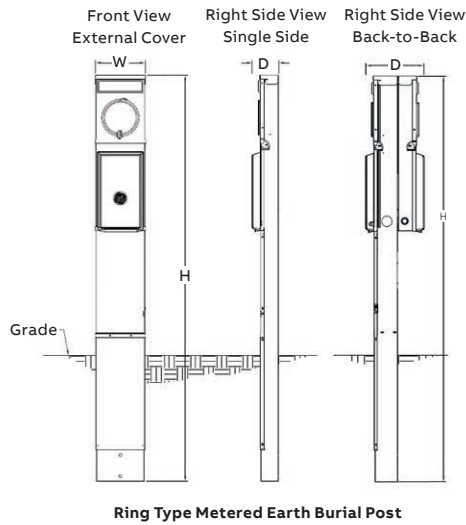
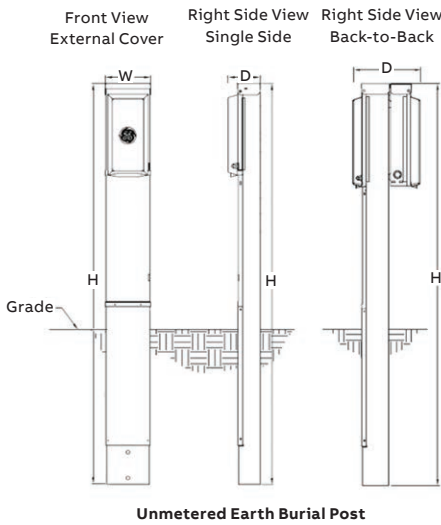
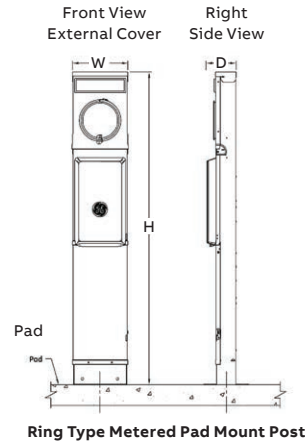
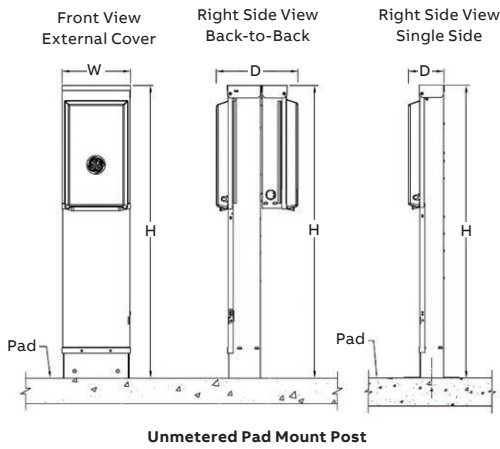
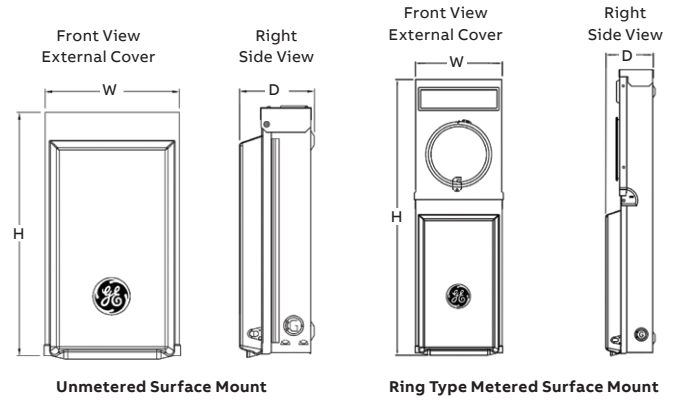


ABB Inc.
305 Gregson Drive
Cary, NC 27511

© Copyright 2019 ABB. All rights reserved
Information provided is subject to change without notice. Please verify all details with ABB. All values are design or typical values when measured under laboratory conditions, and ABB makes no warranty or guarantee, express or implied, that such performance will be obtained under end-use conditions.
GE is a registered trademark used under license from General Electric company.