



DeviceNet Module

User Manual

1 Important User Information

Observe all necessary safety precautions when controlling the soft starter remotely. Alert personnel that machinery may start without warning. It is the installer's responsibility to follow all instructions in this manual and to follow correct electrical practice.

2 Installation

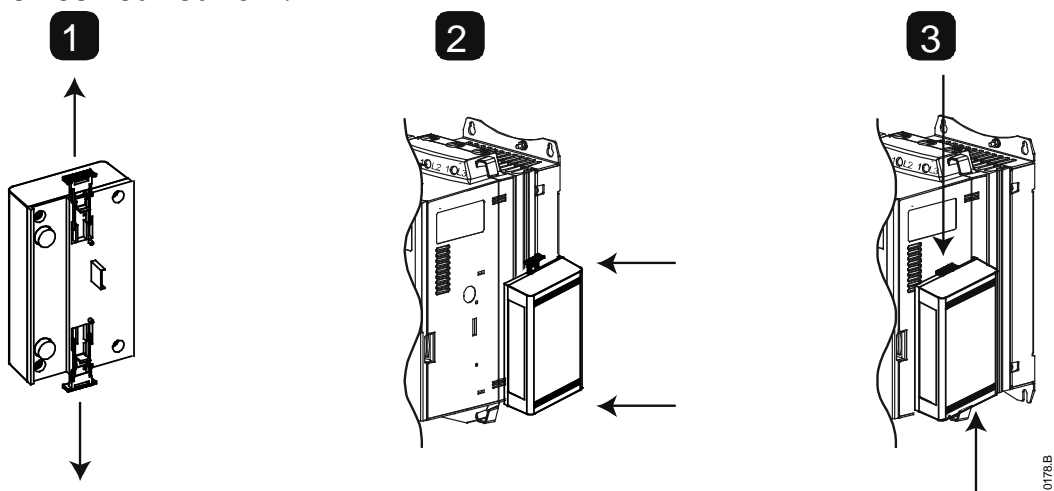


CAUTION

Remove mains and control voltage from the soft starter before attaching or removing accessories. Failure to do so may damage the equipment.

2.1 Installation Procedure

1. Remove control power and mains supply from the soft starter.
2. Fully pull out the top and bottom retaining clips on the module.
3. Line up the module with the comms port slot.
4. Push in the top and bottom retaining clips to secure the module to the starter.
5. Set the DeviceNet Module Node Address (MAC ID) and Data Rate.
6. Apply control power to the soft starter.
7. Insert the network connector into the module and power up the DeviceNet network.



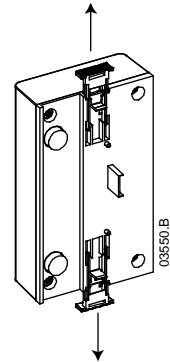
**CAUTION**

Network designs must decrease the maximum allowable cumulative dropline length by 400 mm for every module installed on the network. Failure to do so may result in network communication errors and decreased reliability.

Example: ODVA specifies a maximum cumulative dropline length of 156 m on a network operating at 125 kb/s. If six modules were installed on this network, the total cumulative dropline length would need to be decreased to 153.6 m.

Remove the module using the following procedure:

1. Take the module off-line.
2. Disconnect all external wiring from the module.
3. Remove control power and mains supply from the soft starter.
4. Fully pull out the top and bottom retaining clips on the module.
5. Pull the module away from the soft starter.



3 Configuration

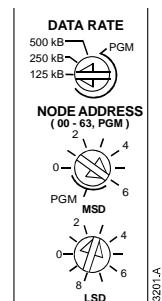
The DeviceNet Module is a Group 2 slave device, using a predefined master/slave connection set. I/O data is produced and consumed using polled I/O messaging.

The soft starter must be added to the DeviceNet manager project using the EDS file and configuration/management software tool. This file is available from www.ge.com/ex/industrialsolutions. In order to operate successfully, the correct EDS file must be used. An on-screen graphics bitmap file (device.bmp) is also available.

4 Adjustment

Changes to the rotary switch settings take effect when the DeviceNet network is next powered up.

The factory default settings for the rotary adjustment switches are:

**NOTE**

The Data Rate and Node Address (MAC ID) must be set locally on the module. These cannot be set using DeviceNet management software.

When the Data Rate and MSD Node Address (MAC ID) rotary switches are set on PGM position, the module uses the previously used valid on-line Data Rate and Node Address (MAC ID).



5 Connection

ASTAT XB/XBm: For the DeviceNet Module to accept fieldbus commands, a link must be fitted across terminals A1-02 on the soft starter.

ASTAT XL: Input links are required across the stop and reset inputs if the soft starter is being operated in Remote mode. In Local mode, links are not required.



NOTE

ASTAT XL: Parameter *Comms in Remote* selects whether the soft starter will accept Start and Stop commands from the Serial Network Master while in Remote Mode. See the soft starter user manual for parameter details.

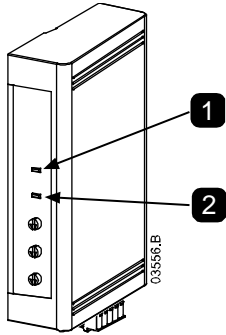
ASTAT XB/XBm		ASTAT XL	
1	ASTAT XB/XBm A1, 02: Stop	1	ASTAT XL (Auto mode) 56, 57: Stop 58, 57: Reset
2	DeviceNet Module	2	DeviceNet Module
3	Standard connection onto DeviceNet network	3	Standard connection onto DeviceNet network



6 LEDs

The Module LED indicates the condition of the power supply and module operation.

The Network LED indicates status of the communication link between the DeviceNet Module and the network Master.



LED	State	Description
1 (Module)	Off	Network power off
	Green	Normal operation
	Red	Unrecoverable fault
	Red/Green flashing	Self Test mode
2 (Network)	Off	Duplicate MAC ID test has not been completed
	Green flashing	Online but no connection with Master
	Green	Online and allocated to a Master
	Red flashing	One or more timed out I/O connections
	Red	Failed communication between module and Master
	Red/Green flashing	Communication faulted and received an Identity communication faulted request



NOTE

When a communications failure occurs, the soft starter may trip if the Communication Timeout parameter for the network is set greater than zero. When communication is restored, the soft starter must be reset.

7 DeviceNet Polled I/O Structure

Once the EDS file has been loaded, the DeviceNet Module must be added to the scanner list with parameters shown in the following table:

Parameter	Value
I/O connection type	Polled
Poll receive size	14 bytes
Poll transmit size	2 bytes

Once the soft starter, module and Master have been set up, configured and powered up, the Master will transmit 2 bytes of data to the module and receive 14 bytes of data from the module.



Master > Slave polled I/O output data is as follows:

Byte	Bit	Function
0	0	0 = Stop command 1 = Start command
	1	0 = Enable Start or Stop command 1 = Quick Stop (ie coast to stop) and disable Start command
	2	0 = Enable Start or Stop command 1 = Reset command and disable Start command
	3 to 7	<i>Reserved</i>
1	0 to 1 ¹	0 = Use soft starter remote input to select motor set 1 = Use primary motor set when starting ² 2 = Use secondary motor set when starting ² 3 = <i>Reserved</i>
	2 to 7	<i>Reserved</i>

¹ Only available on ASTAT XL soft starters.

² Ensure that the programmable input is not set to Motor Set Select before using this function.

Slave > Master polled I/O input data is as follows:

**NOTE**

Some soft starters do not support some functions.

Byte	Bit	Function	Value
0	0	Trip	1 = Tripped
	1	Warning	1 = Warning
	2	Running	0 = Unknown, not ready, ready to start or tripped 1 = Starting, running, stopping or jogging
	3	<i>Reserved</i>	
	4	Ready	0 = Start or stop command not acceptable 1 = Start or stop command acceptable
	5	Control from Net	1 = Always except in Program mode
	6	Local/Remote	0 = Local control 1 = Remote control
	7	At reference	1 = Running (full voltage at the motor)
1	0 to 7	Status	0 = Unknown (menu open) 2 = Starter not ready (restart delay or thermal delay) 3 = Ready to start (including warning state) 4 = Starting or running



Byte	Bit	Function	Value
			5 = Soft stopping 7 = Trip 8 = Jog forward 9 = Jog reverse
2	0 to 7	Trip/Warning code	See <i>Trip Codes</i> on page 7
3	0	Initialised	1 = Phase sequence bit is valid (bit 1) after first start
	1	Phase sequence	1 = Positive phase sequence detected
	2 to 7	<i>Reserved</i>	
4 ¹	0 to 7	Motor current (low byte)	Current (A)
5 ¹	0 to 7	Motor current (high byte)	
6	0 to 7	Current %FLC (low byte)	Current as a percentage of soft starter FLC setting (%)
7	0 to 7	Current %FLC (high byte)	
8	0 to 7	% Motor 1 temperature	Motor 1 thermal model
9	0 to 7	% Motor 2 temperature	Motor 2 thermal model
10	0 to 7	% Power factor	Percentage power factor (100 = power factor of 1)
11	0 to 7	Power (low byte)	Power low byte, scaled by power scale
12	0 to 3	Power (high nibble)	Power high nibble, scaled by power scale
	4 to 5	Power scale	0 = Multiply power by 10 to get W 1 = Multiply power by 100 to get W 2 = Power (kW) 3 = Multiply power by 10 to get kW
	6 to 7	<i>Reserved</i>	
13	0 to 3	Digital Input state	For all inputs, 0 = open, 1 = closed (shorted) 0 = Start 1 = Stop 2 = Reset 3 = Input A
	4 to 7	<i>Reserved</i>	

¹ For models QLxxB0053D and smaller this value will be 10 times greater than the value displayed on the keypad.

**8 Trip Codes**

Code	Trip Type	ASTAT XB	ASTAT XBm	ASTAT XL
0	No trip	●	●	●
11	Input A trip			●
20	Motor overload		●	●
21	Heatsink overtemperature			●
23	L1 phase loss			●
24	L2 phase loss			●
25	L3 phase loss			●
26	Current imbalance		●	●
28	Instantaneous overcurrent			●
29	Undercurrent			●
50	Power loss	●	●	●
54	Phase sequence		●	●
55	Frequency	●	●	●
60	Unsupported option (function not available in inside delta)			●
61	FLC too high			●
62	Parameter out of range			●
70	Miscellaneous			●
75	Motor thermistor		●	●
101	Excess start time		●	●
102	Motor connection			●
104	Internal fault x (where x is the fault code detailed in the table below)			●
113	Starter communication (between module and soft starter)	●	●	●
114	Network communication (between module and network)	●	●	●
115	L1-T1 shorted			●
116	L2-T2 shorted			●
117	L3-T3 shorted			●
118	Motor 2 overload			●
119 ¹	Time-overcurrent (Bypass overload)		●	●
121	Battery/clock			●
122	Thermistor circuit			●

¹ For ASTAT XL, time-overcurrent protection is only available on internally bypassed models.



8.1.1 Internal Fault x

The table below details the internal fault code associated with trip code 104.

Internal fault	Message displayed on the keypad
70 ~ 72	Current Read Err Lx
73	ATTENTION! Remove Mains Volts
74 ~ 76	Motor Connection Tx
77 ~ 79	Firing Fail Px
80 ~ 82	VZC Fail Px
83	Low Control Volts
84 ~ 98	Internal fault X Contact your local supplier with the fault code (X).

**NOTE**

Only available on ASTAT XL soft starters. For parameter details, see the soft starter User Manual.

9 Parameter Object

The DeviceNet Module supports parameter objects through explicit messaging. Soft starter parameters can be uploaded (written) and downloaded (read) using DeviceNet management software. When the DeviceNet Module is powered up, it automatically obtains parameter information from the soft starter.

Detail	Value (Hex)	Comment
Class	0F	Parameter object address
Instance	1 ~ xxx	xxx = maximum soft starter parameter number
Attribute ID	01	Always 0x01
Get Service	0E	Read single soft starter parameter value
Set Service	10	Write single soft starter parameter value

**NOTE**

Only available on ASTAT XL soft starters. For parameter details, see the soft starter User Manual.



10 Specifications

Enclosure

Dimensions	40 mm (W) x 166 mm (H) x 90 mm (D)
Weight	250 g
Protection	IP20

Mounting

Spring-action plastic mounting clips (x 2)

Connections

Soft starter	6-way pin assembly
Network	5-way male and unpluggable female connector (supplied)
Maximum cable size	2.5 mm ²
Contacts	Gold flash

Settings

Node address (MAC ID)

Setting	Rotary switches
Range	0 to 63 (63, factory default)

Data rate

Setting	Rotary switch
Options	125 kB, 250 kB, 500 kB (125 kB, factory default)

Power

Consumption

steady state	19 mA at 25 VDC
.....	31 mA at 11 VDC
in-rush (at 24 VDC)	1.8 A maximum for 2 ms

Galvanically isolated

Certification

CE	IEC 60947-4-2
C✓	IEC 60947-4-2
ODVA	DeviceNet <small>CONFORMS TO IEC</small>

