



USB Module

USER MANUAL

1 Important User Information

Observe all necessary safety precautions when controlling the soft starter remotely. Alert personnel that machinery may start without warning.

It is the installer's responsibility to follow all instructions in this manual and to follow correct electrical practice.

2 Introduction

The USB Module can be used in conjunction with GE ASTAT Setup Tool ed.3 to manage GE soft starters.

These instructions detail the installation, set-up and configuration of the USB Module. For details on using GE ASTAT Setup Tool ed.3, refer to the GE ASTAT Setup Tool ed.3 help file.



NOTE

For GE ASTAT Setup Tool ed.3 to communicate with a soft starter via the USB Module, GE ASTAT Setup Tool ed.3 must be configured to use the AP ASCII or AP Binary protocols.

3 Installation

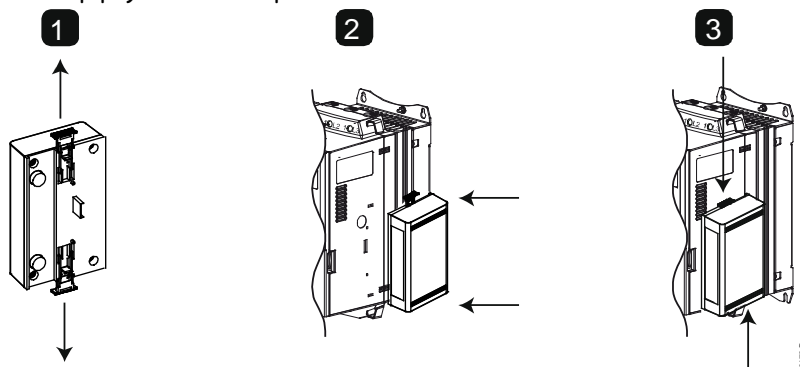


CAUTION

Remove mains and control voltage from the soft starter before attaching or removing accessories. Failure to do so may damage the equipment.

3.1 Installation Procedure

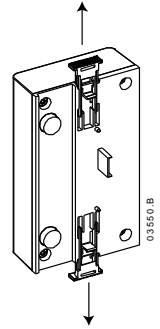
1. Remove control power and mains supply from the soft starter.
2. Fully pull out the top and bottom retaining clips on the module.
3. Line up the module with the comms port slot.
4. Push in the top and bottom retaining clips to secure the module to the starter.
5. Apply control power to the soft starter.





Remove the module using the following procedure:

1. Remove control power and mains supply from the soft starter.
2. Take the module off-line.
3. Disconnect all external wiring from the module.
4. Fully pull out the top and bottom retaining clips on the module.
5. Pull the module away from the soft starter.



4 Connection

ASTAT XB/XBm: For the USB Module to accept fieldbus commands, a link must be fitted across terminals A1-02 on the soft starter.

ASTAT XL: Input links are required across the stop and reset inputs if the soft starter is being operated in Remote mode. In Local mode, links are not required.



NOTE

ASTAT XL: Parameter *Comms in Remote* selects whether the soft starter will accept Start and Stop commands from the Serial Network Master while in Remote Mode. See the soft starter user manual for parameter details.

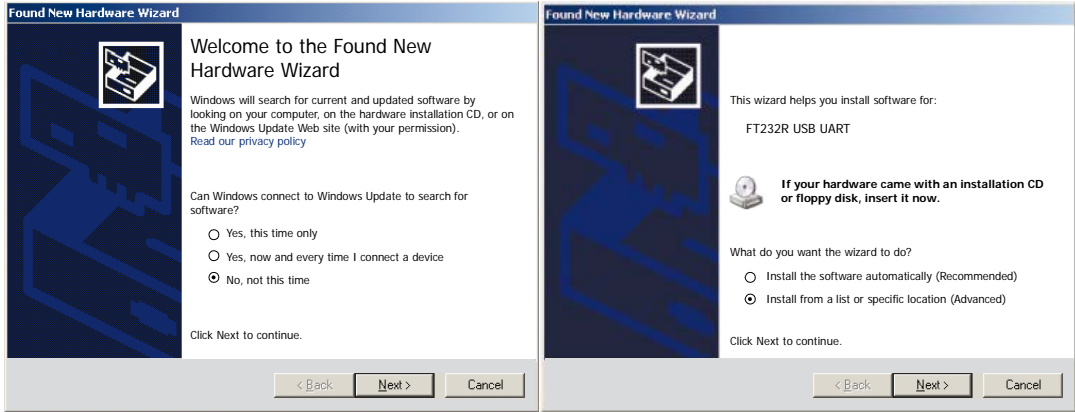
ASTAT XB/XBm		ASTAT XL	
1	ASTAT XB/XBm A1, 02: Stop input	1	ASTAT XL (Auto mode) 56, 57: Stop input 58, 57: Reset input
2	USB Module	2	USB Module
3	USB port	3	USB port

5 Configuration

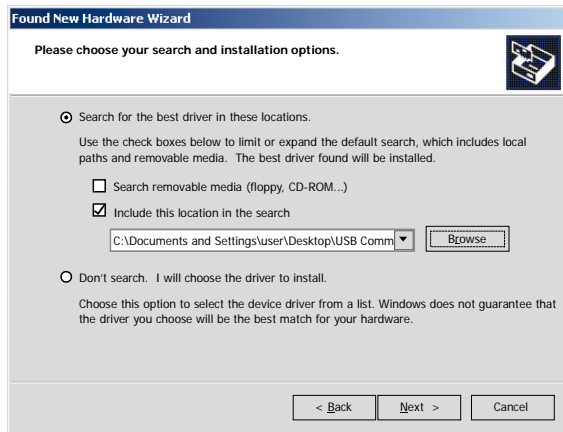
To bring the USB Module on-line:

1. Remove control power and mains supply from the soft starter.
2. Attach the module to the soft starter as illustrated.
3. Connect the module to the PC via a USB cable. The PC should detect the module and the Hardware Update Wizard will open.
4. Install the USB driver to operate the module as follows.

The driver can be downloaded from www.ge.com/ex/industrialsolutions.



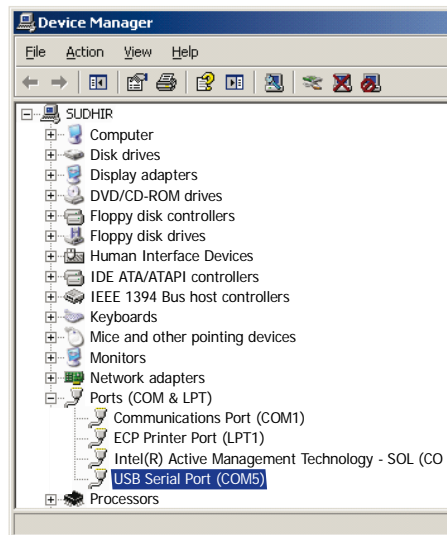
08588.A



08589.A

Click on Ok, then Next. The software will install. If you see a prompt, click Continue Anyway. Once installation is complete, click Finish.

5. The PC will prompt you to install serial port driver software. Repeat the procedure in Step 4. You may need to restart your PC once the driver software is installed.
6. Identify the USB Serial Port assignment by checking Control panel > System > Hardware > Device Manager > Ports (COM & LPT).



08590.A



NOTE

If the USB port is not shown, disconnect then reconnect the cable. If the problem persists, restart your PC.



7. Open GE ASTAT Setup Tool ed.3 and change the settings as follows:

Protocol: ASTAT XB/XBm Series = ASCII; ASTAT XL = Binary

Baud rate: 9600

Address: 20

Port: Use the serial port number identified above

8. Apply control voltage to the soft starter and bring the Master on-line.



NOTE

The starter may trip on Starter Comms while the Master is off-line. Reset the soft starter and place the Master on-line.



NOTE

The drivers will configure the USB port that the module is connected to. You must use the same physical USB port every time you connect the module to the PC.

6 Specifications

Enclosure

Dimensions 40 mm (W) x 166 mm (H) x 90 mm (D)

Weight 250 g

Protection IP20

Mounting

Spring-action plastic mounting clips (x 2)

Connections

Soft starter 6-way pin assembly

Network USB-B

Maximum cable length 3 metres (not supplied)

Settings

Protocol AP Binary or AP ASCII

Address 20

Data rate (bps) 9600

