

## INSTALLATION INSTRUCTIONS

## Retrofit of XT5 (Neutral kits)

### Retrofit of Spectra K-frame neutral CT with ABB Tmax XT5 Neutral CT for Spectra Power Panel and Switch boards

**WARNING**

Danger of electrical shock or injury. Turn OFF power ahead of the panel board or switchboard before working inside the equipment or removing any component. Equipment is to be installed and maintained by properly trained and qualified personnel only.

## General

These instructions are applicable to retrofit of XT5 NCT.  
Table 1 lists the parts included in the XT5 NCT retrofit kits.

## Installation

Numbers in brackets in the following instructions and figures refer to the item numbers in table below.

**Retrofit Kit**


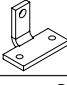
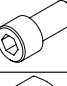

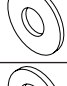


Item	Part#	Description	Qty.	Image
1	1SDA105155R1	Ext CSN XT5 NCT	1	
2	3000261400P	SPP XT5 NCT Plate	2	
3	N170P25016B6	Screw 3/8 - 16 X 1	2	
4	N245P25B6	Nut 3/8 - 16	2	
5	75A105503P102	Bellville washer 3/8	2	
6	N402P43B6	Flat washer 3/8	2	

Table 1. Retrofit kit

**Required Tools**

Below listed tools are required for installation

Item	Part	Description
1		Torque wrench

**STEP 1**

Remove SG CT from the neutral assembly as shown in figure 1a.

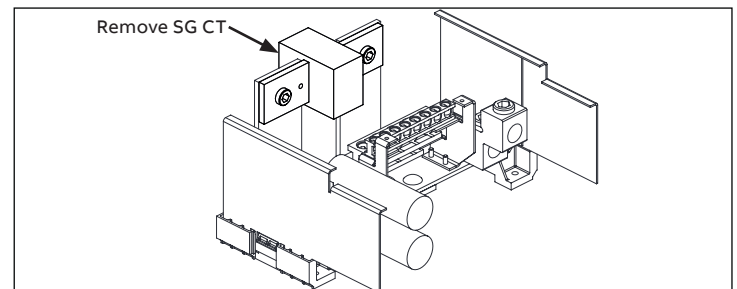


Figure 1a. Remove SG CT

**STEP 1 Continued**

Remove the mounting hardware from CT assembly as shown in figure 1b.

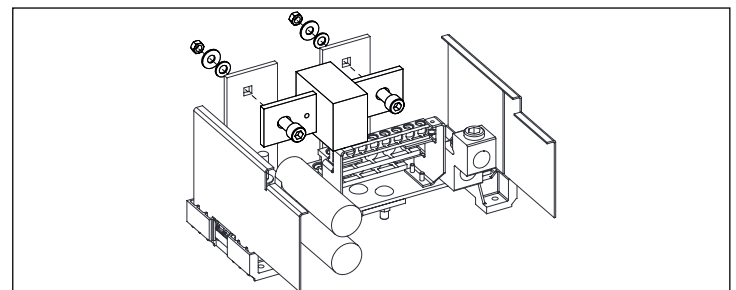


Figure 1b. Remove hardware from CT assembly

**STEP 1 Continued**

Remove the CT from plates as shown in figure 1c.

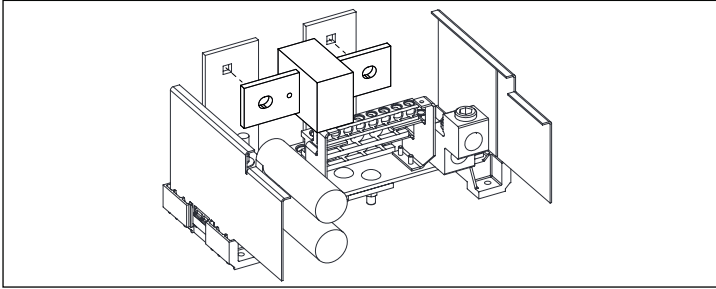


Figure 1c. Remove the CT from plates

**STEP 3**

Assemble CT on the mounting brackets (Hardware supplied with CT).

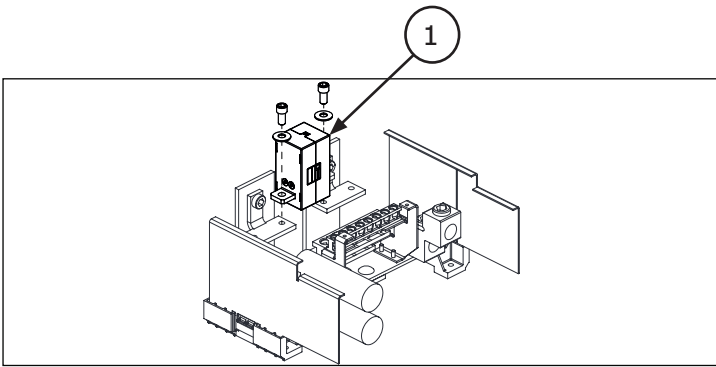


Figure 3. Installation of CT assembly

**STEP 2**

Assemble CT mounting brackets (2X) as shown in figure 2.

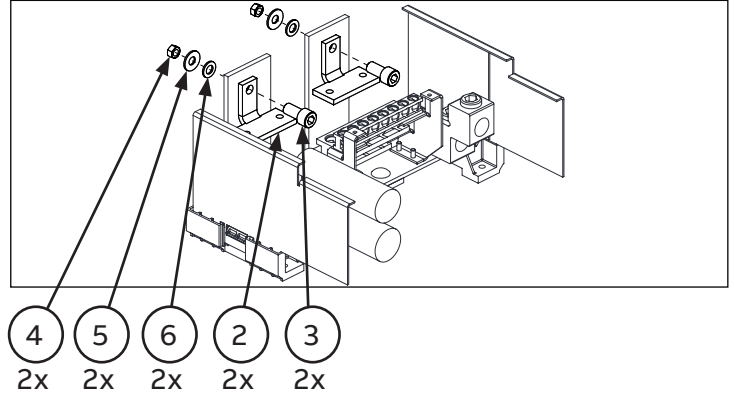


Figure 2. Assemble mounting brackets

**STEP 4**

Tighten the screws to secure the CT on brackets as shown in figure 4.

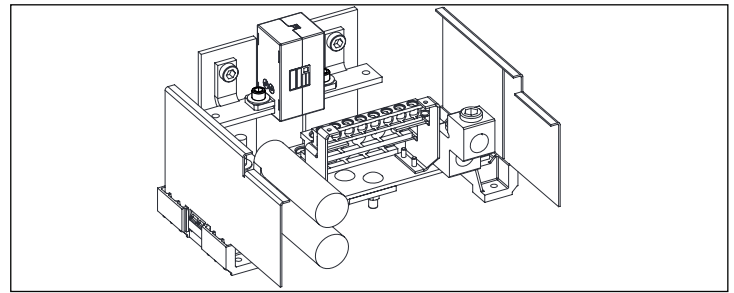


Figure 4. Tighten the screws

**⚠ Attention: Please refer the instruction sheet provided with XT5 neutral CT for the electrical connection between CT and breaker.**

**Disclaimer :** These instructions do not cover all details or variations in equipment nor do they provide for every possible contingency that may be met in connection with installation, operation or maintenance. Should further information be desired or should particular problems arise that are not covered sufficiently for the purchaser's purposes, the matter should be referred to the ABB Company.

ABB Inc.  
305 Gregson Drive  
Cary, NC 27511

**abb.com**

We reserve the right to make technical changes or modify the contents of this document without prior notice. With regard to purchase orders, the agreed particulars shall prevail. ABB AG does not accept any responsibility whatsoever for potential errors or possible lack of information in this document.

We reserve all rights in this document and in the subject matter and illustrations contained therein. Any reproduction, disclosure to third parties or utilization of its contents – in whole or in parts – is forbidden without prior written consent of ABB AG. Copyright© 2019 ABB  
All rights reserved

GE logo is licensed by General Electric Company to ABB