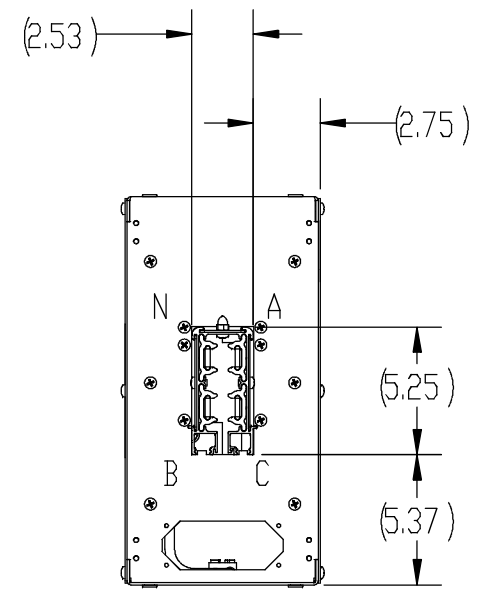
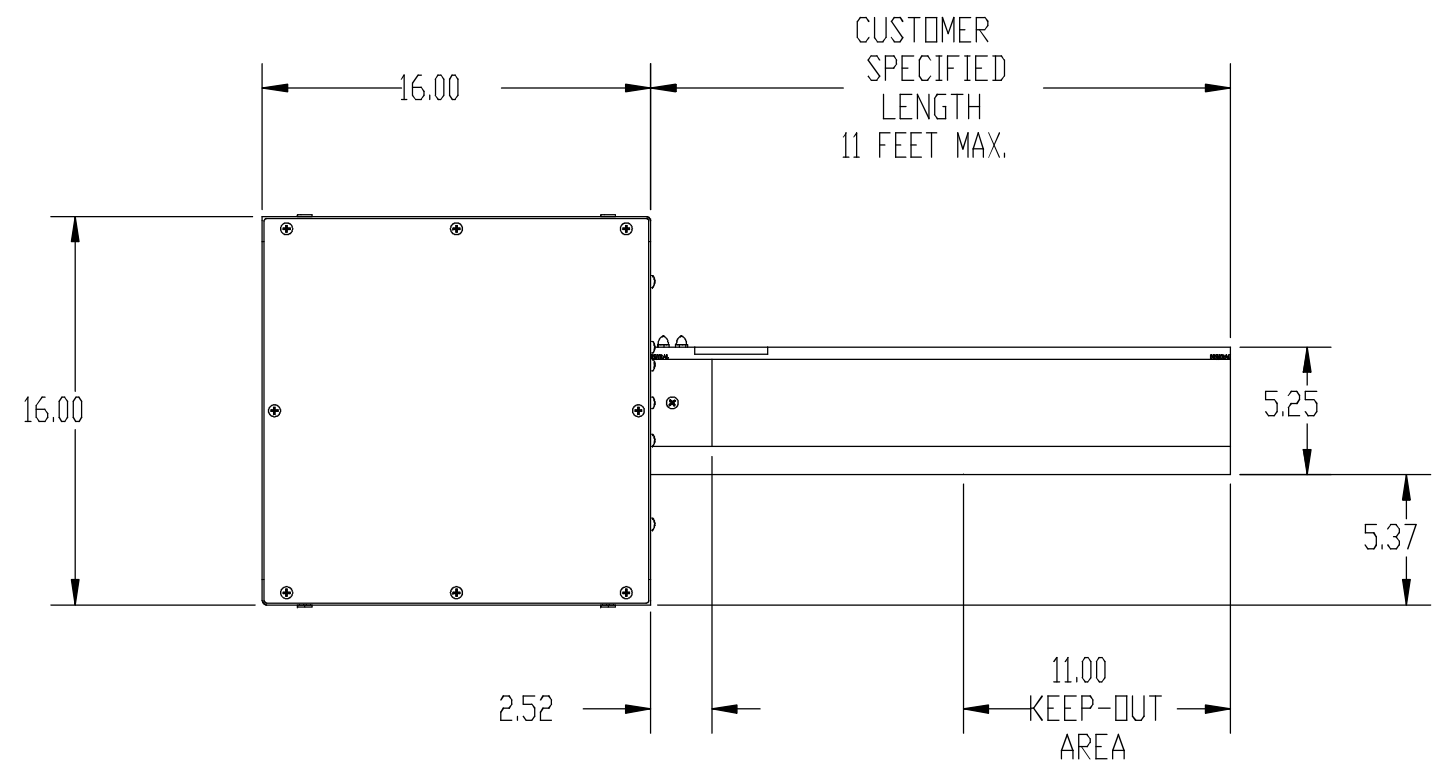
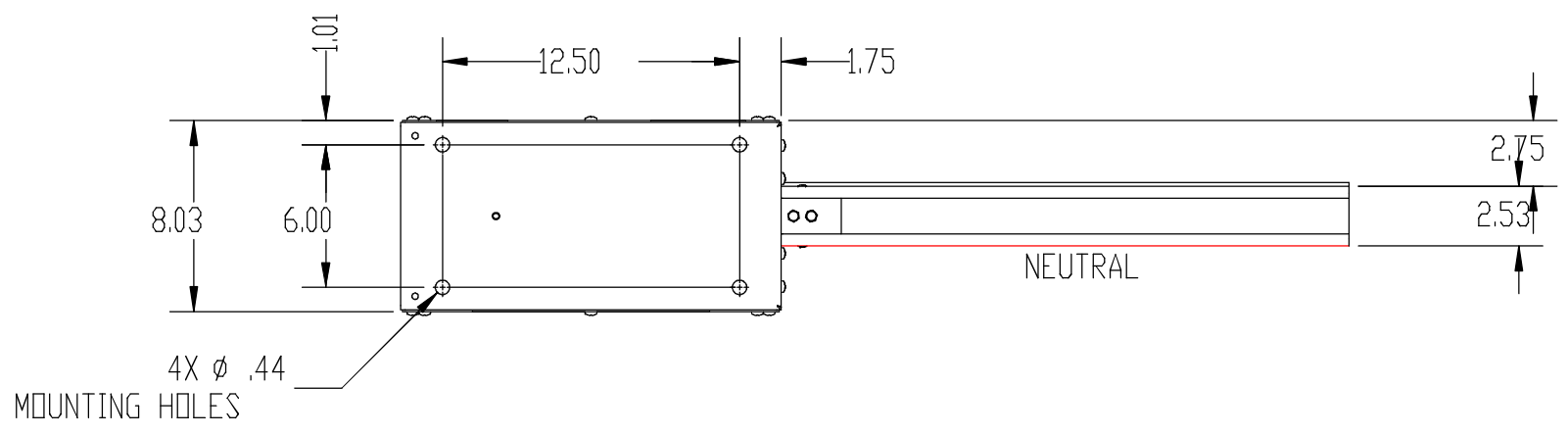




REVISIONS						
REV	SHT	ZN	DESCRIPTION	DATE	DRW	APPR



UNLESS OTHERWISE SPECIFIED: DIMENSIONS ARE IN INCHES TOLERANCES: ANGULAR: ±2° TWO PLACE DECIMAL ±0.02 THREE PLACE DECIMAL ±0.005	THIS DRAWING CONTAINS CONFIDENTIAL & PROPRIETARY INFORMATION AND SHALL NOT BE DISCLOSED OR COPIED WITHOUT THE EXPRESSED, WRITTEN PERMISSION OF GENERAL ELECTRIC CO.		 GE Critical Power GE ZENITH SERIES DPB DISTRIBUTED POWER BUSWAY	
	USED ON	 DO NOT SCALE DRAWING	TITLE: SUBMITTAL DRAWING, 100A-250A LH EF, BUSWAY	
	APPROVALS		DATE	
	DRAWN			
MATERIAL:	DESIGNED			SIZE B
FINISH:	CHECKED			DWG. NO.
WEIGHT:	ENG. APPR.			REV X1
	MFG. APPR.			SCALE:
				PART NO.