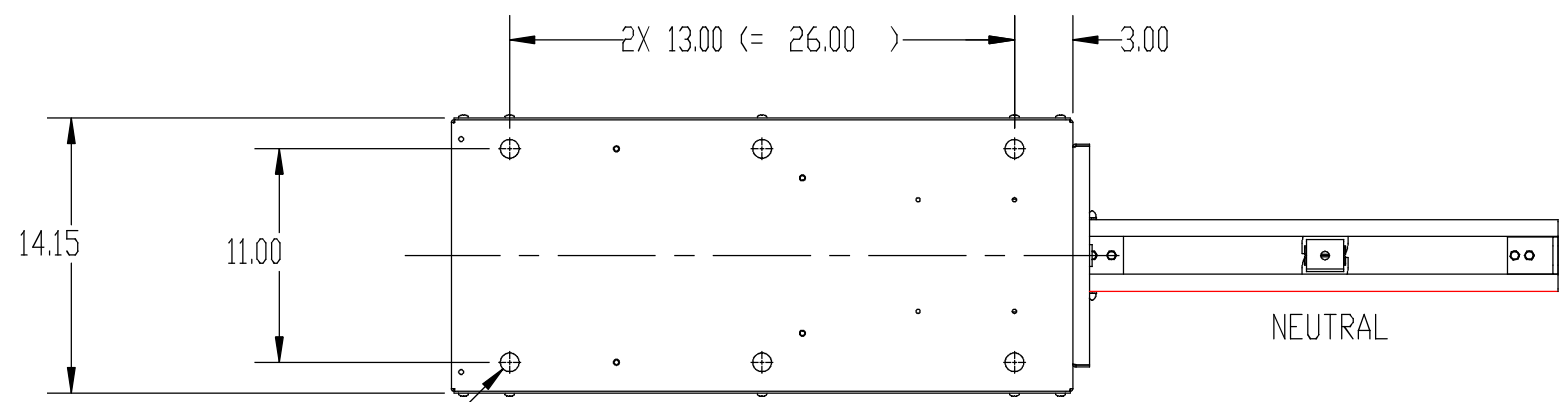
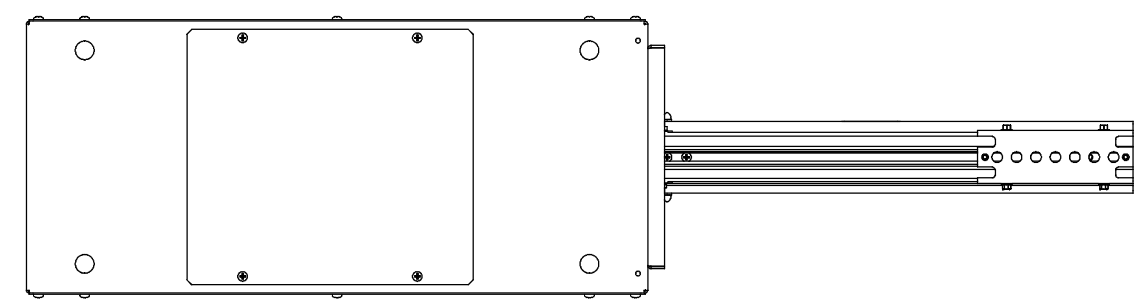
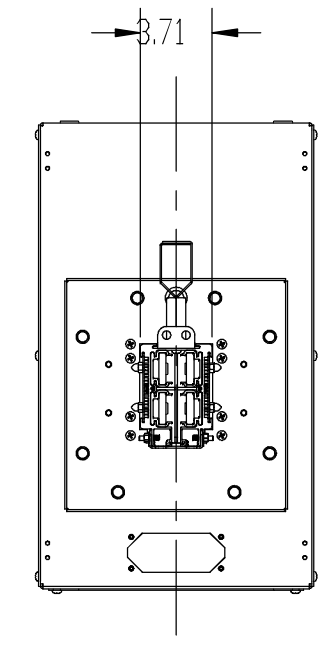
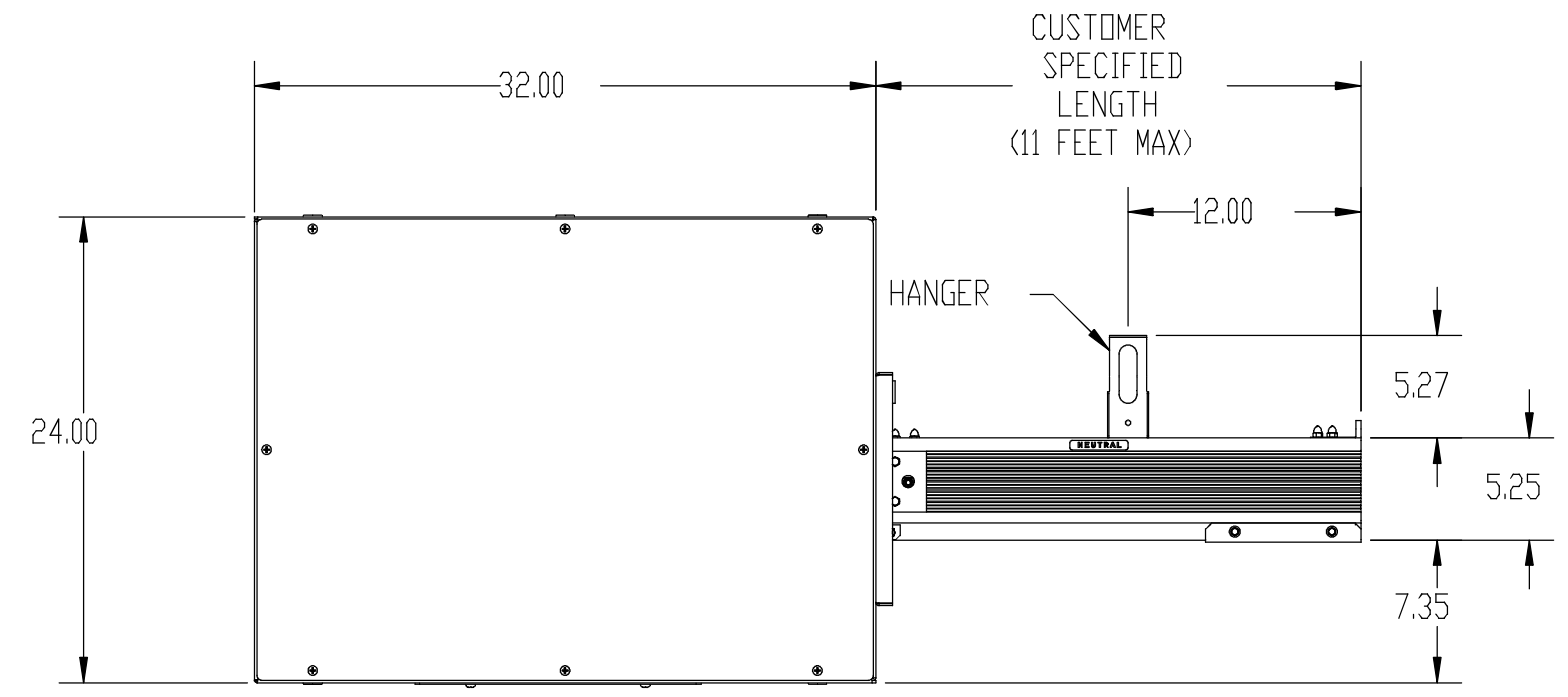


REVISIONS					
REV	SHT	ZN	DESCRIPTION	DATE	APPR



NOTES: UNLESS OTHERWISE SPECIFIED

1 WEIGHT WITH A 25" NOSE RAISL AS SHOWN - 135 POUNDS.
ADD 16 POUNDS PER FOOT FOR CUSTOM LENGTH NOSE RAIL.



UNLESS OTHERWISE SPECIFIED: DIMENSIONS ARE IN INCHES TOLERANCES: ANGULAR: $\pm 2^\circ$ TWO PLACE DECIMAL ± 0.02 THREE PLACE DECIMAL ± 0.005	THIS DRAWING CONTAINS CONFIDENTIAL & PROPRIETARY INFORMATION AND SHALL NOT BE DISCLOSED OR COPIED WITHOUT THE EXPRESSED, WRITTEN PERMISSION OF GENERAL ELECTRIC CO.		 GE ZENITH SERIES DPB DISTRIBUTED POWER BUSWAY GE Critical Power		
	USED ON	 THIRD ANGLE PROJECTION	DO NOT SCALE DRAWING	TITLE: END FEED, 800A, LH, BUSWAY	
MATERIAL:	DESIGNED	APPROVALS	DATE	SIZE B	DWG. NO. HPW-800-4PG-EF-LH
FINISH:	CHECKED	ENG. APPR.		SCALE:	REV
WEIGHT: 1	MFG. APPR.			PART NO.	