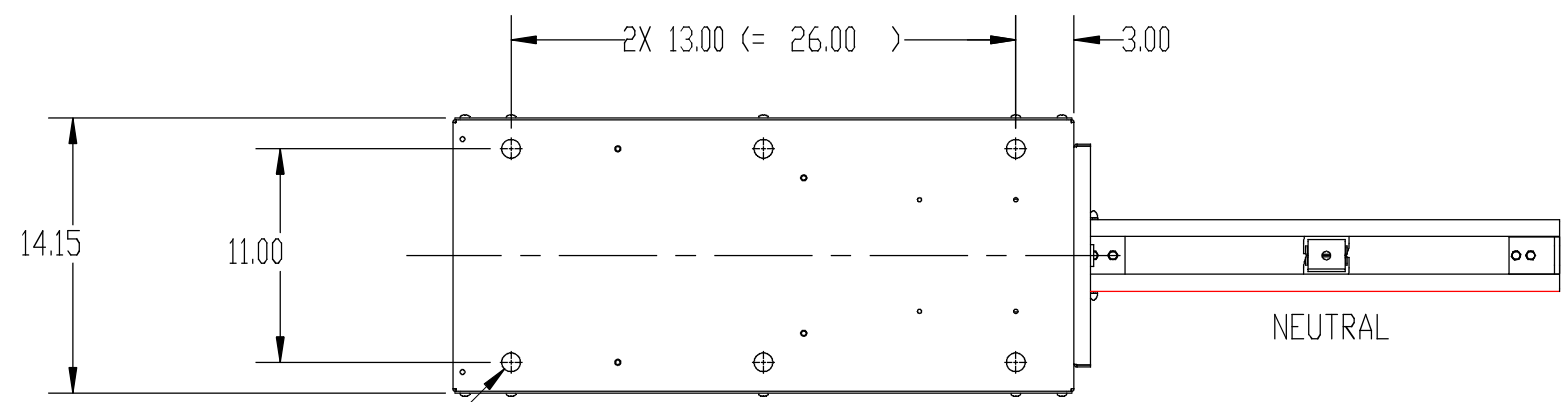
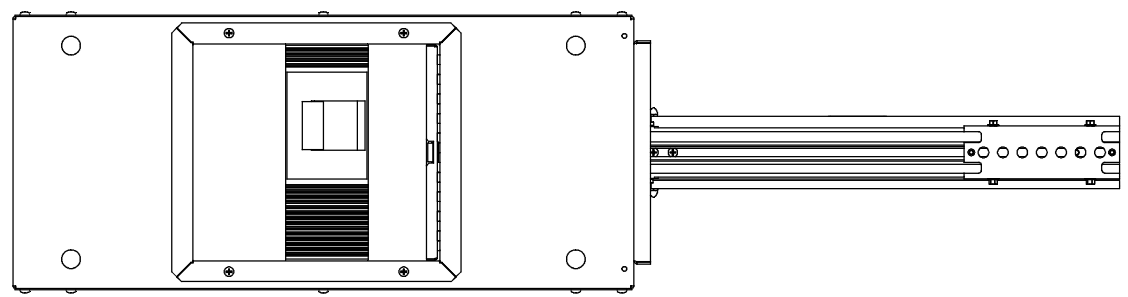
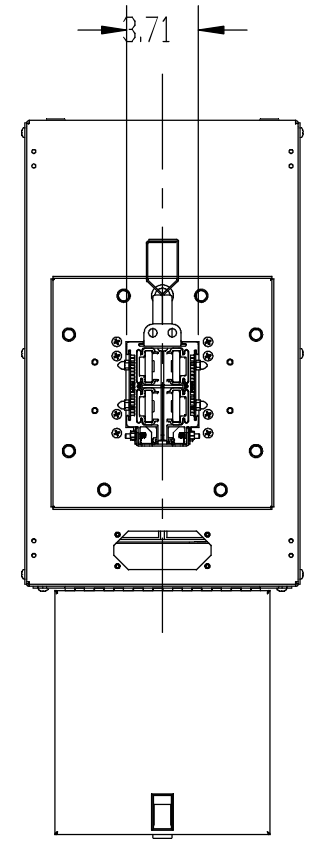
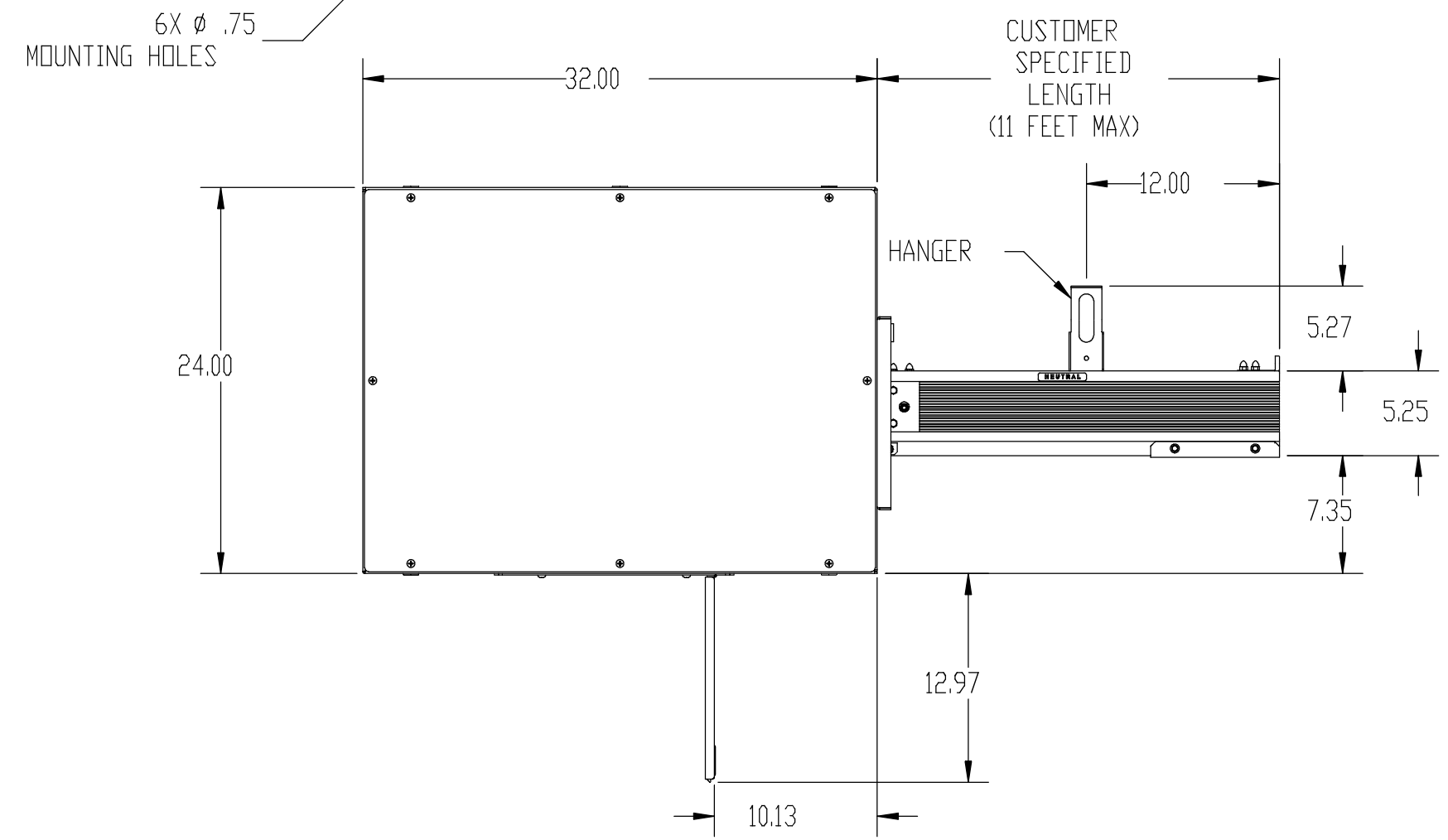


REVISIONS					
REV	SHT	ZN	DESCRIPTION	DATE	DRW APPR



NOTES: UNLESS OTHERWISE SPECIFIED
 1 WEIGHT WITH A 25" NOSE RAIL AS SHOWN - 175 POUNDS.
 ADD 16 POUNDS PER FOOT FOR CUSTOM LENGTH
 NOSE RAIL.



UNLESS OTHERWISE SPECIFIED: DIMENSIONS ARE IN INCHES TOLERANCES: ANGULAR: ±2° TWO PLACE DECIMAL ±0.02 THREE PLACE DECIMAL ±0.005	THIS DRAWING CONTAINS CONFIDENTIAL & PROPRIETARY INFORMATION AND SHALL NOT BE DISCLOSED OR COPIED WITHOUT THE EXPRESSED, WRITTEN PERMISSION OF GENERAL ELECTRIC CO.		GE Critical Power GE ZENITH SERIES DPB DISTRIBUTED POWER BUSWAY		
	USED ON	DO NOT SCALE DRAWING	TITLE: END FEED, 800A, LH, MCCB, BUSWAY		
MATERIAL:	DESIGNED	APPROVALS	DATE	SIZE	DWG. NO.
FINISH:	CHECKED			B	HPW-800-4PG-EF-LH-MCCB
WEIGHT:	ENG. APPR.			SCALE:	REV
	MFG. APPR.			PART NO.	