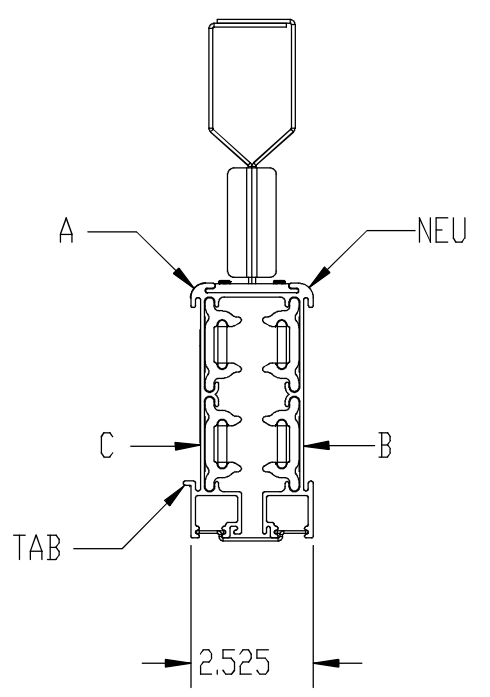
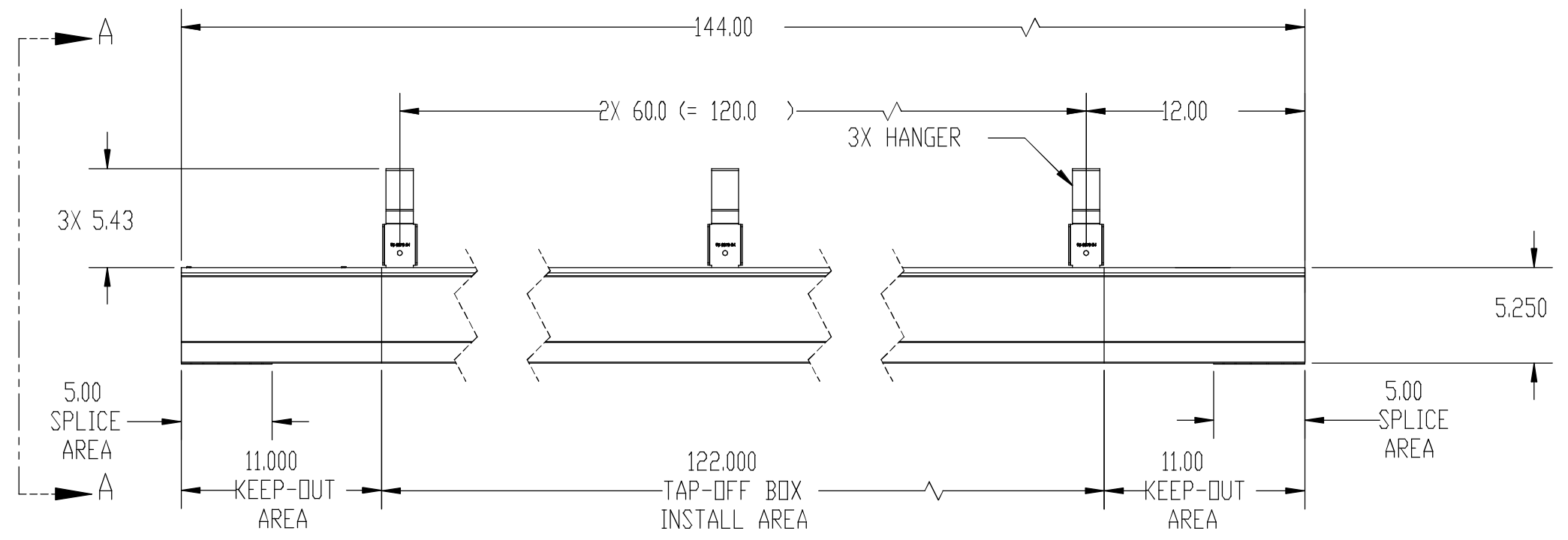
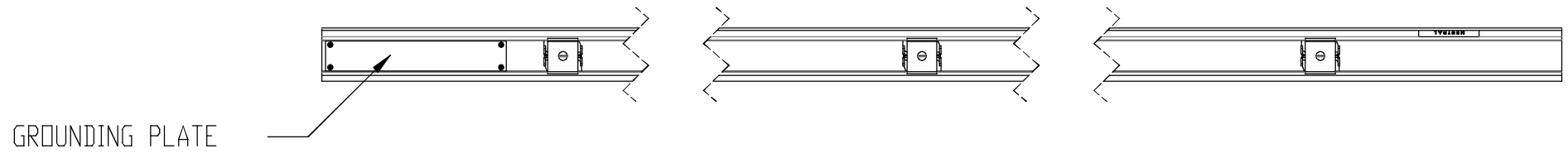




REVISIONS						
REV	SHT	ZN	DESCRIPTION	DATE	DRW	APPR



VIEW A-A
SCALE 1 : 4

UNLESS OTHERWISE SPECIFIED: DIMENSIONS ARE IN INCHES TOLERANCES: ANGULAR: ±2° TWO PLACE DECIMAL ±0.02 THREE PLACE DECIMAL ±0.005	THIS DRAWING CONTAINS CONFIDENTIAL & PROPRIETARY INFORMATION AND SHALL NOT BE DISCLOSED OR COPIED WITHOUT THE EXPRESSED, WRITTEN PERMISSION OF GENERAL ELECTRIC CO.		 GE Critical Power GE ZENITH SERIES DPB 12 FT. RAIL, 160A-250A
	USED ON	 DO NOT SCALE DRAWING	
	DRAWN	M .JAENA	06.07.12
MATERIAL:	DESIGNED		
FINISH:	CHECKED		
WEIGHT:	ENG. APPR.		
	MFG. APPR.	--	--
	SIZE	DWG. NO.	
	B	REV X1	
	SCALE:	PART NO.	