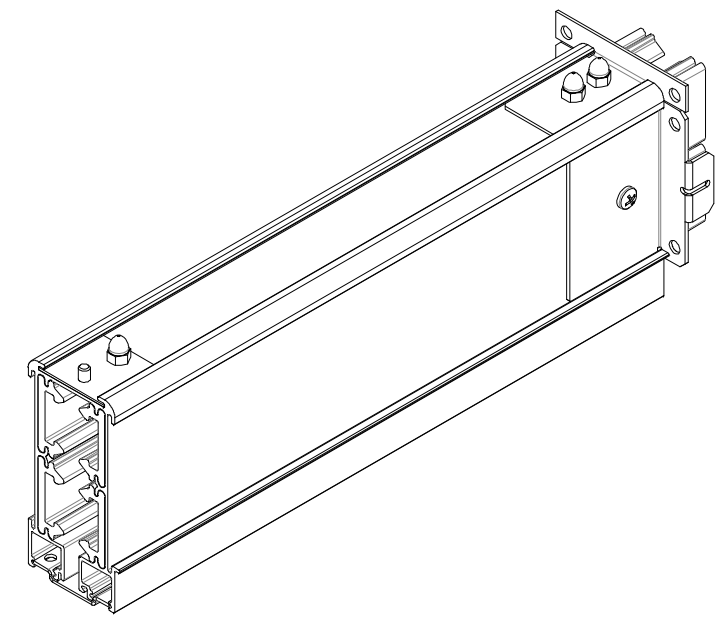
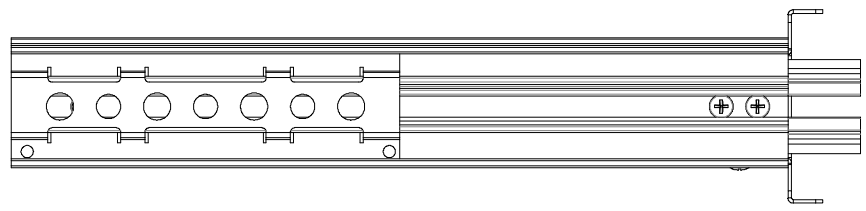
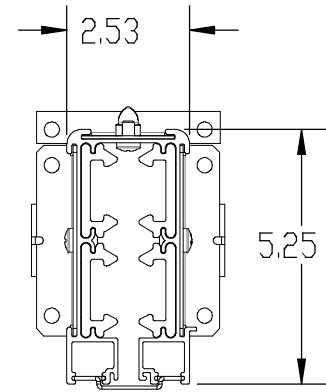
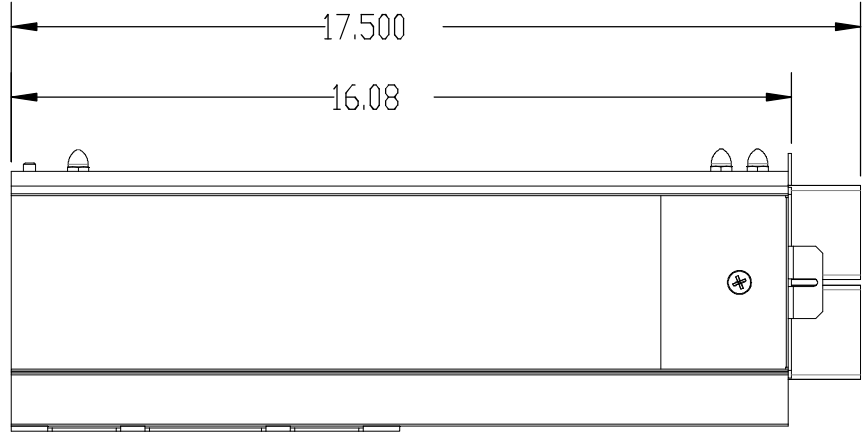
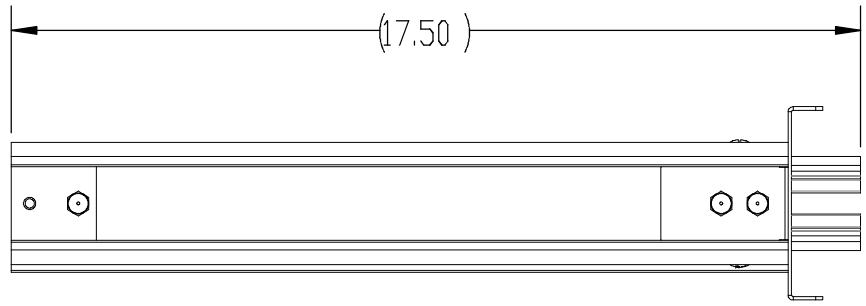

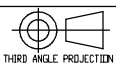


8 7 6 5 4 3 2 1

REVISIONS					
REV	SHT	ZN	DESCRIPTION	DATE	DRW APPR
△			INITIAL RELEASE	1/23/2013	



400A LEFT HAND RAIL

UNLESS OTHERWISE SPECIFIED: DIMENSIONS ARE IN INCHES TOLERANCES: ANGULAR: ±2° TWO PLACE DECIMAL ±0.02 THREE PLACE DECIMAL ±0.005	THIS DRAWING CONTAINS CONFIDENTIAL & PROPRIETARY INFORMATION AND SHALL NOT BE DISCLOSED OR COPIED WITHOUT THE EXPRESSED, WRITTEN PERMISSION OF GENERAL ELECTRIC CO.		 <b>ZENITH SERIES DPB DISTRIBUTED POWER BUSWAY</b> <b>GE Critical Power</b>	
	USED ON	 THIRD ANGLE PROJECTION	DO NOT SCALE DRAWING	TITLE: SUBMITTAL DRAWING 400A, RH, RAIL, BUSWAY
MATERIAL:	DESIGNED	APPROVALS	DATE	SIZE B
FINISH:	CHECKED			DWG. NO. GE-400A LH RAIL
WEIGHT:	ENG. APPR.			REV A
	MFG. APPR.			SCALE: 1:4
				PART NO. SHEET 1 OF 1

8 7 6 5 4 3 2 1