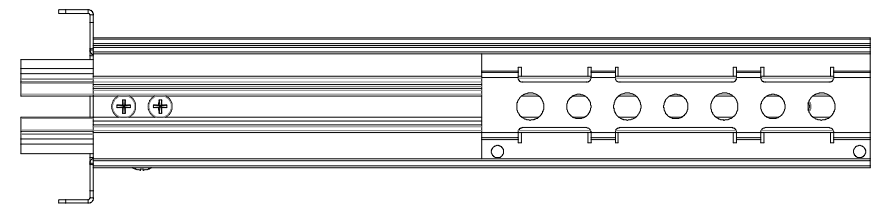
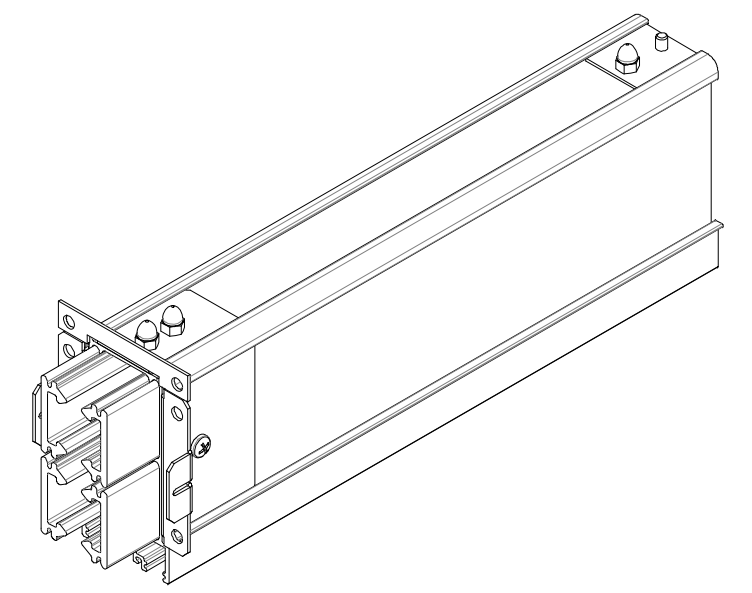
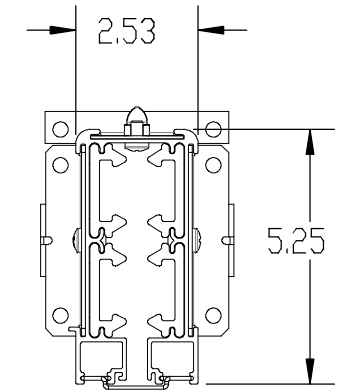
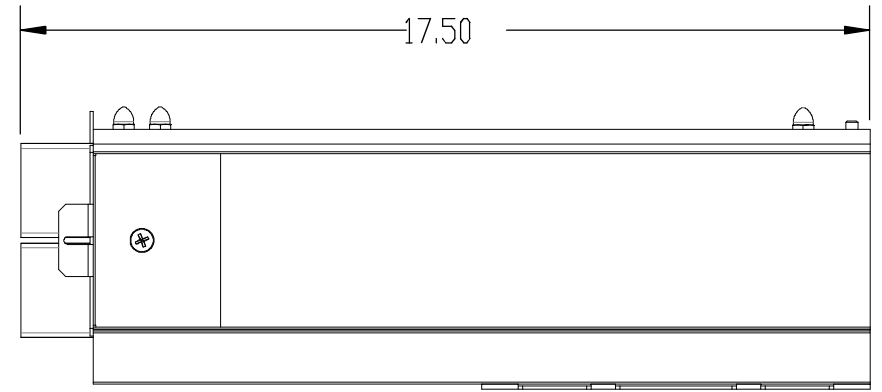
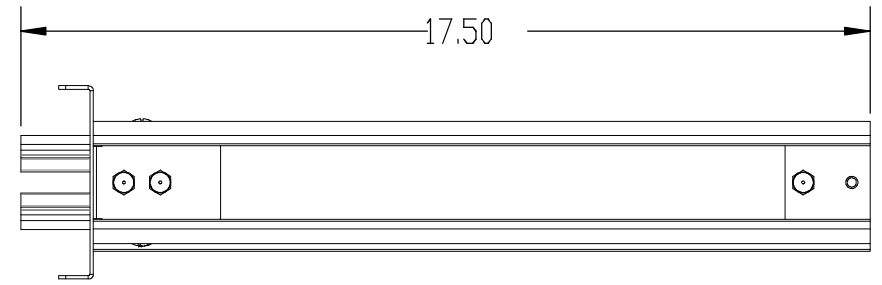




8 7 6 5 4 3 2 1

REVISIONS					
REV	SHT	ZN	DESCRIPTION	DATE	DRW APPR
△			INITIAL RELEASE	1/23/2013	



400A RIGHT HAND RAIL

UNLESS OTHERWISE SPECIFIED: DIMENSIONS ARE IN INCHES TOLERANCES: ANGULAR: ±2° TWO PLACE DECIMAL ±0.02 THREE PLACE DECIMAL ±0.005	THIS DRAWING CONTAINS CONFIDENTIAL & PROPRIETARY INFORMATION AND SHALL NOT BE DISCLOSED OR COPIED WITHOUT THE EXPRESSED, WRITTEN PERMISSION OF GENERAL ELECTRIC CO.		 ZENITH SERIES DPB DISTRIBUTED POWER BUSWAY		
	USED ON	 THIRD ANGLE PROJECTION	DO NOT SCALE DRAWING	TITLE: SUBMITTAL DRAWING 400A, RH, RAIL, BUSWAY	
MATERIAL:	DESIGNED	APPROVALS	DATE	SIZE B	DWG. NO. GE-400A RH RAIL
FINISH:	CHECKED				REV A
WEIGHT:	ENG. APPR.				
	MFG. APPR.			SCALE: 1:4	PART NO. SHEET 1 OF 1

8 7 6 5 4 3 2 1