

GALAXY Switchmode Rectifier

596A2

-48 Vdc, 50 A, 208 Vac / 240 Vac



The new GALAXY Switchmode Rectifier 596A2 provides the highest-quality dc power for telecommunications and data processing systems and their batteries.

The GALAXY Switchmode Rectifier 596A2

integrates the latest switchmode technology with superior power, protection, and control features in a compact, cost-efficient power-conversion system.

Designed as a key element in the Lineage Power GALAXY Power System (GPS) 4812 Battery Plants, the 596A2 rectifier converts ac input voltage into the dc-voltage level required to power end-user equipment, as well as to float-charge batteries at precise voltage levels.

Operation over a wide temperature range (-40°C to $+85^{\circ}\text{C}$) makes the 596A2 suitable for controlled and uncontrolled environments.

Benefits

Compact, Power-Packed

For high power density, Lineage Power's revolutionary technology packs ever-greater power into ever-shrinking packages. The result is a rectifier that packs more power per cubic inch, weighs just 20 lb. (9 kg), requires minimal maintenance, and frees up valuable floor space.

Quick Setup

Installation is swift and straight-forward. Interconnections to ac-input, dc-output, and control signals are automatic during insertion. No adjustments or settings are required.

Economical Operation

The 596A2 exhibits an excellent 0.98 power factor and high efficiency, thereby minimizing ac usage and contributing to highly reliable, low-cost operation.

Extended Service Life

For greater reliability and robust operation, the 596A2 features parallel operation with digital load sharing, which evenly balances the load current among multiple rectifiers in the event one fails or is removed from the system.

Fail-Safe Performance

Hot-insertion capabilities allow for rectifier replacement without system shutdown; softstart circuits and inrush control prevent upstream breakers from tripping. To avoid load or rectifier damage, the 596A2 is

equipped with overvoltage/overcurrent protection. A variable-speed fan maintains safe operation in -40°C to 85°C ambient temperatures. The 596A2 operates with or without batteries.

Simplified Control/Monitoring

A digital meter indicates current, temperature, or rectifier alarm messages for convenient system status. A microprocessor manages all internal alarm and state decisions, and, for more extensive monitoring and control capabilities, provides serial digital communication with the GALAXY family of controllers.

Overall, the unit is easy to install with minimal labor, lowers typical operating and installation expense, and

delivers the reliable high performance required by the most stringent telecommunication and data processing applications. The 596A2 is UL* recognized and CE† marked.

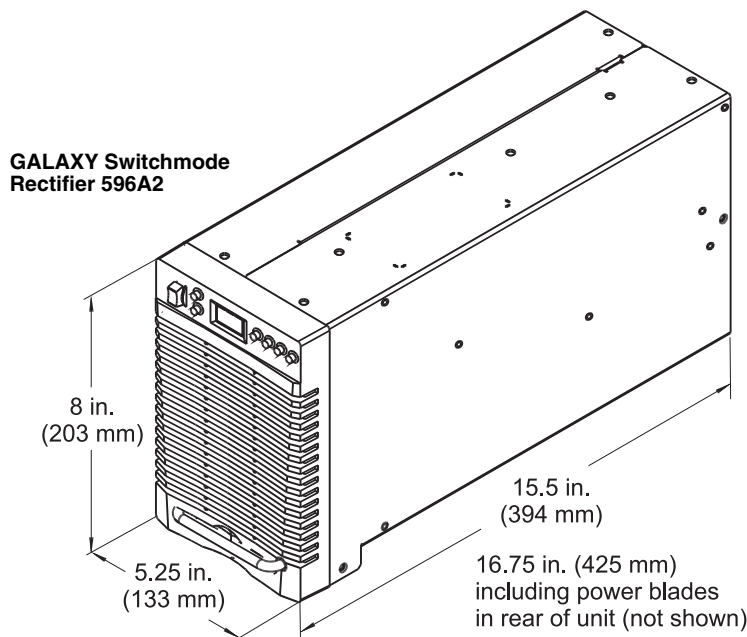
Features

- Microprocessor controlled
- Digital load-sharing
- 2-wire interface
- Three-digit meter: current, failure codes, rectifier ID
- Hot pluggable
- Compact, modular construction
- 3000W output (55A at 54.48V)
- UL Recognized
- CE marked

* UL is a registered trademark of Underwriters Laboratories, Inc.

† This product is intended for integration into end-user equipment. All the required procedures for CE marking of end-user equipment should be followed.

Outline Drawing



Specifications

Electrical	
Input	
Nominal Voltage, Single-Phase	208 Vac / 240 Vac, 2-wire plus ground
Voltage Limit, Steady State	176 Vac to 264 Vac
Frequency	47 Hz to 63 Hz
Nominal AC Input Current	16.0A at 208 Vac 15.5A at 220 Vac 14.0A at 240 Vac
Power Factor	>0.98 from 50% to 110% load
Total Harmonic Distortion	<5%
Output	
Float/Boost Voltage Limits	42 Vdc to 60 Vdc
Regulation (with GALAXY controller)	±0.5%
Ripple	100 mVp-p 0 to 10 MHz
Noise	<1 mV psophometric
Output Current	-40°C to +65°C: 55 Adc max +65°C to +85°C: derate at 1A per °C
Current-Limit Set Point	15 Adc to 55 Adc
Physical	
Width	5.25 in. (133 mm)
Height	8 in. (203 mm, 5U)
Depth	15.5 in. (394 mm)
Weight	20 lb (9 kg)
Environmental	
Efficiency	90%
Operating Temperature	-40°C to +85°C (-40°F to 185°F)
Operating Relative Humidity	0% to 95%
Storage Temperature	-40°C to +85°C (-40°F to 185°F)
Storage Relative Humidity	5% to 90%
Audible Noise	<60 dBA as per GR-947-CORE
Safety/Standards Compliance	
NEBS	Evaluated by independent test lab with NRTL status to Telcordia GR63 and GR1089 (including level 3 testing)
Safety Standard	UL1950, EN60950/IEC950, and CSA* 234/950
CE Marks	UL Recognized (Canada and U.S.), VDE† Licensed, CE Marked (meets 73/23/EEC and 93/68/EEC directives)
Control and Monitoring	
Visual Indicators	ON (green), STBY (yellow), LIM (yellow), ALM (red), FAN ALM (red)
Meter	Three digit: current, failure codes, rectifier ID
Control Switch (One)	ID/ON/STBY
Serial Interface Signaling: Controller-to-Rectifier	Remote sense, load share, voltage set points, current set points, selective HVSD set points, float/boost mode, HVSD, ON/STBY, lamp test
Serial Interface Signaling: Rectifier-to-Controller	Rectifier current, rectifier temperature, ID, serial number, manufacturing information, RFA, CB, ON/STBY, ACF, phase fail, TA, fan fail

* CSA is a registered trademark of Canadian Standards Association.

† VDE is a trademark of Verband Deutscher Elektrotechniker e.V.

Note: **STBY** = Standby, **EQL** = Equalize, **LIM** = Limit, **ALM** = Alarm, **HVSD** = High-Voltage Shutdown, **RFA** = Rectifier Fail Alarm, **CB** = Circuit Breaker, **ACF** = AC Failure, **TA** = Temperature

Ordering Information

Description	Comcode
596A2 Switchmode Rectifier	108796400

Related Product Literature

Document Title	Document Number
GALAXY Power System 4812	DS03-042

LINEAGE POWER

World Wide Headquarters

3000 Skyline Drive, Mesquite, TX 75149, USA

+1-800-843-1797

Outside U.S.A.: +1-972-284-2626

<http://www.lineagepower.com>

e-mail: techsupport1@lineagepower.com

©2008 Lineage Power. Lineage Power reserves the right to make changes to the product(s) or information contained herein without notice. No liability is assumed as a result of their use or application. No rights under any patent accompany the sale of any such product(s) or information.