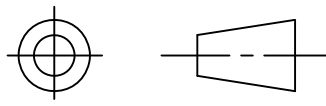



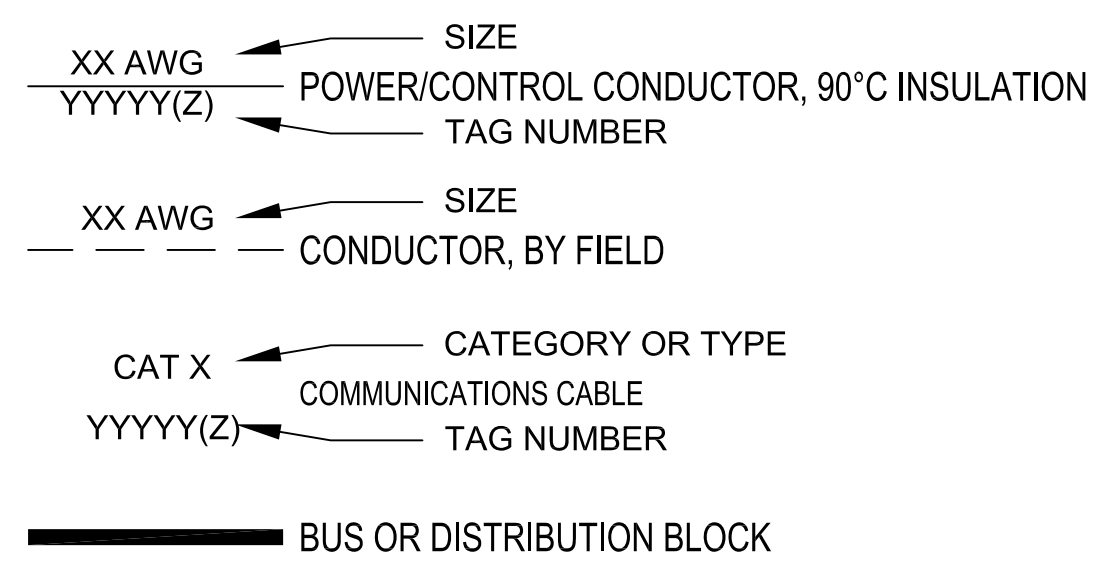
SHEET	DESCRIPTION	REV.LEVEL
1	TITLE PAGE	
2	LEGEND	
3	CUSTOMER INTERFACE	
4	EDGE DISTRIBUTED POWER ARCHITECTURE LINE DIAGRAM	
5	EDGE DISTRIBUTED POWER ARCHITECTURE PDU LINE DIAGRAM	

INITIAL RELEASE			
DES	MGR	DATE	REV ISSUE
LTTS	SS	16-NOV-2020	1

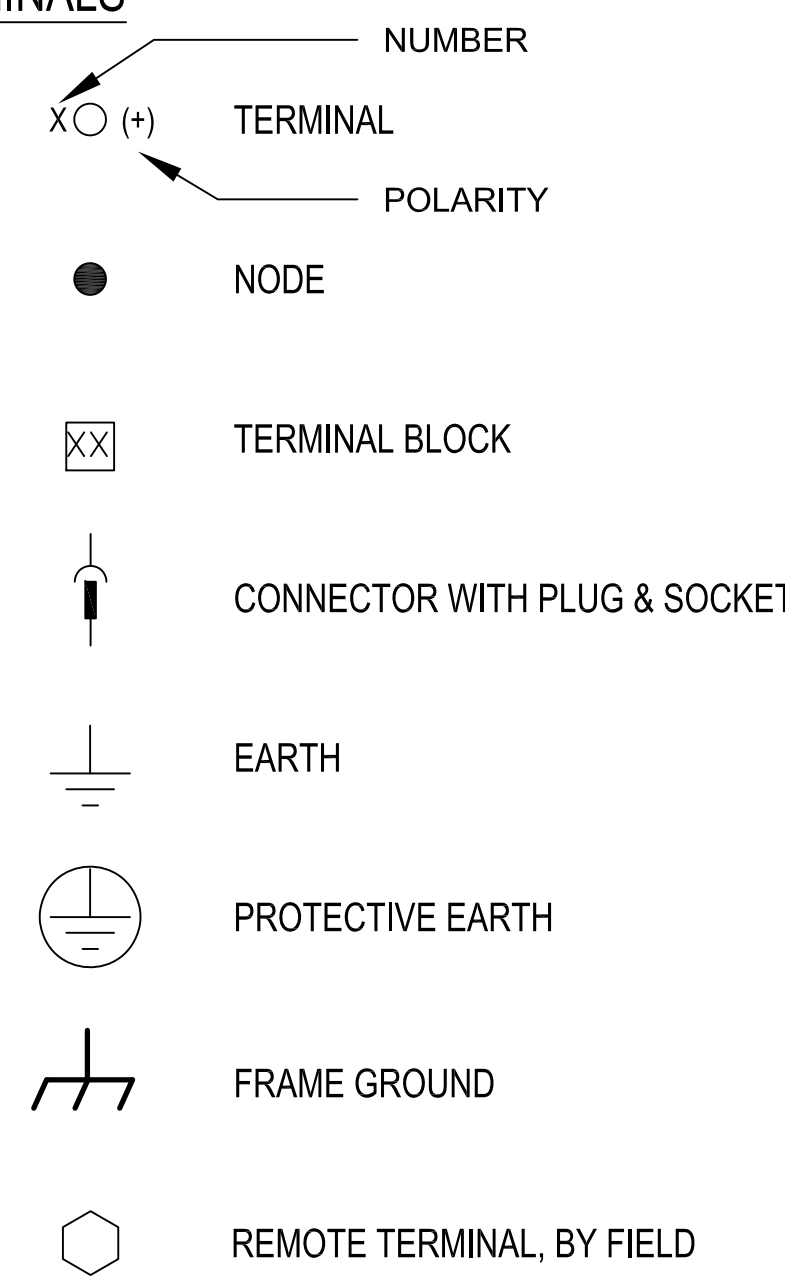
# EDGE DISTRIBUTED POWER ARCHITECTURE LINE DIAGRAM

Copyright©2020 ABB All rights reserved We reserve all rights in this document and in the subject matter and illustrations contained therein. Any reproduction, disclosure to third parties or utilization of its contents – in whole or in parts – is forbidden without prior written consent of ABB. We reserve the right to make technical changes or modify the contents of this document without prior notice. ABB does not accept any responsibility whatsoever for potential errors or possible lack of information in this document. All other trademarks are the property of their respective owners.	ABB PROPRIETARY INFORMATION THIRD ANGLE PROJECTION	
		
	TITLE / DESCRIPTION EDGE DISTRIBUTED POWER ARCHITECTURE	
	SIZE D	PART NUMBER EDGE CAB-SD
SHEET 1 OF 5		

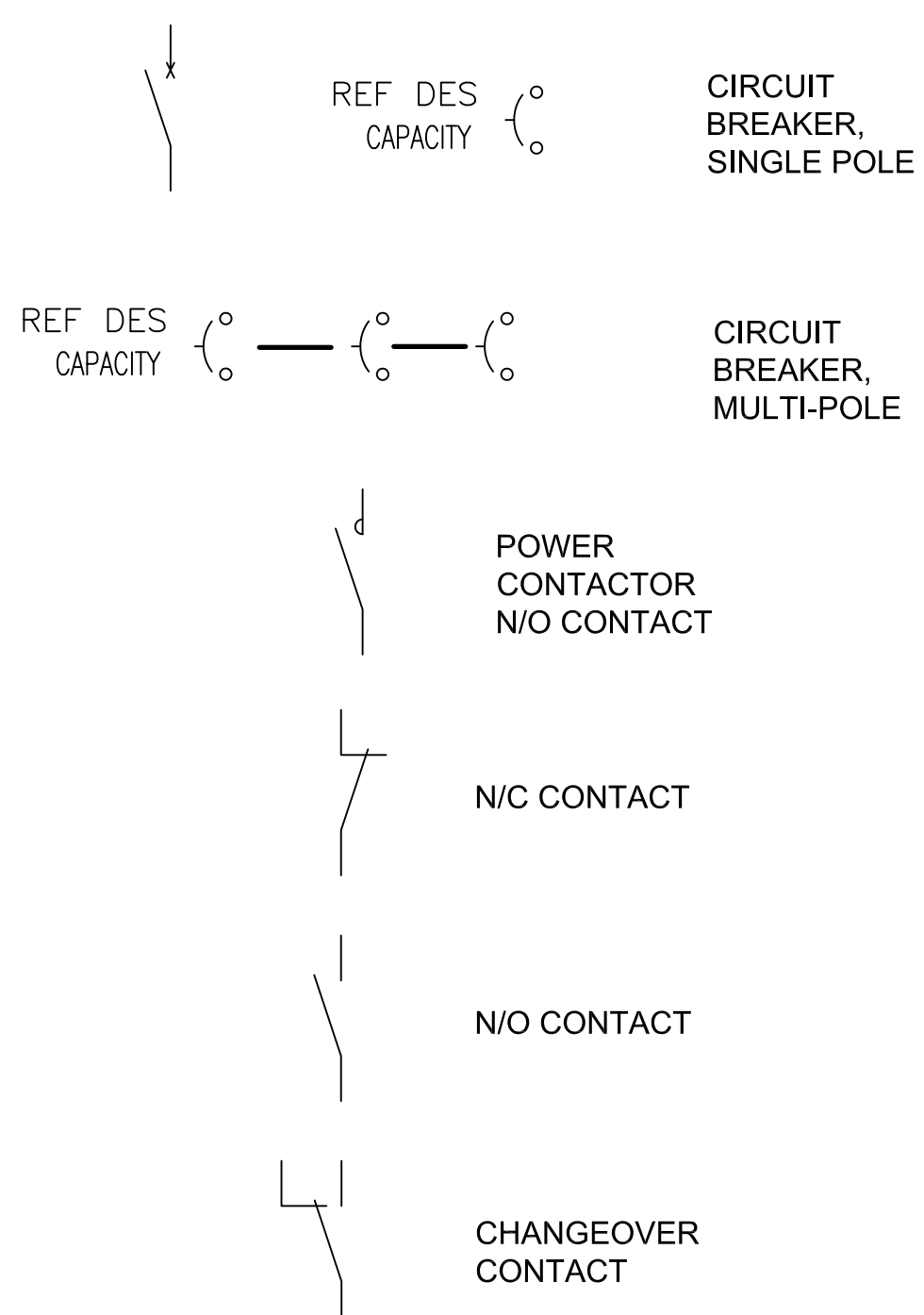
**CONDUCTORS**



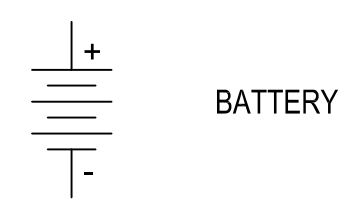
**TERMINALS**



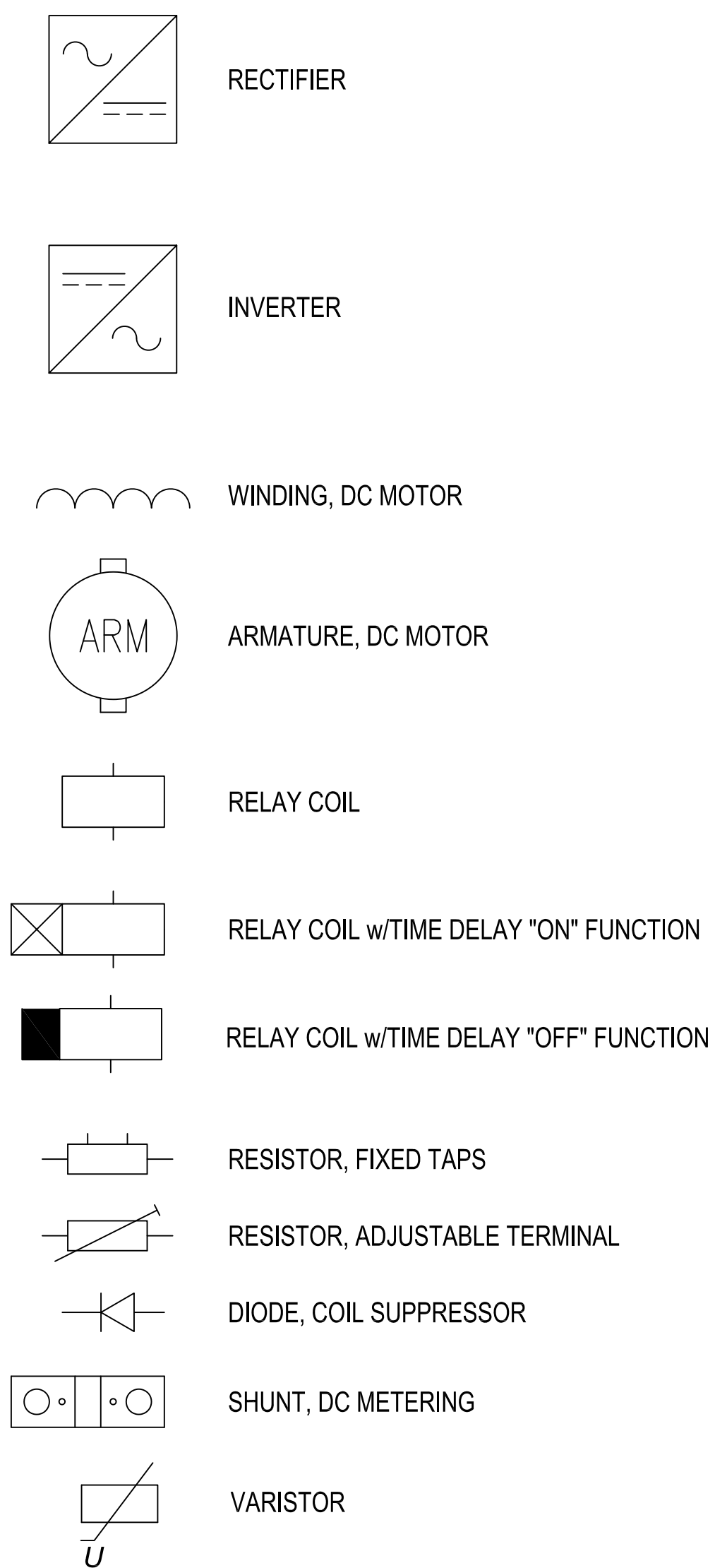
**SWITCHING DEVICES**



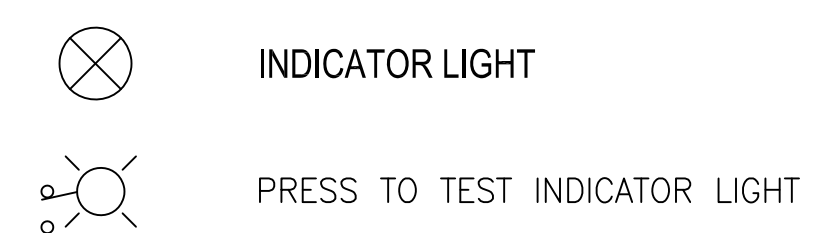
**SOURCES**



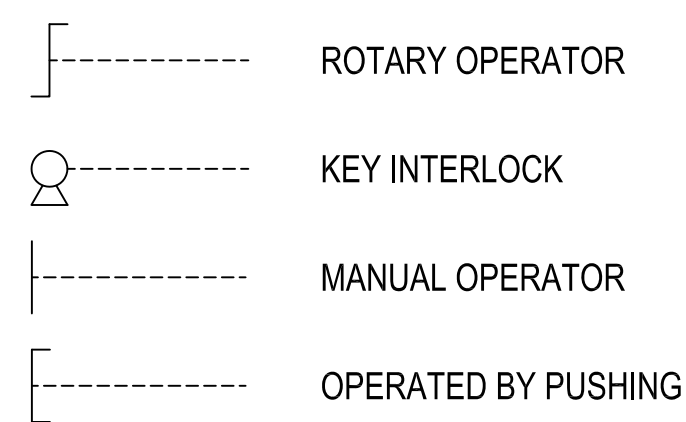
**SYMBOLS**



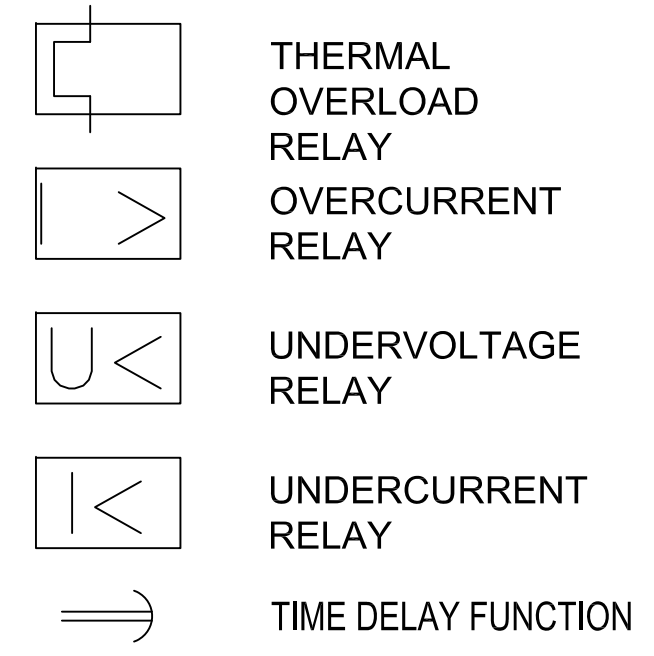
**SIGNALING**



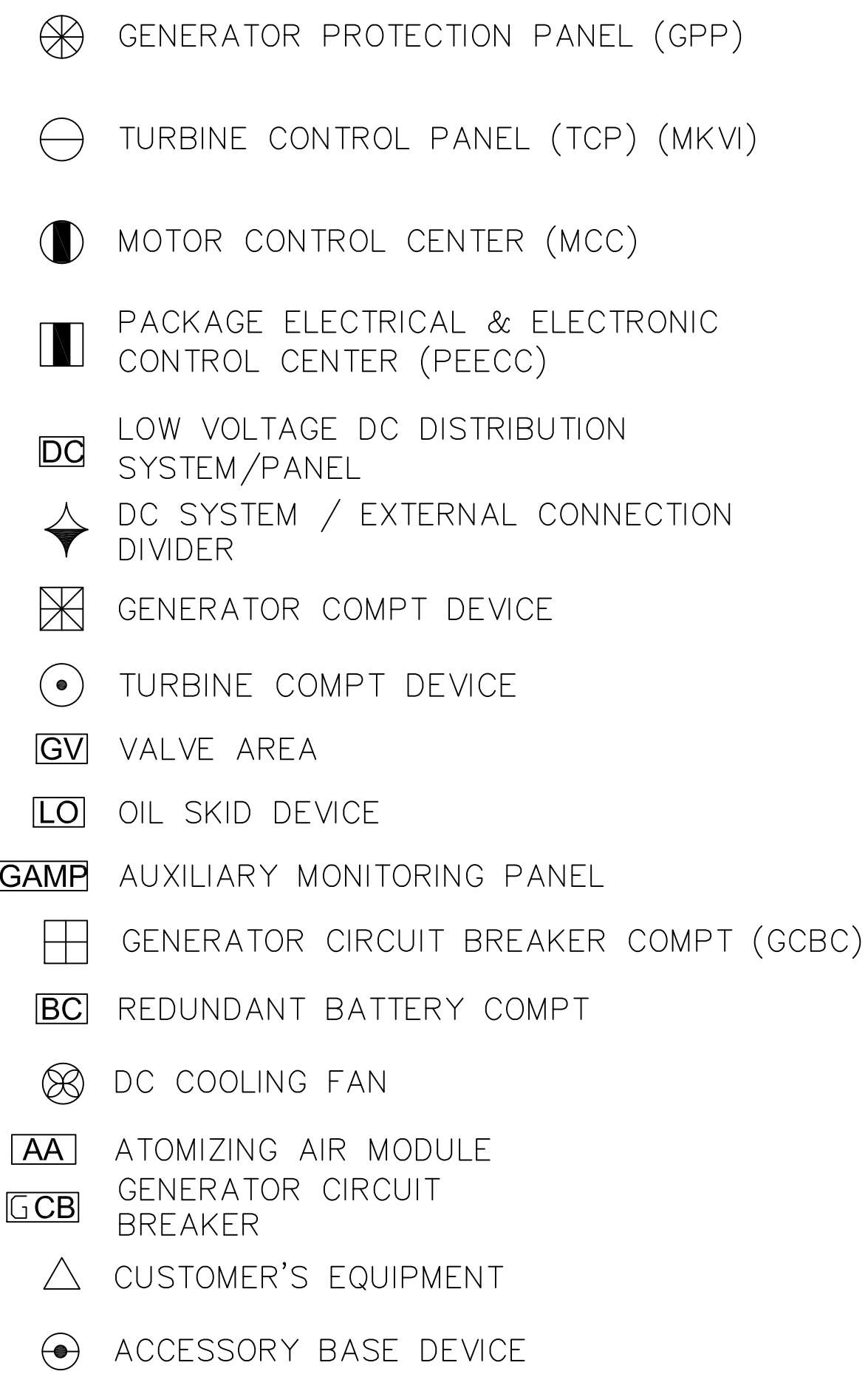
**MECHANICAL**



**DEVICE FUNCTIONS**



**EQUIPMENT LOCATION KEY**



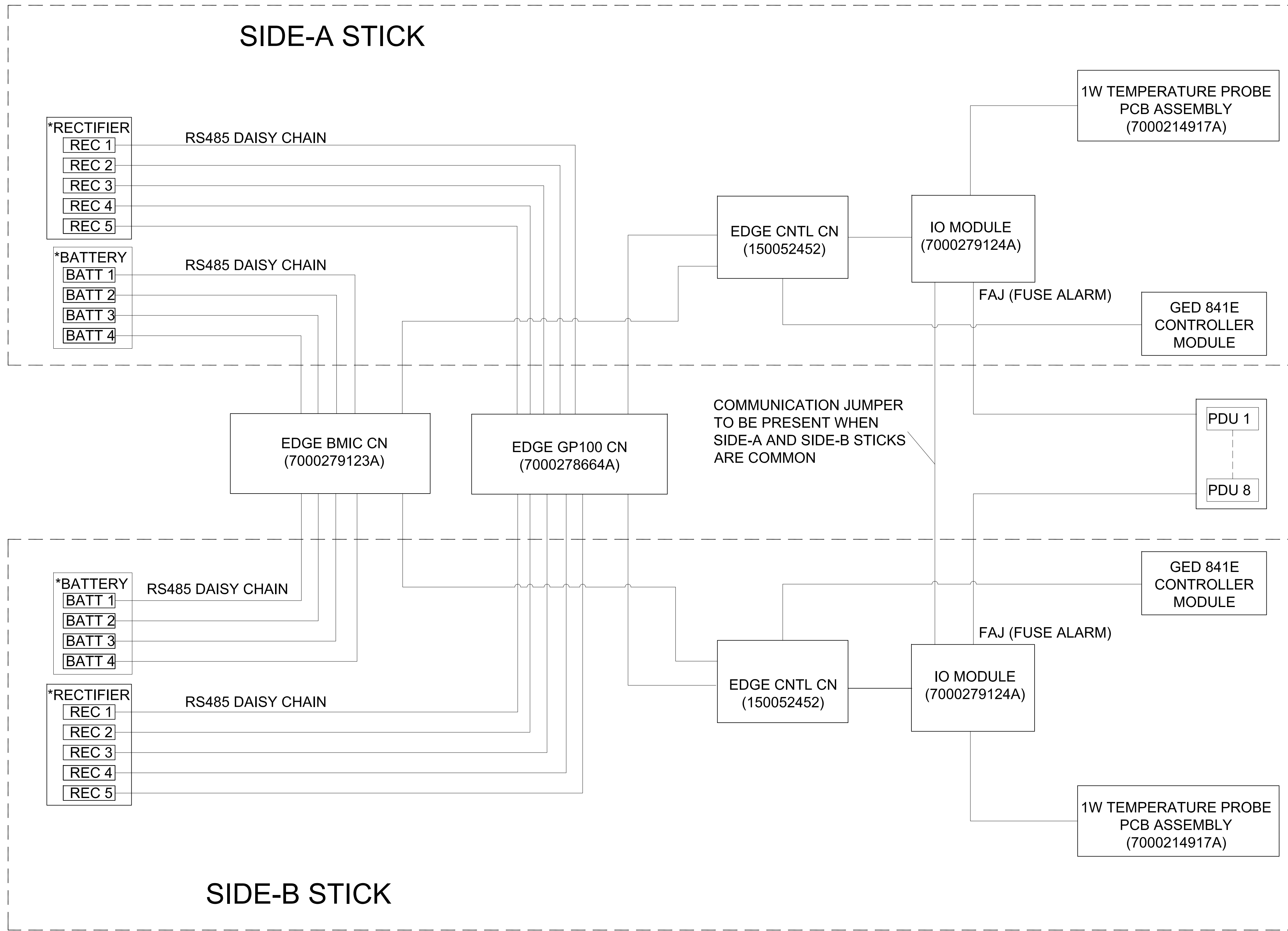
**ACRONYMS**

AUX PMJ	AUXILLARY POWER MAJOR ALARM
AC SPD	AC SURGE PROTECTIVE DEVICE
DC SPD	DC SURGE PROTECTIVE DEVICE
GFD	GROUND FAULT DETECT
PCR	POWER CRITICAL
PMJ	POWER MAJOR ALARM
PMN	POWER MINOR ALARM
RFA	RECTIFIER FAIL ALARM
ACF	AC FAIL ALARM
BD	BATTERY ON DISCHARGE/DC LOW ALARM
GFI	GROUND FAULT INDICATOR
OCD	OVER CURRENT DETECTOR
PBT	PLANT BATTERY TEST

Copyright©2020 ABB  
All rights reserved  
We reserve all rights in this document and in the subject matter and illustrations contained therein. Any reproduction, disclosure to third parties or utilization of its contents - in whole or in parts - is forbidden without prior written consent of ABB. We reserve the right to make technical changes or modify the contents of this document without prior notice. ABB does not accept any responsibility whatsoever for potential errors or possible lack of information in this document. All other trademarks are the property of their respective owners.

ABB PROPRIETARY INFORMATION		
THIRD ANGLE PROJECTION		
TITLE / DESCRIPTION EDGE DISTRIBUTED POWER ARCHITECTURE		
SIZE	PART NUMBER	REV.
D	EDGECAB-SD	1
SHEET 2 OF 5		

# EDGE DISTRIBUTED POWER ARCHITECTURE CONTROL LINE DIAGRAM



SIDE-A CONTROLLER I/O ACCESS		
REF.	FACTORY DEFAULT ASSIGNMENT	FIELD ASSIGNMENT/NOTES (USER CONFIGURABLE)
OUTPUT ALARMS (RATED 60VDC @ 0.5A; DEFAULT AS "OPEN ON ALARM")		
TB-10	R4	
TB-11	R3	
TB-12	R2	
TB-13	R1	
TB-14	PMN – POWER MINOR	
TB-15	PMJ – POWER MAJOR	
INPUTS ("HOT" DC BUS VOLTAGE CONTACT MONITORS)		
TB-17	AMJ (AUXILIARY MAJOR)	
TB-18	AUX1 (COOLING SYSTEM FAIL)	
TB-19	AUX2 ( DOOR OPEN)	
TB-20	AUX (SMOKE DETECTED)	
INPUTS (NORMALLY CLOSED "DRY", NO VOLTAGE, BINARY CONTACT MONITORS)		
TB-25	EMERGENCY POWER OFF (REMOTE BATTERY OPEN)	
TB-26	RECTIFIER INTERLOCK (REMOTE RECTIFIER OFF)	
DIGITAL PORTS		
REF.	DESCRIPTION	
TB-21	1-WIRE TEMPERATURE PROBE FOR ENCLOSURE REAR EXHAUST (1-WIRE SIGNAL ON PIN 1; RETURN ON PIN 2)	
P15 + P16	RS485 / GALAXY PROTOCOL RECTIFIER SERIAL BUS	
LAN	10/100 BASE-T ETHERNET	
J4	RECTIFIER STICK SELECT	PIN 1 & 2
	BMIC STICK SELECT	PIN 7 & 8
	CONTROL STICK SELECT	PIN 10 & 11

SIDE-B CONTROLLER I/O ACCESS		
REF.	FACTORY DEFAULT ASSIGNMENT	FIELD ASSIGNMENT/NOTES (USER CONFIGURABLE)
OUTPUT ALARMS (RATED 60VDC @ 0.5A; DEFAULT AS "OPEN ON ALARM")		
TB-10	R4	
TB-11	R3	
TB-12	R2	
TB-13	R1	
TB-14	PMN – POWER MINOR	
TB-15	PMJ – POWER MAJOR	
INPUTS ("HOT" DC BUS VOLTAGE CONTACT MONITORS)		
TB-17	AMJ (AUXILIARY MAJOR)	
TB-18	AUX1 (COOLING SYSTEM FAIL)	
TB-19	AUX2 ( DOOR OPEN)	
TB-20	AUX (SMOKE DETECTED)	
INPUTS (NORMALLY CLOSED "DRY", NO VOLTAGE, BINARY CONTACT MONITORS)		
TB-25	EMERGENCY POWER OFF (REMOTE BATTERY OPEN)	
TB-26	RECTIFIER INTERLOCK (REMOTE RECTIFIER OFF)	
DIGITAL PORTS		
REF.	DESCRIPTION	
TB-21	1-WIRE TEMPERATURE PROBE FOR ENCLOSURE REAR EXHAUST (1-WIRE SIGNAL ON PIN 1; RETURN ON PIN 2)	
P15 + P16	RS485 / GALAXY PROTOCOL RECTIFIER SERIAL BUS	
LAN	10/100 BASE-T ETHERNET	
J4	RECTIFIER STICK SELECT	PIN 2 & 3
	BMIC STICK SELECT	PIN 8 & 9
	CONTROL STICK SELECT	PIN 11 & 12

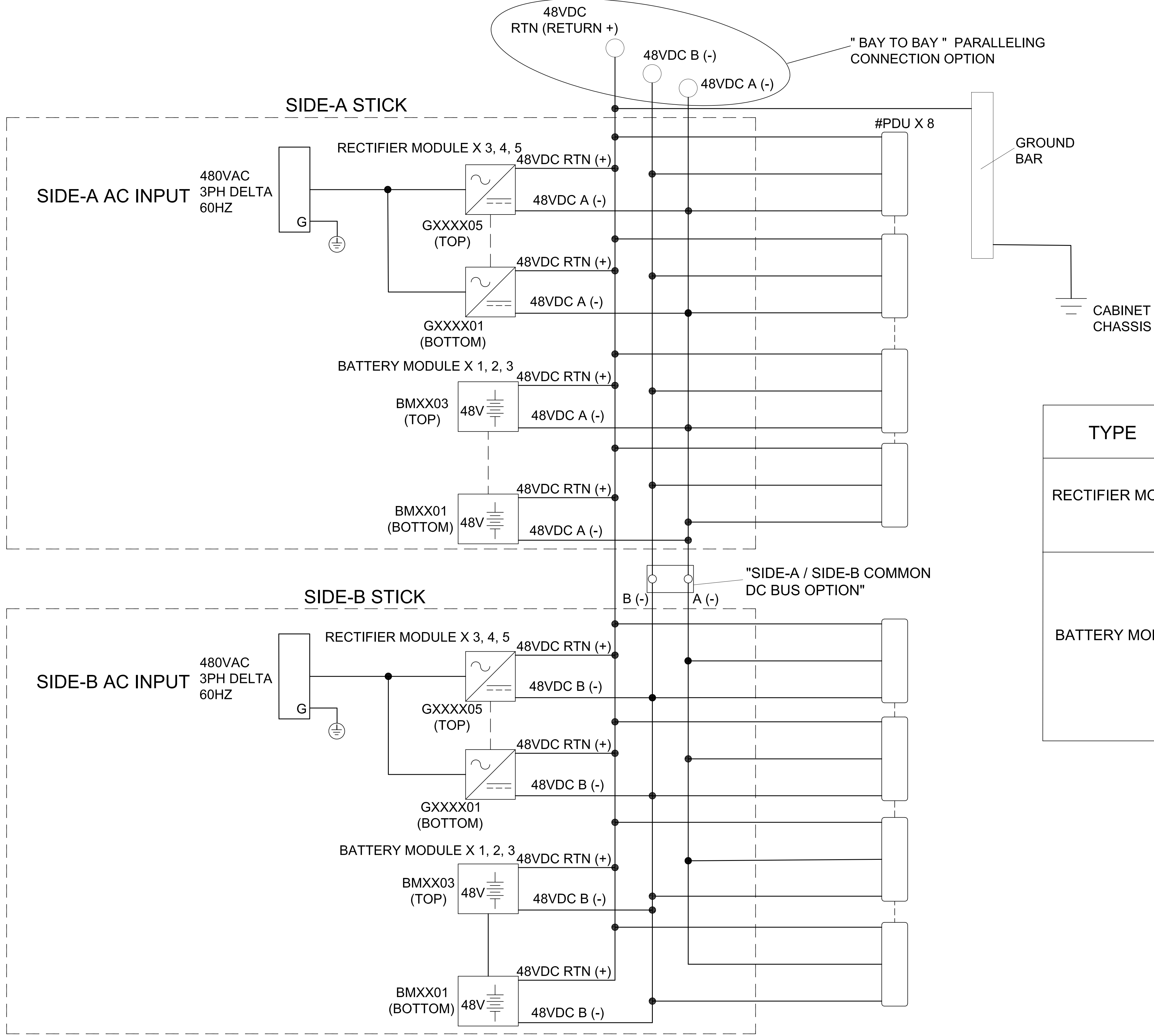
**NOTE:-**

\*ACTUAL NUMBER OF RECTIFIERS AND BATTERIES DEPEND ON CONFIGURATION.

Copyright©2020 ABB  
All rights reserved  
We reserve all rights in this document and in the subject matter and illustrations contained therein. Any reproduction, disclosure to third parties or utilization of its contents – in whole or in parts – is forbidden without prior written consent of ABB. We reserve the right to make technical changes or modify the contents of this document without prior notice. ABB does not accept any responsibility whatsoever for potential errors or possible lack of information in this document. All other trademarks are the property of their respective owners.

ABB PROPRIETARY INFORMATION		
THIRD ANGLE PROJECTION		
EDGE DISTRIBUTED POWER ARCHITECTURE		
SIZE	PART NUMBER	REV.
D	EDGE CAB – SD	1
SHEET 3 OF 5		

# EDGE DISTRIBUTED POWER ARCHITECTURE LINE DIAGRAM



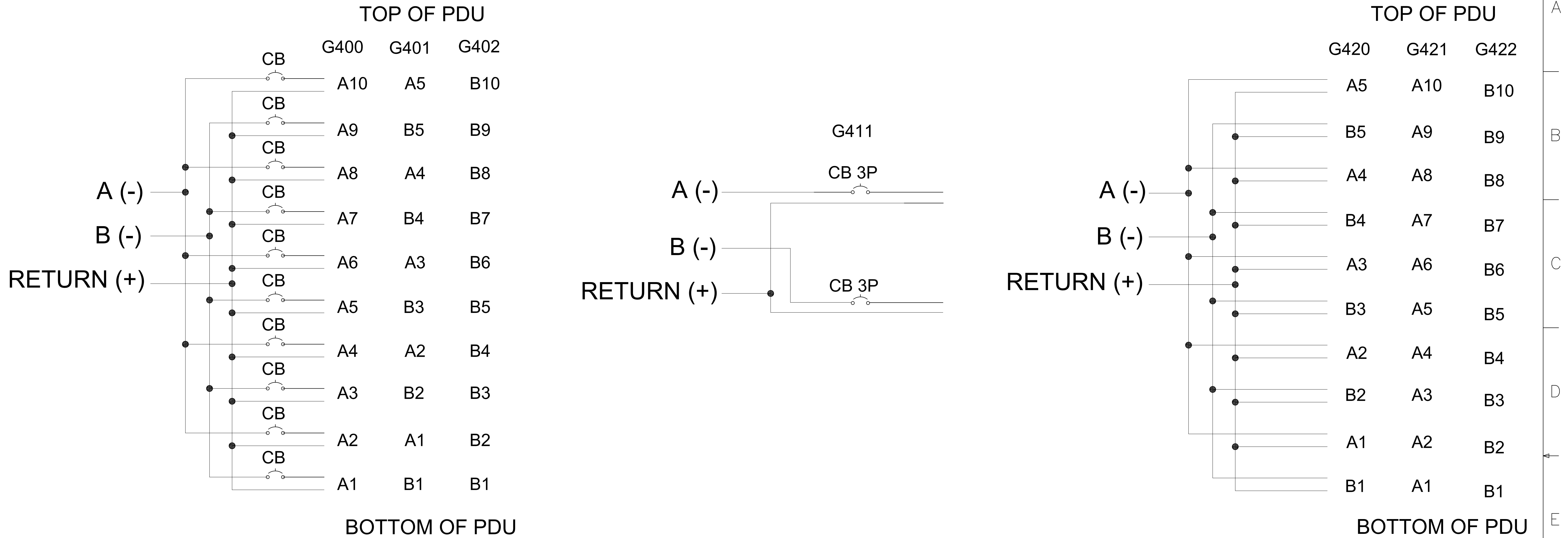
TYPE	DESCRIPTION
RECTIFIER MODULE	GP100H3R48TEZEC RECTIFIER INPUT CURRENT RANGE 10A @ 380VAC, 8A @ 480VAC OUTPUT CURRENT/POWER:110A @ 54.5 VDC ; 125A @ 48VDC
BATTERY MODULE	BME80BATT48AZ BATTERY MODULE 48V NOMINAL (VALVE REGULATED LEAD ACID)
	BME2500/120VRLA48 BATTERY MODULE 48V NOMINAL (VALVE REGULATED LEAD ACID)
	BME2500/60NA-ION48 BATTERY MODULE 48V NOMINAL (SODIUM ION BATTERY)
	BME2500/480NIMH48 BATTERY MODULE 48V NOMINAL (NICKEL METAL HYDRIDE BATTERY)

# 8FT CABINET ACCOMMODATE MAXIMUM 8 PDU  
7FT CABINET ACCOMMODATE MAXIMUM 6 PDU

Copyright©2020 ABB  
All rights reserved  
We reserve all rights in this document and in the subject matter and illustrations contained therein. Any reproduction, disclosure to third parties or utilization of its contents – in whole or in parts – is forbidden without prior written consent of ABB. We reserve the right to make technical changes or modify the contents of this document without prior notice. ABB does not accept any responsibility whatsoever for potential errors or possible lack of information in this document. All other trademarks are the property of their respective owners.

ABB PROPRIETARY INFORMATION		
THIRD ANGLE PROJECTION		
TITLE / DESCRIPTION EDGE DISTRIBUTED POWER ARCHITECTURE		
SIZE D	PART NUMBER EDGECAB-SD	REV. 1
SHEET 4 OF 5		

# EDGE DISTRIBUTED POWER ARCHITECTURE PDU LINE DIAGRAM



TYPE	GROUP NUMBER	DESCRIPTION	BREAKER AMPACITY	PANEL AMPACITY
DISTRIBUTION	EDGE CABG400	10 POSITION BULLET BREAKER PANEL - RED (SINGLE DC BUS)	10-100A	400A
	EDGE CABG401	10 POSITION BULLET BREAKER PANEL (A / B DC BUS)	10-100A	400A
	EDGE CABG402	10 POSITION BULLET BREAKER PANEL - BLUE (SINGLE DC BUS)	10-100A	400A
	EDGE CABG410	TBD	TBD	TBD
	EDGE CABG411	2 POSITION LARGE BULLET BREAKER PANEL	125-250A	400A
	EDGE CABG420	10 POSITION BATTERY PANEL (A / B DC BUS)	N/A	600A (CONTINUOUS) 1000A (5 MIN)
	EDGE CABG421	10 POSITION BATTERY PANEL - RED (SINGLE DC BUS)	N/A	600A (CONTINUOUS) 1000A (5 MIN)
	EDGE CABG422	10 POSITION BATTERY PANEL - BLUE (SINGLE DC BUS)	N/A	600A (CONTINUOUS) 1000A (5 MIN)

Copyright©2020 ABB  
All rights reserved  
We reserve all rights in this document and in the subject matter and illustrations contained therein. Any reproduction, disclosure to third parties or utilization of its contents - in whole or in parts - is forbidden without prior written consent of ABB. We reserve the right to make technical changes or modify the contents of this document without prior notice. ABB does not accept any responsibility whatsoever for potential errors or possible lack of information in this document. All other trademarks are the property of their respective owners.

ABB PROPRIETARY INFORMATION

THIRD ANGLE PROJECTION

TITLE / DESCRIPTION  
EDGE DISTRIBUTED POWER ARCHITECTURE

SIZE: D PART NUMBER: EDGE CAB-SD REV. 1

SHEET 5 OF 5