

FemtoDlynxII™ Series Evaluation Board Documentation

The FemtoDlynxII™ series evaluation board (FKX003/006) comes with an assembled module and test components. The specific combination of module and the board can be ordered through your sales representative.

1. Schematics

Component values are for reference only; refer to the data sheet for appropriate values and pictures in this document for preinstalled component

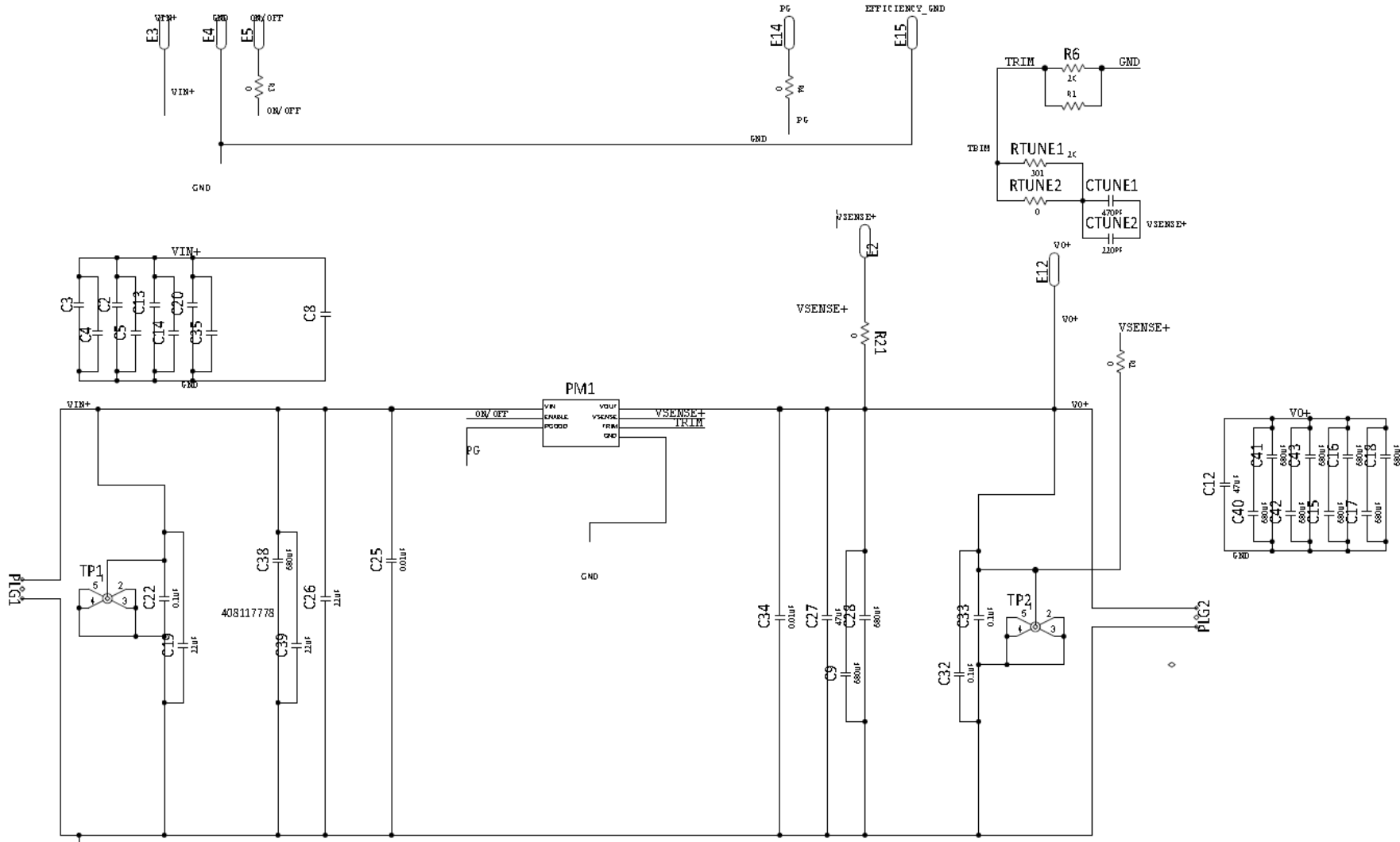


Figure 1 - Schematic of the FemtoDlynx™ single footprint evaluation board.

Component values are for reference only; refer to the data sheet for appropriate values and pictures in this document for preinstalled components

FemtoDLynxII™ Evaluation Board Guide

2. Physical Description

An annotated photograph of the FemtoDLynxII™, single footprint evaluation board is shown below. The arrows indicate locations of various components. Pre-installed components for the FemtoDLynx™ - Input filtering (0.1uF, 16V), (4x22uF,16V),(470uF,16V)] 2 of the input capacitors on the bottom-side, Output filtering [(0.1uF, 16V), (4x22uF,16V)]. R_{SENSE} resistor, $R_{21} = 0$ Ohms, Trim Resistor $R_6 = 20K$ and some test points.

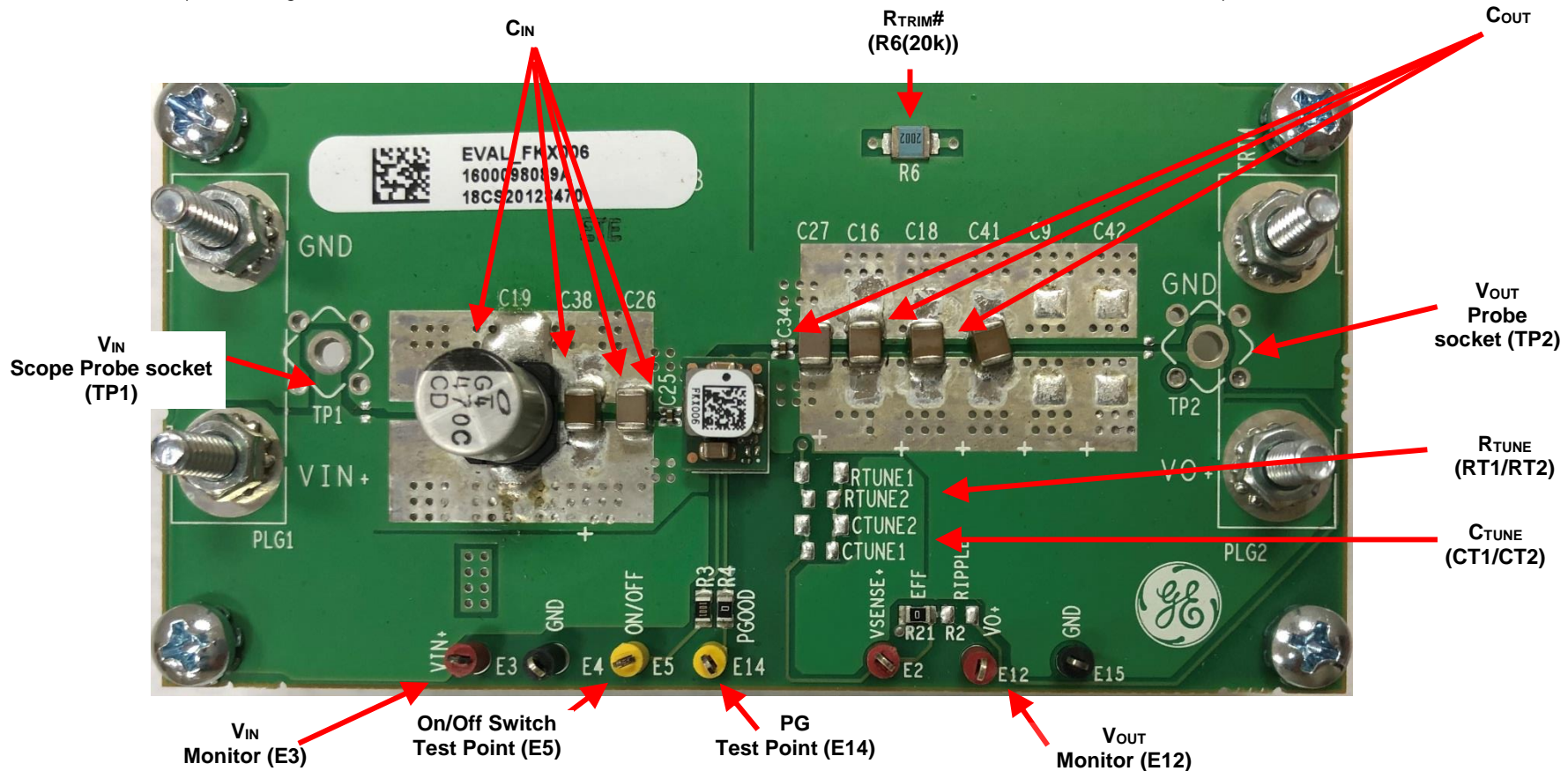


Figure 2. Power and Analog Signal Interface for the Femto Eval Board



FemtoDLynxII™ Evaluation Board Guide

Contact Us

For more information, call us at

USA/Canada:

+1 888 546 3243, or +1 972 244 9288

Asia-Pacific:

+86.021.54279977*808

Europe, Middle-East and Africa:

+49.89.878067-280

www.gecriticalpower.com

ABB reserves the right to make changes to the product(s) or information contained herein without notice, and no liability is assumed as a result of their use or application. No rights under any patent accompany the sale of any such product(s) or information.

