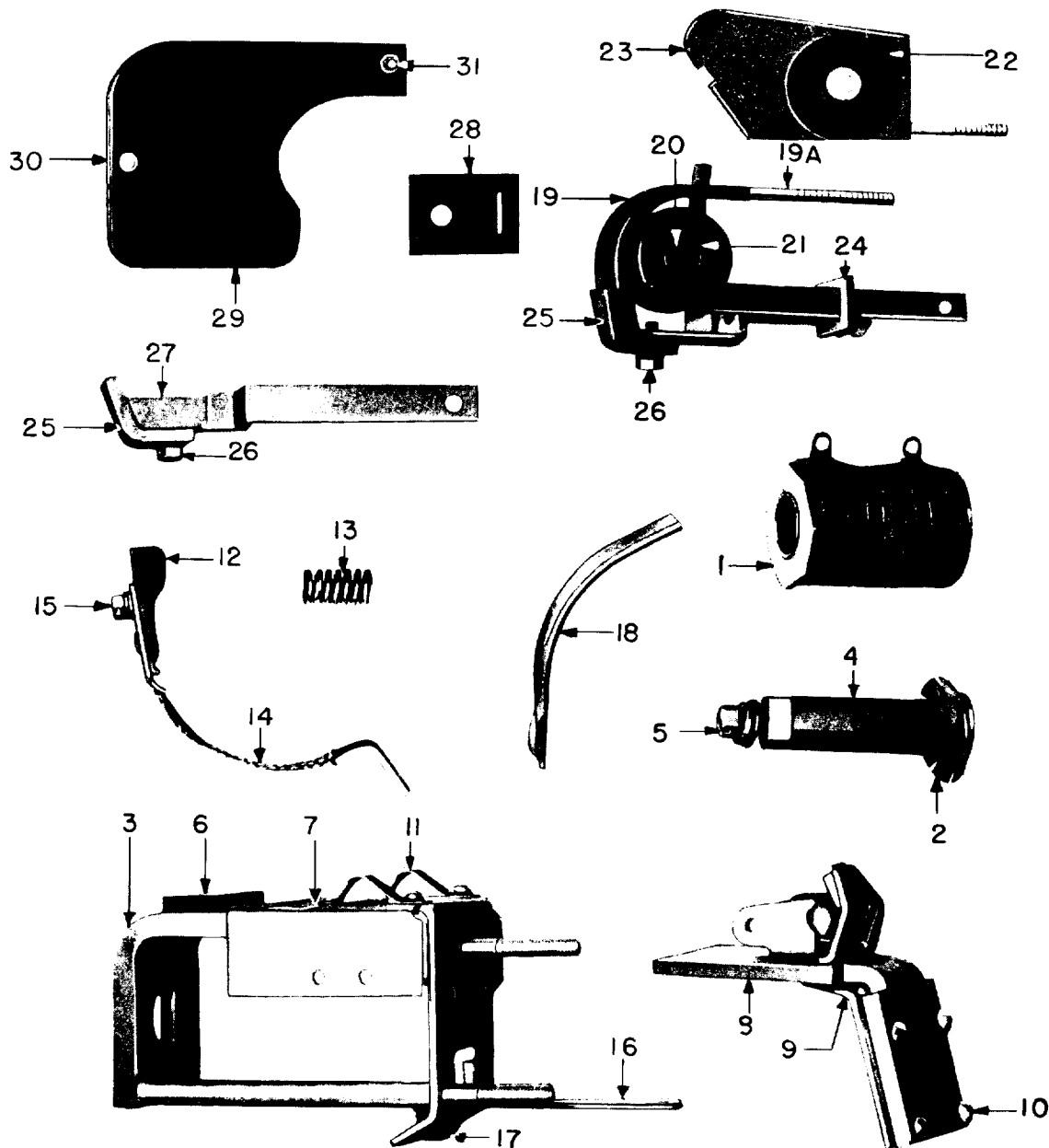


RENEWAL PARTS

DS2800-1172 CONTACTORS

Forms AH thru BJ

NOTE:—When ordering parts for a form of the compensator not covered by this bulletin, give reference number, description of part, complete nameplate reading, and above bulletin (GEF) number. Do not use catalog number when form for which the parts are needed is not covered by the bulletin.



When ordering renewal parts, give quantity, catalog number, description of each item required, and complete nameplate reading.

GENERAL  ELECTRIC

DS2800-1172 CONTACTORS

PARTS RECOMMENDED FOR NORMAL STOCK

Ref. No.	No. Req. for DS2800-1172																	Cat. No.	Description	
	AH	AJ	AK	AL	AM	AS	AU	AV	AW	BA	BB	BC	BD	BE	BF	BG	BH			BJ
1	1	1	1	1	1	1	1	1	1	1	1	1	1	1	1	1	1	1	-----	Operating coils (see table below)
	Δ	Δ	Δ	Δ	Δ	Δ	Δ	Δ	Δ	Δ	Δ	Δ	Δ	Δ	Δ	Δ	Δ	Δ	-----	Set of interlock contacts (see table on page 3)
12	1	1	1	-	-	1	-	1	1	1	-	-	1	-	1	1	1	1	5351643	Movable contact tip
12	-	-	-	1	1	-	1	-	-	-	1	1	-	1	-	-	-	-	5306170G2	Movable contact tip
25	1	1	1	-	-	1	-	1	1	1	-	-	1	-	1	1	1	1	5352149	Stationary contact tip
25	-	-	-	1	1	-	1	-	-	-	1	1	-	1	-	-	-	-	5306170G6	Stationary contact tip
13	1	1	1	1	1	1	1	1	1	1	1	1	1	1	1	1	1	1	2414865	Compression spring for movable tip
14	1	1	1	1	1	1	1	1	1	1	1	1	1	1	1	1	1	1	5300851G1	Shunt for movable tip
†7	1	1	1	1	1	1	1	1	1	1	1	1	1	1	1	1	1	1	8650024P3	Fulcrum plate (stationary)
†9	1	1	1	1	1	1	1	1	1	1	1	1	1	1	1	1	1	1	8650148P2	Fulcrum plate for armature (movable)
11	2	2	2	2	2	2	2	-	-	-	-	-	-	-	-	-	-	-	8200046P2	Fulcrum spring for armature
29	1	-	1	1	-	-	-	-	-	-	-	-	-	-	-	-	-	-	3671036P2	Arc chute side, right-hand
30	1	-	1	1	-	-	-	-	-	-	-	-	-	-	-	-	-	-	3671035P2	Arc chute side, left-hand

Δ If interlock is used, a quantity of one set is required for each switch unit.

† When ordering movable plate, also replace stationary plate.

Ref. No. 1 - OPERATING COILS - (1 required)

NOTE:- The last number in the nameplate rating is the operating coil number.

EXAMPLE:- DS2800-1172-AH5 requires operating coil No. 5, Cat. No. 22D101G5A, Rectifier DS3500A403B3, Pick-up Resistor A50E250DA-TH and Auxiliary Contactor CR2810A14AC5.

Coil No.	Coil Cat. No. 1 Required	Rectifier 1 Required	Pick-up Resistor 1 Required	†Auxiliary Contactor 1 Required
2	22D101G2A	-----	-----	-----
3	22D101G3A	-----	-----	-----
4	22D101G4A	-----	-----	-----
5	22D101G5A	-----	-----	-----
5	22D101G5A	IC3500A403B3	A50E250DA-TH	CR2810A14AC5
6	22D101G6A	-----	-----	-----
7	22D101G1A	-----	-----	-----
8	22D101G7A	-----	-----	-----
9	22D101G8A	-----	-----	-----
9	22D101G8A	IC3500A403B1	-----	-----
10	22D101G9	-----	-----	-----
11	22D101G12A	-----	-----	-----
12	22D101G14A	-----	-----	-----
13	22D101G10A	-----	-----	-----
14	22D101G15A	-----	-----	-----
15	22D101G11A	-----	-----	-----
15	22D101G11A	IC3500A403B1	A50E250DA-TH	CR2810A14AC3
16	22D101G16A	-----	-----	-----
17	22D101G17A	-----	-----	-----
18	22D101G17A	-----	-----	-----
18	22D101G17A	IC3500A403B3	A50E250DA-TH	CR2810A14AC4
19	22D101G18A	-----	-----	-----
20	22D101G19A	-----	-----	-----
22	22D101G15A	-----	-----	-----
23	22D101G21A	-----	-----	-----
25	22D101G27A	-----	-----	-----
26	22D101G28A	-----	-----	-----
27	22D101G112A	-----	-----	-----
28	22D101G119A	-----	-----	-----
29	22D101G111A	-----	-----	-----
30	22D101G120A	-----	-----	-----
31	22D101G26A	-----	-----	-----

† For auxiliary contactor parts refer to GEF-4210.

DS2800-1172 CONTACTORS

GEF-3092

ELECTRICAL INTERLOCKS

Forms AV, BA, BB, BE, BG, and BH Only

NOTE: The interlock is identified by the letter following the coil number in the DS designation.

EXAMPLE: DS2800-1172-AV-2-B requires interlock letter B, Cat. No. DS2956A200C.

Interlock Letter	Interlock Switch Unit		Mounting Kit (1 per Intl'k)	*Set of Contacts (1 Intl'k)	Interlock Letter	Interlock Switch Unit		Mounting Kit (1 per Intl'k)	*Set of Contacts (1 Intl'k)
	Left-hand	Right-hand				Left-hand	Right-hand		
	Cat. No.	Cat. No.	Cat. No.	Cat. No.		Cat. No.	Cat. No.	Cat. No.	Cat. No.
B	IC2956A200C	-----	IC2956A203C	6960053G3	BJ	IC2956A200B	IC2956A200AC	IC2956A203C	6960053G3
C	IC2956A200A	-----	IC2956A203C	6960053G3				IC2956A203C	6960053G23
D	IC2956A200B	-----	IC2956A203C	6960053G3	BK	IC2956A200B	IC2956A200AB	IC2956A203C	6960053G22
E	-----	IC2956A200C	IC2956A203C	6960053G3				IC2956A203C	6960053G3
F	-----	IC2956A200A	IC2956A203C	6960053G3	BL	IC2956A200A	IC2956A205A	IC2956A203C	6960053G3
G	-----	IC2956A200B	IC2956A203C	6960053G3				IC2956A203C	6960053G24
H	IC2956A200A	IC2956A200A	IC2956A203C	6960053G3	BM	IC2956A200A	IC2956A205C	IC2956A203C	6960053G24
J	IC2956A200B	IC2956A200B	IC2956A203C	6960053G3				IC2956A203C	6960053G3
K	IC2956A200C	IC2956A200C	IC2956A203C	6960053G3	BN	IC2956A200A	IC2956A205B	IC2956A203C	6960053G3
L	IC2956A200C	IC2956A200A	IC2956A203C	6960053G3				IC2956A203C	6960053G24
M	IC2956A200C	IC2956A200B	IC2956A203C	6960053G3	BP	IC2956A200C	IC2956A205A	IC2956A203C	6960053G24
N	IC2956A200A	IC2956A200C	IC2956A203C	6960053G3				IC2956A203C	6960053G3
P	-----	IC2956A200AJ	IC2956A203C	6960053G3	BR	IC2956A200C	IC2956A205C	IC2956A203C	6960053G3
R	-----	IC2956A200AJ	IC2956A203C	6960053G3				IC2956A203C	6960053G24
S	IC2956A200A	IC2956A200C	IC2956A203C	6960053G3	BS	IC2956A200C	IC2956A205B	IC2956A203C	6960053G24
T	-----	IC2956A200AH	IC2956A203C	6960053G3				IC2956A203C	6960053G3
V	-----	IC2956A200AK	IC2956A203C	6960053G3	BT	IC2956A200B	IC2956A205A	IC2956A203C	6960053G3
W	IC2956A200AJ	IC2956A200AJ	IC2956A203C	6960053G3				IC2956A203C	6960053G24
AB	IC2956A200AC	-----	IC2956A203C	6960053G22	BV	IC2956A200B	IC2956A205B	IC2956A203C	6960053G3
AC	IC2956A200AA	-----	IC2956A203C	6960053G22				IC2956A203C	6960053G24
AD	IC2956A200AB	-----	IC2956A203C	6960053G22	BW	IC2956A200B	IC2956A205B	IC2956A203C	6960053G3
AE	-----	IC2956A200AC	IC2956A203C	6960053G22				IC2956A203C	6960053G24
AF	-----	IC2956A200AA	IC2956A203C	6960053G22	CB	IC2956A205C	-----	IC2956A203C	6960053G24
AG	-----	IC2956A200AB	IC2956A203C	6960053G22	CC	IC2956A205A	-----	IC2956A203C	6960053G24
AH	IC2956A200AA	IC2956A200AA	IC2956A203C	6960053G22	CD	IC2956A205B	-----	IC2956A203C	6960053G24
AJ	IC2956A200AB	IC2956A200AB	IC2956A203C	6960053G22	CE	-----	IC2956A205C	IC2956A203C	6960053G24
AK	IC2956A200AC	IC2956A200AC	IC2956A203C	6960053G22	CF	-----	IC2956A205A	IC2956A203C	6960053G24
AL	IC2956A200AC	IC2956A200AA	IC2956A203C	6960053G22	CG	-----	IC2956A205B	IC2956A203C	6960053G24
AM	IC2956A200AC	IC2956A200AB	IC2956A203C	6960053G22	CH	IC2956A205B	IC2956A200B	IC2956A203C	6960053G46
AN	IC2956A200AA	IC2956A200AC	IC2956A203C	6960053G22				IC2956A203C	6960053G3
BB	IC2956A200A	IC2956A200AA	IC2956A203C	6960053G22	CJ	IC2956A205B	IC2956A200C	IC2956A203C	6960053G46
BC	IC2956A200A	IC2956A200AC	IC2956A203C	6960053G3				IC2956A203C	6960053G3
BC	IC2956A200A	IC2956A200AC	IC2956A203C	6960053G22	CK	IC2956A205B	IC2956A200A	IC2956A203C	6960053G46
									6960053G3
BD	IC2956A200A	IC2956A200AB	IC2956A203C	6960053G22	CL	IC2956A205C	IC2956A200B	IC2956A203C	6960053G46
									6960053G3
BE	IC2956A200C	IC2956A200AA	IC2956A203C	6960053G3	CM	IC2956A205C	IC2956A200C	IC2956A203C	6960053G46
									6960053G23
BF	IC2956A200C	IC2956A200AC	IC2956A203C	6960053G3	CN	IC2956A205C	IC2956A200A	IC2956A203C	6960053G46
									6960053G22
BG	IC2956A200C	IC2956A200AB	IC2956A203C	6960053G3	CP	IC2956A205A	IC2956A200B	IC2956A203C	6960053G46
									6960053G22
BH	IC2956A200B	IC2956A200AA	IC2956A203C	6960053G3	CR	IC2956A205A	IC2956A200C	IC2956A203C	6960053G46
									6960053G23

Forms AW, BC and BF Only

B	IC2956A200C	-----	IC2956A203C	6960053G3	H	IC2956A200A	IC2956A200A	IC2956A203C	6960053G3
C	IC2956A200A	-----	IC2956A203C	6960053G3	J	IC2956A200B	IC2956A200B	IC2956A203C	6960053G3
D	IC2956A200B	-----	IC2956A203C	6960053G3	K	IC2956A200C	IC2956A200C	IC2956A203C	6960053G3
E	-----	IC2956A200C	IC2956A203C	6960053G3	L	IC2956A200C	IC2956A200A	IC2956A203C	6960053G3
F	-----	IC2956A200A	IC2956A203C	6960053G3	M	IC2956A200C	IC2956A200B	IC2956A203C	6960053G3
G	-----	IC2956A200B	IC2956A203C	6960053G3					

Form BJ Only

B	IC2956A200C	-----	IC2956A203C	6960053G3	K	IC2956A200C	IC2956A200C	IC2956A203C	6960053G3
C	IC2956A200B	-----	IC2956A200C	6960053G3	L	IC2956A200C	IC2956A200B	IC2956A200C	6960053G3
D	IC2956A200A	-----	IC2956A200C	6960053G3	M	IC2956A200B	IC2956A200B	IC2956A200C	6960053G3
E	-----	IC2956A200C	IC2956A200C	6960053G3	N	-----	IC2956A200AJ	IC2956A200C	6960053G3
F	-----	IC2956A200B	IC2956A200C	6960053G3	P	-----	IC2956A200AK	IC2956A200C	6960053G3
G	-----	IC2956A200A	IC2956A200C	6960053G3	R	-----	IC2956A200AH	IC2956A200C	6960053G3
H	IC2956A200A	IC2956A200A	IC2956A200C	6960053G3	S	IC2956A200AK	-----	IC2956A200C	6960053G3
J	IC2956A200A	IC2956A200C	IC2956A200C	6960053G3					

* Includes movable and stationary contacts, springs, and contact-holding screws.

COMPLETE LIST OF PARTS

Ref. No.	No. Req. for DS2800-1172													Cat. No.	Description					
	AH	AJ	AK	AL	AM	AS	AU	AV	AW	BA	BB	BC	BD			BE	BF	BG	BH	BJ
2	1	1	1	1	1	1	1	1	1	1	1	1	1	1	1	1	1	1	1443082	Spring washer for operating coil
3	1	1	1	1	1	1	1	1	1	1	1	1	1	1	1	1	1	1	8650144G1	Δ Magnet frame
3	1	1	1	1	1	1	1	1	1	1	1	1	1	1	1	1	1	1	8650144G2	Δ Magnet frame
4	1	1	1	1	1	1	1	1	1	1	1	1	1	1	1	1	1	1	5304780G2	Magnet core
5	1	1	1	1	1	1	1	1	1	1	1	1	1	1	1	1	1	1	N22P25012B	Screw fastening magnet core
6	1	1	1	1	1	1	1	1	1	1	1	1	1	1	1	1	1	1	8067092P2	Stop plate for armature
7	2	2	2	2	2	2	2	2	2	2	2	2	2	2	2	2	2	2	N144P16012C	Screw and washer assembly for stop plate
8	1	1	1	1	1	1	1	1	1	1	1	1	1	1	1	1	1	1	8650024P3	Fulcrum plate (stationary)
9	1	1	1	1	1	1	1	1	1	1	1	1	1	1	1	1	1	1	N22P21010B6	Screw fastening fulcrum plate
10	4	4	4	4	4	4	4	4	4	4	4	4	4	4	4	4	4	4	8650148P2	Δ Armature with contact tip support
11	1	1	1	1	1	1	1	1	1	1	1	1	1	1	1	1	1	1	N22P21010B6	Fulcrum plate for armature (movable)
12	2	2	2	2	2	2	2	2	2	2	2	2	2	2	2	2	2	2	8200046P2	Mounting screws for fulcrum plates (1/4-20 x .625)
12	1	1	1	1	1	1	1	1	1	1	1	1	1	1	1	1	1	1	N37P16005B	Fulcrum spring for armature
13	1	1	1	1	1	1	1	1	1	1	1	1	1	1	1	1	1	1	5351643	Screw fastening fulcrum spring (10-32)
14	1	1	1	1	1	1	1	1	1	1	1	1	1	1	1	1	1	1	5306170G2	Movable contact tip
15	2	2	2	2	2	2	2	2	2	2	2	2	2	2	2	2	2	2	2414865	Movable contact tip
16	1	1	1	1	1	1	1	1	1	1	1	1	1	1	1	1	1	1	5300851G1	Compression spring for contact tip
17	1	1	1	1	1	1	1	1	1	1	1	1	1	1	1	1	1	1	N22P23008B	Shunt for movable tip
18	1	1	1	1	1	1	1	1	1	1	1	1	1	1	1	1	1	1	5352113	Screw fastening shunt to tip (5/16-18-1/2)
19	1	1	1	1	1	1	1	1	1	1	1	1	1	1	1	1	1	1	N62P25014B	Bus bar for shunt
19	1	1	1	1	1	1	1	1	1	1	1	1	1	1	1	1	1	1	5300892	Bolt fastening bus bar and shunt or terminal to frame 3/8 in. -16
19A	1	1	1	1	1	1	1	1	1	1	1	1	1	1	1	1	1	1	N22P23008B	Arcing horn
19	1	1	1	1	1	1	1	1	1	1	1	1	1	1	1	1	1	1	6914805G4	Screw fastening arcing horn (5/16 in. -18)
20	1	1	1	1	1	1	1	1	1	1	1	1	1	1	1	1	1	1	6914805G1	Blowout coil with support
21	1	1	1	1	1	1	1	1	1	1	1	1	1	1	1	1	1	1	6914804G4	Blowout coil with support
23	1	1	1	1	1	1	1	1	1	1	1	1	1	1	1	1	1	1	5960662G6	Supporting stud for blowout coil support
24	1	1	1	1	1	1	1	1	1	1	1	1	1	1	1	1	1	1	6903416	Blowout coil with support
25	1	1	1	1	1	1	1	1	1	1	1	1	1	1	1	1	1	1	6903415P1	Magnet core for blowout coil
25	1	1	1	1	1	1	1	1	1	1	1	1	1	1	1	1	1	1	6951296	Insulation sleeve for core
26	1	1	1	1	1	1	1	1	1	1	1	1	1	1	1	1	1	1	6907875P1	Insulation washer for blowout coil (right-hand)
27	1	1	1	1	1	1	1	1	1	1	1	1	1	1	1	1	1	1	6951297	Insulation washer for blowout coil (left-hand)
28	1	1	1	1	1	1	1	1	1	1	1	1	1	1	1	1	1	1	6914806P2	Pole piece for blowout coil (right-hand)
29	1	1	1	1	1	1	1	1	1	1	1	1	1	1	1	1	1	1	6914815G1	Pole piece for blowout coil (left-hand)
30	1	1	1	1	1	1	1	1	1	1	1	1	1	1	1	1	1	1	N22P23040B	Screw for pole pieces and core (5/16 in. -18)
31	1	1	1	1	1	1	1	1	1	1	1	1	1	1	1	1	1	1	8690535P1	Fulcrum retainer
																			5351630P1	Insulation supporting plate for blowout coil
																			5352149	Stationary contact tip
																			5306170G6	Stationary contact tip
																			N22P23012B	Screw fastening tip to support (3/4 in. -18)
																			5341043G2	Support for stationary contact tip with bus bar
																			5359190	Insulation support for bus bar
																			N26P25028B	Screw fastening support to 1 in. base (3/8 in. -16)
																			N22P25044B	Screw fastening support to 2 in. base (3/8 in. -16)
																			N22P25036B	Screw fastening support to 1 1/2 in. base
																			N22P25040B	Connection screw for blowout coil for 1 in. base (3/8-16)
																			N22P25048B	Connection screw for blowout coil for 1 1/2 in. base (3/8-16)
																				Arc chute side, right-hand
																				Arc chute side, left-hand
																				Screw fastening arc chute sides together (10-32)

Δ This part can no longer be furnished. A conversion kit including this part and other parts of new design can be supplied for modernizing the contactor. For further information on these conversion kits, consult the nearest GE sales office or service shop.

† When ordering movable plate, also replace stationary plate.