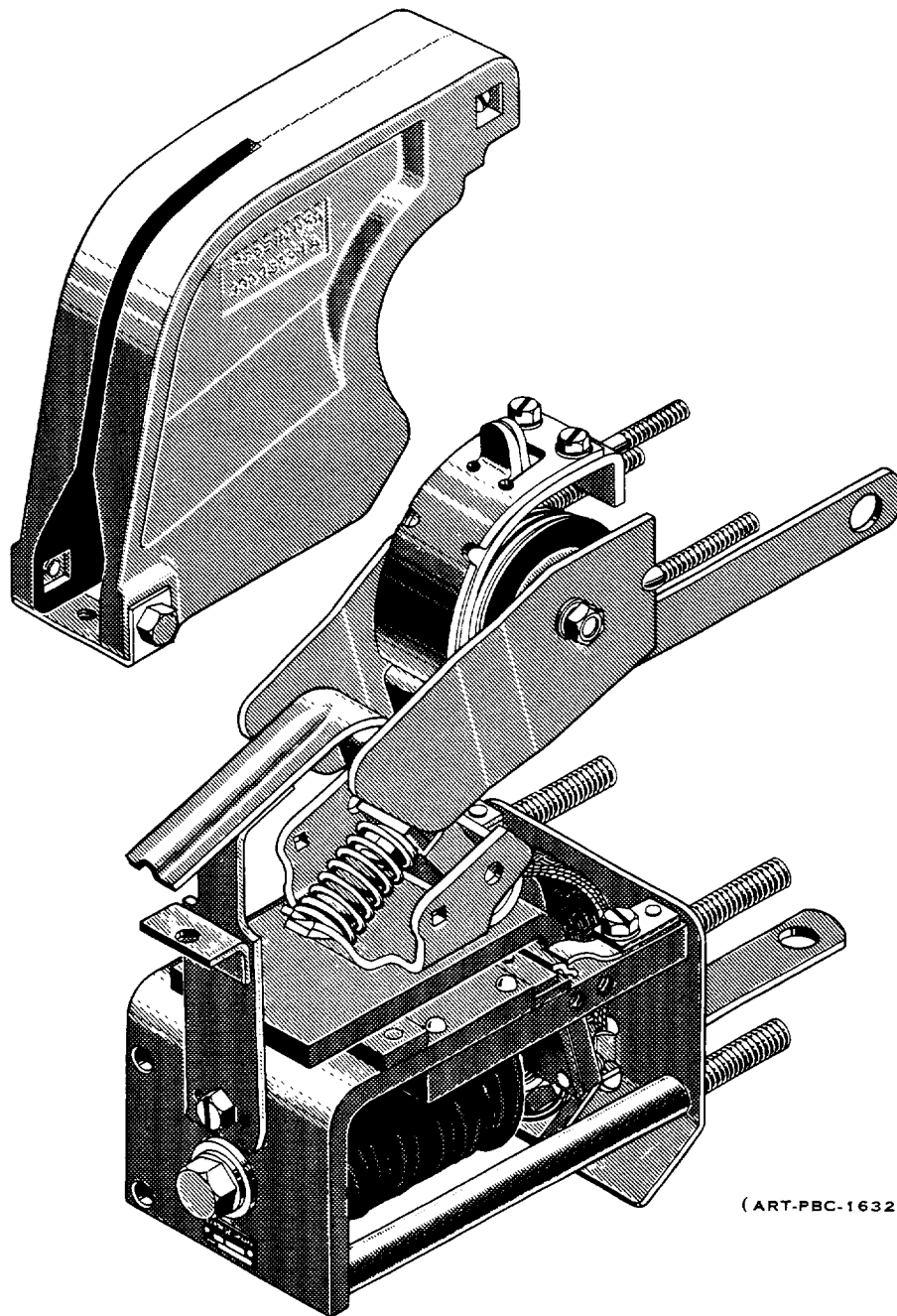


RENEWAL PARTS

IC2800-1174 CONTACTORS

(also CR2800-1174)

Forms AC, AD, AE, AF, AG, AH, AJ, AK, AL, and AM



(ART-PBC-16320)

When ordering renewal parts, give quantity, catalog number, description of each item required, and complete nameplate reading.

GENERAL  ELECTRIC

IC2800-1174 CONTACTORS

PARTS RECOMMENDED FOR NORMAL STOCK

Fig. No.	Ref. No.	Number Required for IC 2800-1174-										Catalog Number	Description
		AC	AD	AE	AF	AG	AH	AJ	AK	AL	AM		
1	1	1 Δ	1 Δ	1 Δ	1 Δ	1 Δ	1 Δ	1 Δ	1 Δ	1 Δ	1 Δ	----- -----	Operating coil (see table below) Set of interlock contacts (See tables on page 2 and 3)
1	25	1	1	1	-	-	-	-	-	-	-	5350495	Movable contact tip
1	25	-	-	-	1	1	-	-	-	-	-	5306170G4	Movable contact tip
1	25	-	-	-	-	-	1	1	1	-	-	9034269	Movable contact tip
1	25	-	-	-	-	-	-	-	-	1	1	9034293G1	Movable contact tip
2	30	1	1	1	-	-	-	-	-	-	-	5300313	Stationary contact tip
2	30	-	-	-	1	1	-	-	-	-	-	5306170G3	Stationary contact tip
2	30	-	-	-	-	-	1	1	1	-	-	8617333	Stationary contact tip
2	30	-	-	-	-	-	-	-	-	1	1	9034293G2	Stationary contact tip
1	26	1	1	1	1	1	-	-	-	-	-	5300830G1	Shunt for movable contact tip
1	26	-	-	-	-	-	1	1	1	1	1	9034270G1	Shunt for movable contact tip
1	28	1	1	1	1	1	1	1	1	1	1	2413600	Compression spring for movable contact tip
2	41	1	1	-	1	-	-	-	-	-	-	177C815G1	Arc chute side, right-hand
2	41	1	1	-	1	-	-	-	-	-	-	9004333P1	Arc chute side, right-hand
2	42	-	-	-	-	-	1	1	-	1	-	177C814G1	Arc chute side, left-hand
2	42	-	-	-	-	-	1	1	-	1	-	9004334P1	Arc chute side, left-hand

Δ If interlock is used, a quantity of one set is required for each interlock

Fig. No. 1, Ref. No. 1 - OPERATING COILS - 1 Required

NOTE:- The last number in the IC designation is the operating coil number.

EXAMPLE:- IC2800-1174-AH-5 requires coil No. 5, Cat. No. 22D75G5.

Coil Number	Catalog Number	Coil Number	Catalog Number	Coil Number	Catalog Number	Coil Number	Catalog Number	Coil Number	Catalog Number
2	22D75G2	8	22D75G16	14	22D75G8	20	22D75G19	26	22D75G13
3	22D75G3	9	22D75G10	15	22D75G24	21	22D75G26	27	22D75G9
4	22D75G4	10	3242020	16	22D75G25	22	22D75G27	28	22D75G29
5	22D75G5	11	22D75G23	17	22D75G6	23	22D75G18	29	22D75G30
6	22D75G7	12	22D75G15	18	22D75G14	24	22D75G11	30	22D75G31
7	22D75G19	13	22D75G17	19	22D75G21	25	22D75G28		

ELECTRICAL INTERLOCKS

NOTE:- The interlock is identified by the letter and number following the coil number in the IC designation.

EXAMPLE:- IC2800-1174-AH-2-B requires interlock B Cat. 723B251B
IC2800-1174-AH-2-X2 requires interlock X2 Cat. 9665139G1

Interlock Suffix	Interlock with Mounting Parts		Interlock Switch Unit	*Set of Interlock Contacts
	Left-hand	Right-hand		
No.	Cat. No.	Cat. No.	Cat. No.	Cat. No.
B	723B251B	-----	142L274G3	6960053G3
C	723B251C	-----	142L274G1	6960053G3
D	723B251D	-----	142L274G2	6960053G3
E	-----	723B251E	142L274G3	6960053G3
F	-----	723B251F	142L274G1	6960053G3
G	-----	723B251G	142L274G2	6960053G3
H	§723B251H		{ †142L274G1 ‡142L274G1	6960053G3 6960053G3
J	§723B251J		{ †142L274G2 ‡142L274G2	6960053G3 6960053G3
K	§723B251K		{ †142L274G3 ‡142L274G3	6960053G3 6960053G3
L	§723B251L		{ †142L274G3 ‡142L274G1	6960053G3 6960053G3
M	§723B251M		{ †142L274G3 ‡142L274G2	6960053G3 6960053G3

* Includes movable and stationary contacts with springs and contact holding screws.

§ Includes one left-hand and one right-hand interlock.

† Interlock unit, left-hand. ‡ Interlock unit, right-hand.

IC2800-1174 CONTACTORS

GEF-3356D

ELECTRICAL INTERLOCKS (Cont'd.)

Interlock Suffix	Left-hand Interlock	Right-hand Interlock	*Set of Interlock Contacts
No.	Cat. No.	Cat. No.	Cat. No.
X2	9665139G1	-----	6960053G5
X3	-----	9665139G4	6960053G5
X5	9665139G1	9665139G4	6960053G5
X6	9665139G3	9665139G4	6960053G5
X10	9665139G5	-----	6960053G6
X10	-----	9665139G2	6960053G5
X13	9665139G5	-----	6960053G6
X13	-----	9665139G4	6960053G5

* Includes movable and stationary contacts with springs

COMPLETE LIST OF PARTS

Fig. No.	Ref. No.	Number Required for IC2800-1174-										Catalog Number	Description
		AC	AD	AE	AF	AG	AH	AJ	AK	AL	AM		
1	2	2	2	2	2	2	2	2	2	2	2	N57P16008B	Connection screw for coil lead (10-32, 1/2 in., pan hd., pro. fin.)
1	3	2	2	2	2	2	2	2	2	2	2	8617031	Washer for connection screw
1	4	1	1	1	1	1	1	1	1	1	1	8617022	Terminal clamp for coil lead
1	5	1	1	1	1	1	1	1	1	1	1	8626009P4	Retaining washer for operating coil
1	6	1	1	1	1	1	1	1	1	1	1	5304780G3	Magnet core for operating coil
1	7	1	1	1	1	1	1	1	1	1	1	70X309	Screw fastening magnet core to magnet frame (9/16 in. -12, 1 in. hex. hd., steel)
1	8	1	1	1	1	1	1	1	1	1	1	5359825	Washer for screw fastening core to frame
1	9	1	1	1	1	1	1	1	1	1	1	8650023G1	Magnet frame for operating coil
1	10	1	1	1	1	1	1	1	1	1	1	5300385	Connection plate for magnet frame
1	11	1	1	1	1	1	1	1	1	1	1	5351618	Bus bar for connection plate
1	12	1	1	1	1	1	1	1	1	1	1	5355945	Terminal for connection plate
1	13	1	1	1	1	1	1	1	1	1	1	N62P29020B	Carriage bolt fastening shunt and bus bar or terminal to connection plate (1/2 in. -13, 1 1/4 in., pro. fin.)
1	14	1	1	1	1	1	1	1	1	1	1	5300887G2	Arcing horn
1	15	1	1	1	1	1	1	1	1	1	1	9034272G1	Arcing horn
1	16	1	1	1	1	1	1	1	1	1	1	N26P23010B	Screw fastening arcing horn to magnet frame (5/16 in. -18, 5/8 in., hex. hd. slotted, pro. fin.)
1	17	1	1	1	1	1	1	1	1	1	1	8067092P3	Stop plate for armature
1	18	2	2	2	2	2	2	2	2	2	2	N144P16010C	Screw with lock washer fastening stop plate to magnet frame
1	19	1	1	1	1	1	1	1	1	1	1	8650024P2	Fulcrum plate, stationary, for armature
1	20	2	2	2	2	2	2	2	2	2	2	N144P21010C	Screw with lock washer fastening stationary fulcrum plate to magnet frame
1	21	2	2	2	2	2	2	2	2	2	2	8690203P2	Fulcrum retainer for movable fulcrum plate
1	22	2	2	2	2	2	2	2	2	2	2	8616461	Clamping strip for fulcrum retainer
1	23	2	2	2	2	2	2	2	2	2	2	N26P21010B	Screw fastening fulcrum retainer and clamping strip to magnet frame (1/4 in. -20, 5/8 in., hex. hd., slotted, pro. fin.)
1	24	2	2	2	2	2	2	2	2	2	2	8616460	Dowel screw for fulcrum retainer and clamping strip

IC2800-1174 CONTACTORS

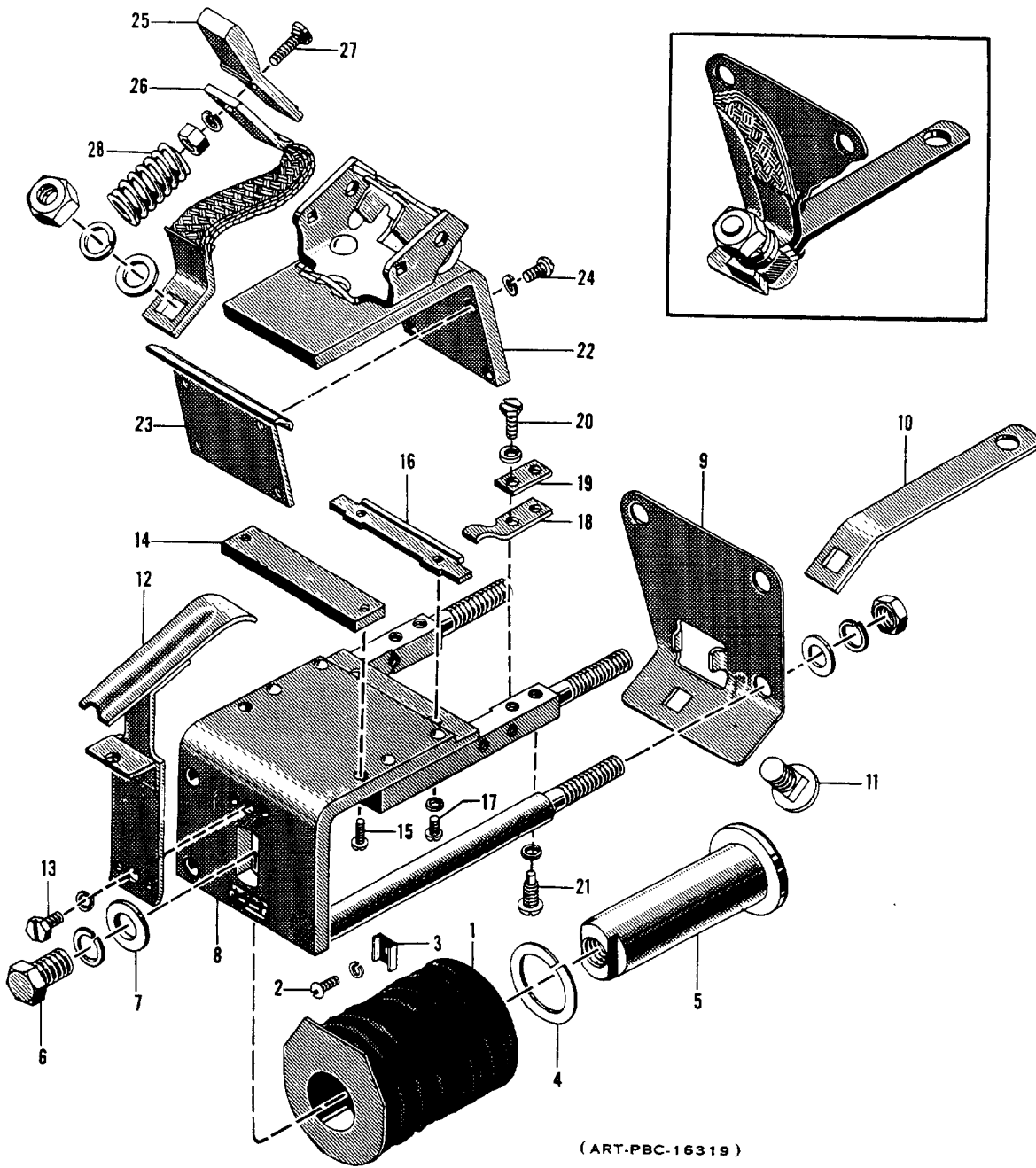


Fig. No. 1

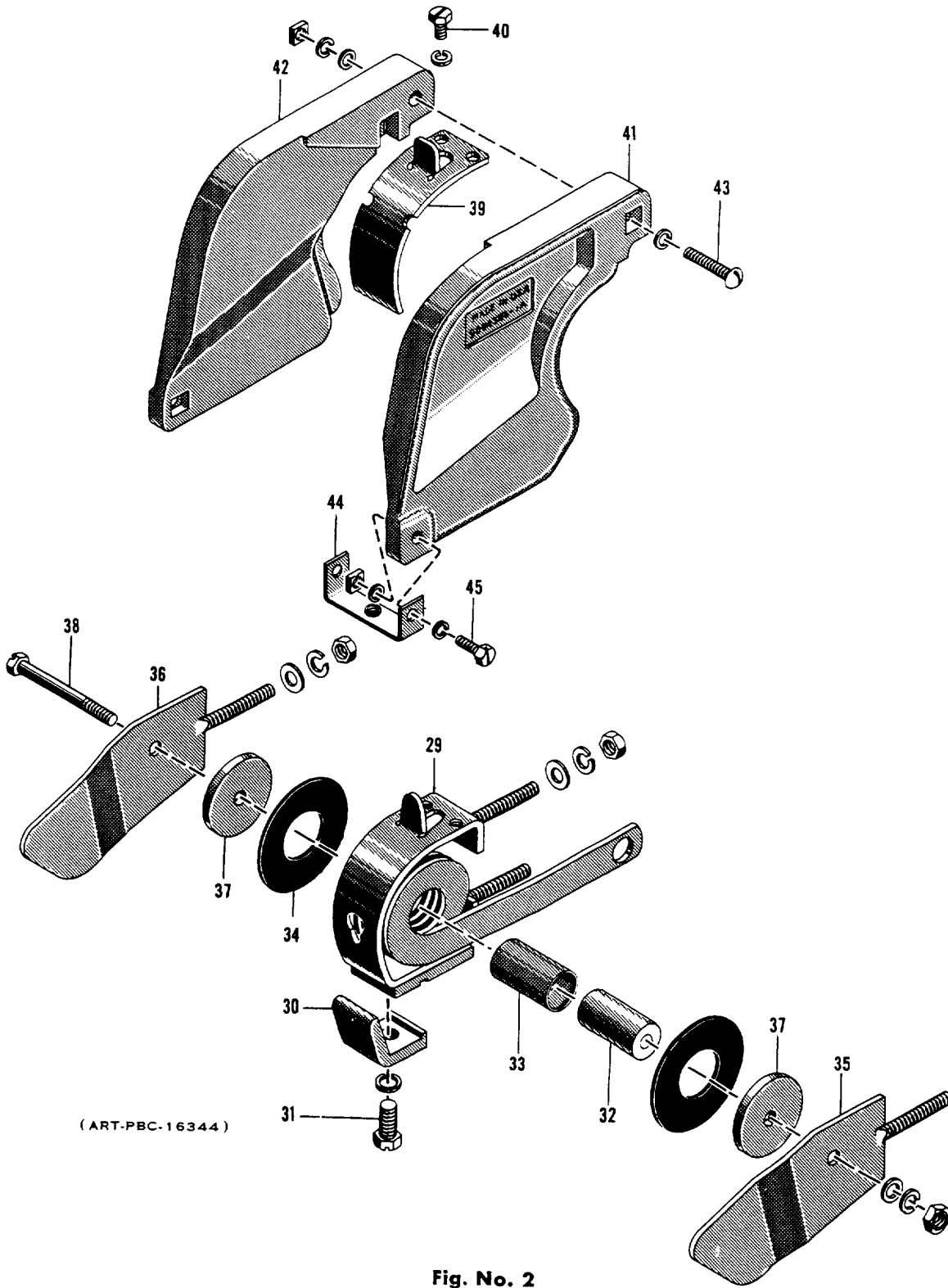
IC2800-1174 CONTACTORS

GEF-3356D

COMPLETE LIST OF PARTS (Cont'd.)

Fig. No.	Ref. No.	Number Required for IC2800-1174-										Catalog Number	Description	
		AC	AD	AE	AF	AG	AH	AJ	AK	AL	AM			
1	22	1	1	1	1	1	1	1	1	1	1	8087245G1	Armature with support for movable contact	
1	23	1	1	1	1	1	1	1	1	1	1	8650025P1	Fulcrum plate, movable, for armature	
1	24	4	4	4	4	4	4	4	4	4	4	N144P21010C	Screw with lock washer fastening movable fulcrum plate to armature	
1	25	1	1	1	-	-	-	-	-	-	-	5350495	Movable contact tip	
		-	-	-	1	1	-	-	-	-	-	-	5306170G4	Movable contact tip
		-	-	-	-	-	1	1	1	-	-	-	9034269	Movable contact tip
		-	-	-	-	-	-	-	-	1	1	-	9034293G1	Movable contact tip
1	26	1	1	1	1	1	-	-	-	-	-	5300830G1	Shunt for movable contact tip	
1	26	-	-	-	-	-	1	1	1	1	1	9034270G1	Shunt for movable contact tip	
1	27	1	1	1	1	1	-	-	-	-	-	N26P23010B	Screw fastening shunt to movable contact tip (5/16 in. -18, 5/8 in., hex. hd. slotted, pro. fin.)	
		-	-	-	-	-	1	1	1	1	1	8617336	Screw fastening shunt to movable contact tip	
		-	-	-	-	-	1	1	1	1	1	8617337	Washer for screw fastening shunt to movable contact tip	
1	28	1	1	1	1	1	1	1	1	1	1	2413600	Compression spring for movable contact tip	
2	29	1	-	-	1	-	-	-	-	-	-	5300814G1	Blowout coil with support for stationary contact	
		-	1	-	-	-	-	-	-	-	-	-	5306812P1	Blowout coil and support for stationary contact
		-	-	-	-	-	1	-	-	1	-	-	8650444G1	Blowout coil and support for stationary contact
		-	-	-	-	-	-	1	-	-	-	-	5306812P2	Blowout coil and support for stationary contact
		-	-	1	-	1	-	-	-	-	-	-	5341043G3	Support for stationary contact
		-	-	-	-	-	-	-	1	-	1	-	5341043G8	Support for stationary contact
2		30	1	1	1	-	-	-	-	-	-	-	5300313	Stationary contact tip
2		30	-	-	-	1	1	-	-	-	-	-	5306170G3	Stationary contact tip
2		30	-	-	-	-	-	1	1	1	-	-	8617333	Stationary contact tip
2		30	-	-	-	-	-	-	-	-	1	1	9034293G2	Stationary contact tip
2		31	1	1	1	1	1	-	-	-	-	-	N26P23014B	Screw fastening stationary contact tip to support (5/16 in. -18, 7/8 in., hex. hd., slotted pro. fin.)
			-	-	-	-	-	1	1	1	1	1	N22P25012B	Screw fastening stationary contact tip to support (5/16 in. -18, 3/4 in., hex. hd., pro. fin.)
		-	1	-	-	-	-	1	-	-	-	1444470	Terminal for blowout coil	
		-	1	-	-	-	-	1	-	-	-	N22P29032B	Screw fastening blowout coil and terminal to base, for 3/4 in. base (1/2 in. -13, 2 in., hex. hd., pro. fin.)	
		-	1	-	-	-	-	1	-	-	-	N22P29040B	Screw fastening blowout coil and terminal to base, for 1 in. base (1/2 in. -13, 2 1/2 in., hex. hd., pro. fin.)	
		-	1	-	-	-	-	1	-	-	-	N22P29048B	Screw fastening blowout coil and terminal to base, for 1 1/2 in. base (1/2 in. -13, 3 in., hex. hd., pro. fin.)	
		-	1	-	-	-	-	1	-	-	-	N22P29056B	Screw fastening blowout coil and terminal to base, for 2 in. base (1/2 in. -13, 3 1/2 in., hex. hd. pro. fin.)	

IC2800-1174 CONTACTORS



IC2800-1174 CONTACTORS

GEF-3356D

COMPLETE LIST OF PARTS (Cont'd.)

Fig. No.	Ref. No.	Number Required for IC2800-1174-										Catalog Number	Description
		AC	AD	AE	AF	AG	AH	AJ	AK	AL	AM		
		-	-	1	-	1	-	-	1	-	1	N22P29028B	Screw fastening stationary contact support to base, for 3/4 in. base (1/2 in. -13, 1 3/4 in., hex. hd., pro. fin.)
		-	-	1	-	1	-	-	1	-	1	N22P29032B	Screw fastening stationary contact support to base, for 1 in. base (1/2 in. -13, 2 in., hex. hd., pro. fin.)
		-	-	1	-	1	-	-	1	-	1	N22P29040B	Screw fastening stationary contact support to base, for 1 1/2 in. base (1/2 in. -13, 2 1/2 in., hex. hd., pro. fin.)
		-	-	1	-	1	-	-	1	-	1	N22P29048B	Screw fastening stationary contact support to base, for 2 in. base (1/2 in. -13, 3 in., hex. hd. pro. fin.)
2	32	1	1	-	1	-	-	-	-	-	-	5350496	Magnet core for blowout coil
2	33	1	1	-	1	-	-	1	1	-	1	8617335	Magnet core for blowout coil
		-	-	-	-	-	-	-	-	-	-	5350498	Insulation sleeve for magnet core
2	34	2	1	-	2	-	-	1	1	-	1	9023364	Insulation sleeve for magnet core
		-	-	-	-	-	-	-	-	-	-	5350493	Insulation washer for blowout coil
		-	1	-	-	-	-	2	1	-	2	284A955	Insulation washer for blowout coil
		-	-	-	-	-	-	-	-	-	-	5356755	Insulation washer for blowout coil, right-hand
		-	-	-	-	-	-	-	1	-	-	9023369	Insulation washer for blowout coil, right-hand
		2	1	-	2	-	-	-	-	-	-	5300826G1	Pole piece, outer, with spacer for blowout coil
		-	1	-	-	-	-	-	-	-	-	5356754	Pole piece, outer, with spacer for blowout coil, right-hand
		2	2	-	2	-	-	-	-	-	-	5192842P2	Pole piece, inner, for blowout coil
2	35	-	-	-	-	-	1	1	-	1	-	9034271G3	Pole piece for blowout coil, left-hand, for 1 in., 1 1/2 in. or 2 in. base
2	36	-	-	-	-	-	1	-	-	1	-	9034271G4	Pole piece for blowout coil, right-hand, for 1 in., 1 1/2 in. or 2 in. base
		-	-	-	-	-	-	1	-	-	-	9092290	Pole piece for blowout coil, right-hand, for 1 in., 1 1/2 in. or 2 in. base
2	37	-	-	-	-	-	2	2	-	2	-	8617334	Spacer for pole piece
2	38	1	1	-	1	-	1	1	-	1	-	N26P23048B	Screw fastening pole pieces together (5/16 in. -18, 3 in., hex. hd. slotted, pro. fin.)
		4	4	-	4	-	-	-	-	-	-	N26P21008B	Screw fastening inner pole piece to arc chute (1/4 in. -20, 1/2 in., hex. hd. slotted, pro. fin.)
2	39	-	-	-	-	-	1	1	-	1	-	8650326G2	Burning strip for blowout coil
2	40	-	-	-	-	-	2	2	-	2	-	N26P21010B	Screw fastening burning strip to blowout coil (1/4 in. -20, 5/8 in., hex. hd. slotted, pro. fin.)
		AC	AD	AE	AF	AG	AH	AJ	AK	AL	AM		

IC2800-1174 CONTACTORS

COMPLETE LIST OF PARTS (Cont'd.)

Fig. No.	Ref. No.	Number Required for IC2800-1174-										Catalog Number	Description
		AC	AD	AE	AF	AG	AH	AJ	AK	AL	AM		
		1	1	-	1	-	-	-	-	-	-	4900781G6	Arc chute, complete, with pole pieces, screws, nuts, and washers
		-	-	-	-	-	1	1	-	1	-	6960043G88	Arc chute, complete, with clamp, screws, nuts, and washers
2	41	1	1	-	1	-	-	-	-	-	-	177C815G1	Arc chute side, right-hand
		-	-	-	-	-	1	1	-	1	-	9004333P1	Arc chute side, right-hand
2	42	1	1	-	1	-	-	-	-	-	-	177C814G1	Arc chute side, left-hand
		-	-	-	-	-	1	1	-	1	-	9004334P1	Arc chute side, left-hand
2	43	1	1	-	1	-	1	1	-	1	-	N57P21028B	Screw fastening arc chute sides together (1/4 in. -20, 1 3/4 in., pan. hd., pro. fin.)
2	44	-	-	-	-	-	1	1	-	1	-	8650445P4	Clamp for arc chute sides
2	45	-	-	-	-	-	2	2	-	2	-	N144P21012C	Screw with lock washer fastening clamp to arc chute side
		1	-	-	1	-	1	1	-	1	-	5352171	Spacer for blowout coil studs and bus bar
		-	-	1	-	1	-	-	-	-	-	5359191	Spacer for stationary contact support screw and bus bar

INDEX OF CATALOG NUMBERS

Catalog identifications in this index are arranged in order, reading from left to right, first alphabetically according to the prefix letter or letters, if used, and second numerically.

In this index all numbers with a letter prefix will precede those without prefixes.

The number of letters or digits does not affect placement in the table, thus A1999999 will precede A2, and ZZ9999999 will precede Cat. No. 1 (number without a prefix). Letters take precedence over numbers so that Cat. No. 26F1 will precede Cat. No. 261.

Catalog Number	Page	Catalog Number	Page	Catalog Number	Page	Catalog Number	Page	Catalog Number	Page
N144P16010C	--- 3	142L274G2	--- 2	22D75G7	----- 2	5356754	----- 7	8617335	----- 7
N144P21010C	-- 3, 5	142L274G3	--- 2	22D75G8	----- 2	5356755	----- 7	8617336	----- 5
N144P21012C	--- 8	1444470	----- 5	22D75G9	----- 2	5359191	----- 8	8617337	----- 5
N203P23B	----- 8	177C814G1	-- 2, 8	2413600	---- 2, 5	5359825	----- 3	8626009P4	---- 3
N218P21B	----- 8	177C815G1	-- 2, 8	284A955	----- 7	6960043G88	--- 8	8650023G1	---- 3
N22P25012B	---- 5	22D75G10	---- 2	3242020	----- 2	6960053G3	---- 2	8650024P2	---- 3
N22P29028B	---- 7	22D75G11	---- 2	4900781G6	--- 8	6960053G5	---- 3	8650025P1	---- 5
N22P29032B	--- 5, 7	22D75G13	---- 2	5192842P2	--- 7	6960053G6	---- 3	8650326G2	---- 7
N22P29040B	--- 5, 7	22D75G14	---- 2	5300313	---- 2, 5	70X309	----- 3	8650444G1	---- 5
N22P29048B	--- 5, 7	22D75G15	---- 2	5300385	----- 3	723B251B	----- 2	8650445P4	---- 8
N22P29056B	---- 5	22D75G16	---- 2	5300814G1	--- 5	723B251C	----- 2	8690203P2	---- 3
N26P21008B	---- 7	22D75G17	---- 2	5300826G1	--- 7	723B251D	----- 2	9004333P1	--- 2, 8
N26P21010B	--- 3, 7	22D75G18	---- 2	5300830G1	-- 2, 5	723B251E	----- 2	9004334P1	--- 2, 8
N26P23010B	--- 3, 5	22D75G19	---- 2	5300887G2	--- 3	723B251F	----- 2	9023364	----- 7
N26P23014B	---- 5	22D75G2	---- 2	5304780G3	--- 3	723B251G	----- 2	9023369	----- 7
N26P23048B	---- 7	22D75G21	---- 2	5306170G3	-- 2, 5	723B251H	----- 2	9034269	----- 2, 5
N402P11B	----- 8	22D75G23	---- 2	5306170G4	-- 2, 5	723B251J	----- 2	9034270G1	--- 2, 5
N402P12B	----- 8	22D75G24	---- 2	5306812P1	--- 5	723B251K	----- 2	9034271G3	---- 7
N402P15B	----- 8	22D75G25	---- 2	5306812P2	--- 5	723B251L	----- 2	9034271G4	---- 7
N402P9B	----- 8	22D75G26	---- 2	5341043G3	--- 5	723B251M	----- 2	9034272G1	---- 3
N405P15C3	---- 8	22D75G27	---- 2	5341043G8	--- 5	8067092P3	---- 3	9034293G1	--- 2, 5
N405P39C3	---- 8	22D75G28	---- 2	5350493	----- 7	8087245G1	---- 5	9034293G2	--- 2, 5
N405P41C3	---- 8	22D75G29	---- 2	5350495	---- 2, 5	8616460	----- 3	9092290	----- 7
N405P42C3	---- 8	22D75G3	---- 2	5350496	----- 7	8616461	----- 3	9665139G1	--- 2, 3
N57P16008B	---- 3	22D75G30	---- 2	5350498	----- 7	8617022	----- 3	9665139G2	---- 3
N57P21028B	---- 8	22D75G31	---- 2	5351618	----- 3	8617031	----- 3	9665139G3	---- 3
N62P29020B	---- 3	22D75G4	---- 2	5352171	----- 8	8617333	---- 2, 5	9665139G4	---- 3
12X16	----- 8	22D75G5	---- 2	5355945	----- 3	8617334	----- 7	9665139G5	---- 3
142L274G1	---- 2	22D75G6	---- 2						

INDUSTRY CONTROL DEPARTMENT, GENERAL ELECTRIC COMPANY, SALEM, VA.