

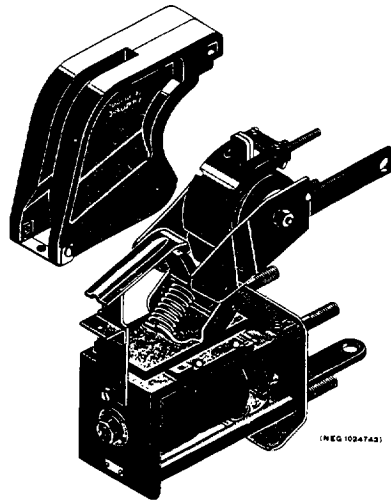
# RENEWAL PARTS

GEF-3358G  
Supersedes GEF-3358F

## IC2800-1176 AND IC2800-1177 CONTACTORS (also CR2800-1176 and CR2800-1177)

IC2800-1176-AH, -AJ, -AK, -AL, -AM, -AN, -AP,  
-AQ, -AR, -AS, -AT, -AU, -AV, and -AW  
IC2800-1177-A, -B, and -E

NOTE:—When ordering parts for a form of the contactor not covered by this bulletin, give reference number, description of part, complete nameplate reading, and above bulletin (GEF) number. Do not use catalog number when form for which the parts are needed is not covered by the bulletin.



### PARTS RECOMMENDED FOR NORMAL STOCK

Fig. No.	Ref. No.	Number Required for IC2800-																Catalog Number	Description	
		1176-														1177-				
		AH	AJ	AK	AL	AM	AN	AP	AQ	AR	AS	AT	AU	AV	AW	A	B			
1	1	1	1	1	1	1	1	1	1	1	1	1	1	1	1	1	1	1	-----	Operating coil (see table below)
		Δ	Δ	Δ	Δ	Δ	Δ	Δ	Δ	Δ	Δ	Δ	Δ	Δ	Δ	Δ	Δ	Δ	-----	Set of interlock contacts (see table below)
1	25	1	1	-	-	-	-	1	-	-	-	-	-	-	-	-	-	-	5352168	Movable contact
1	25	-	-	1	1	1	1	-	-	-	-	-	-	-	-	-	-	-	5346578G2	Movable contact
1	25	-	-	-	-	-	-	-	1	1	-	-	-	-	1	1	-	-	8690980	Movable contact
1	25	-	-	-	-	-	-	-	-	-	1	1	1	1	-	-	-	-	9034003G1	Movable contact
1	31	1	1	-	-	-	-	1	-	-	-	-	-	-	-	-	-	-	5352177	Stationary contact
1	31	-	-	1	1	1	1	-	-	-	-	-	-	-	-	-	-	-	5346578G1	Stationary contact
1	31	-	-	-	-	-	-	-	1	1	-	-	-	-	-	1	1	-	8617100	Stationary contact
1	31	-	-	-	-	-	-	-	-	1	1	1	1	-	-	-	-	-	9034003G2	Stationary contact
2	29	1	1	1	1	1	1	1	1	1	1	1	1	1	1	1	1	1	2414864	Compression spring for movable contact
		-	-	-	-	-	-	-	-	-	-	-	-	-	-	-	1	-	174A7716	Compression spring for movable contact for form "E" only
1	26	1	1	1	1	1	1	-	-	-	-	-	-	-	-	-	-	-	5302356G1	Shunt for movable contact
1	26	-	-	-	-	-	-	-	1	1	1	1	1	1	-	-	-	-	8690992G1	Shunt for movable contact
1	26	-	-	-	-	-	-	-	-	-	-	-	-	-	-	1	1	-	9034639G1	Shunt for movable contact
2	42	1	-	1	-	1	-	1	-	-	-	-	-	-	-	-	-	-	4927033	Arc chute side, right-hand
2	42	-	-	-	-	-	-	-	1	-	1	-	1	-	-	1	1	1	9004331P1	Arc chute side, right-hand
2	43	1	-	1	-	1	-	1	-	-	-	-	-	-	-	-	-	-	4927032	Arc chute side, left-hand
2	43	-	-	-	-	-	-	-	1	-	1	-	1	-	1	1	1	1	9004332P1	Arc chute side, left-hand

Δ If interlock is used, a quantity of one set is required for each interlock switch unit.

When ordering renewal parts, give quantity, catalog number, description of each item required, and complete nameplate reading.

GENERAL  ELECTRIC

## IC2800-1176 AND -1177 CONTACTORS

Fig. No. 1, Ref. No. 1 - OPERATING COILS - 1 Required

NOTE: - The operating coil is identified by the number following the form letter in the IC designation.

EXAMPLE: - IC2800-1176-AH-2-B requires operating coil number 2, Cat. No. 22D136G2.

Coil Number	Catalog Number	Coil Number	Catalog Number	Coil Number	Catalog Number	Coil Number	Catalog Number
2	22D136G2	9	22D136G9	16	22D136G15	23	22D136G3
3	22D136G3	10	22D136G10	17	22D136G16	24	22D136G12
4	22D136G4	11	22D136G12	18	22D136G17	25	22D136G23
5	22D136G5	12	22D136G13	19	22D136G2	26	22D136G24
6	22D136G6	13	22D136G11	20	22D136G18	27	22D136G27
7	22D136G7	14	22D76G9	21	22D136G19		
8	22D136G8	15	22D136G14	22	22D136G2		

### ELECTRICAL INTERLOCKS

NOTE: - The interlock is identified by the letter or letter and number following the coil number in the IC designation.

EXAMPLE: - IC2800-1176-AH-2-B requires interlock letter B, Cat. No. IC2956C.

IC2800-1176-AH-2-X2 requires interlock letter and number X2, Cat. No. 9665143G1.

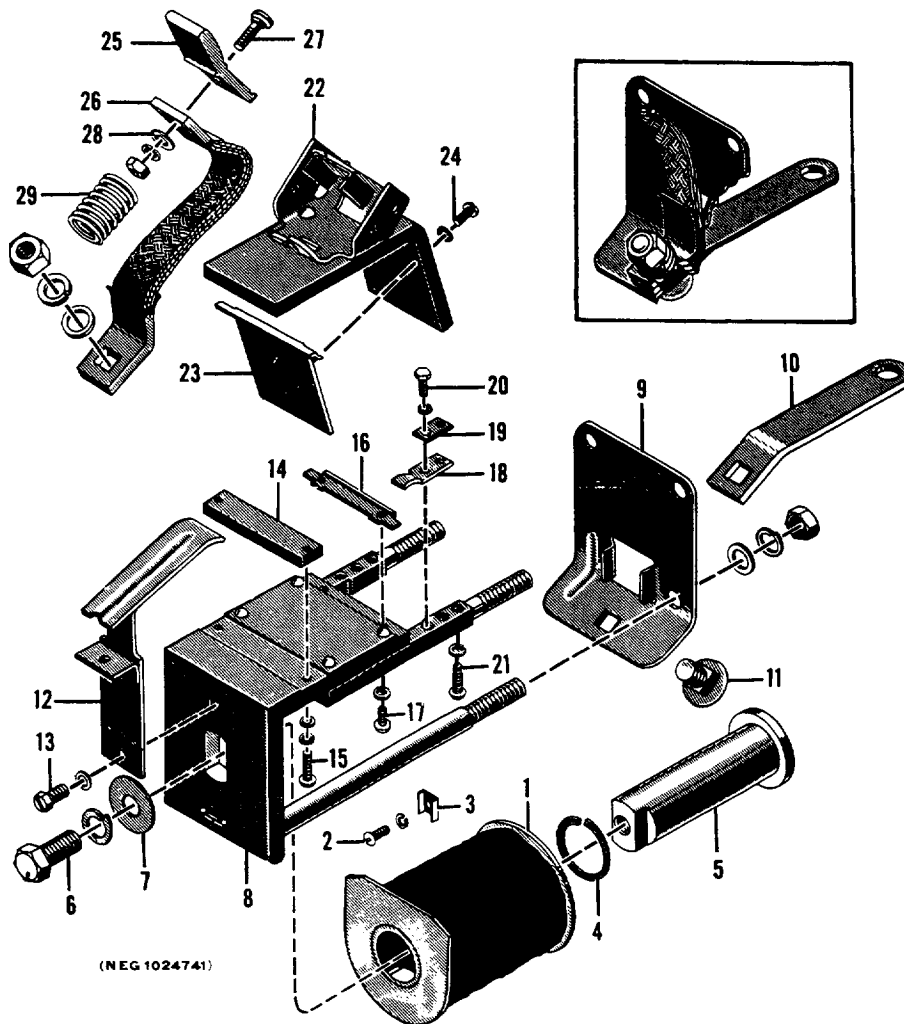
Interlock Letter	Interlock Switch Unit		Set of Interlock Contacts Cat. No.	Interlock Mounting Kit Cat. No.
	Right-hand Cat. No.	Left-hand Cat. No.		
B	-----	IC2956A200C	6960053G3	IC2956A203F
C	-----	IC2956A200A	6960053G3	IC2956A203F
D	-----	IC2956A200B	6960053G3	IC2956A203F
E	IC2956A200C	-----	6960053G3	IC2956A203F
F	IC2956A200A	-----	6960053G3	IC2956A203F
G	IC2956A200B	-----	6960053G3	IC2956A203F
H	IC2956A200A	IC2956A200A	6960053G3	IC2956A203F
J	IC2956A200B	IC2956A200B	6960053G3	IC2956A203F
K	IC2956A200C	IC2956A200C	6960053G3	IC2956A203F
L	IC2956A200A	IC2956A200C	6960053G3	IC2956A203F
M	IC2956A200B	IC2956A200C	6960053G3	IC2956A203F
S	IC2956A200C	IC2956A200A	6960053G3	IC2956A203F
AB	-----	IC2956A200AC	6960053G39	IC2956A203F
AC	-----	IC2956A200AA	6960053G39	IC2956A203F
AD	-----	IC2956A200AB	6960053G39	IC2956A203F
AE	IC2956A200AC	-----	6960053G39	IC2956A203F
AF	IC2956A200AA	-----	6960053G39	IC2956A203F
AG	IC2956A200AB	-----	6960053G39	IC2956A203F
AH	IC2956A200AA	IC2956A200AA	6960053G39	IC2956A203F
AJ	IC2956A200AB	IC2956A200AB	6960053G39	IC2956A203F
AK	IC2956A200AC	IC2956A200AC	6960053G39	IC2956A203F
AL	IC2956A200AA	IC2956A200AC	6960053G39	IC2956A203F
AM	IC2956A200AB	IC2956A200AC	6960053G39	IC2956A203F
AN	IC2956A200AC	IC2956A200AA	6960053G39	IC2956A203F
BB	IC2956A200AA	-----	6960053G39	IC2956A203F
	-----	IC2956A200A	6960053G3	IC2956A203F
BC	IC2956A200AC	-----	6960053G39	IC2956A203F
	-----	IC2956A200A	6960053G3	IC2956A203F
BD	IC2956A200AB	-----	6960053G39	IC2956A203F
	-----	IC2956A200A	6960053G3	IC2956A203F
BE	IC2956A200AA	-----	6960053G39	IC2956A203F
	-----	IC2956A200C	6960053G3	IC2956A203F
BF	IC2956A200AC	-----	6960053G39	IC2956A203F
	-----	IC2956A200C	6960053G3	IC2956A203F
BG	IC2956A200AB	-----	6960053G39	IC2956A203F
	-----	IC2956A200C	6960053G3	IC2956A203F
BH	IC2956A200AA	-----	6960053G39	IC2956A203F
	-----	IC2956A200B	6960053G3	IC2956A203F
BJ	IC2956A200AC	-----	6960053G39	IC2956A203F
	-----	IC2956A200B	6960053G3	IC2956A203F
BK	IC2956A200AB	-----	6960053G39	IC2956A203F
	-----	IC2956A200B	6960053G3	IC2956A203F

# IC2800-1176 AND -1177 CONTACTORS

GEF-3358G

Interlock Letter	Interlock Switch Unit		§Set of Interlock Contacts Cat. No.	Interlock Mounting Kit Cat. No.
	Right-hand Cat. No.	Left-hand Cat. No.		
CB	-----	IC2956A205C	6960053G3	IC2956A203F
CC	-----	IC2956A205A	6960053G3	IC2956A203F
CD	-----	IC2956A205B	6960053G3	IC2956A203F
CE	IC2956A205C	-----	6960053G3	IC2956A203F
CF	IC2956A205A	-----	6960053G3	IC2956A203F
CG	IC2956A205B	-----	6960053G3	IC2956A203F
CH	IC2956A205A	IC2956A205A	6960053G3	IC2956A203F
CJ	IC2956A205B	IC2956A205B	6960053G3	IC2956A203F
CK	IC2956A205C	IC2956A205C	6960053G3	IC2956A203F
CL	IC2956A205A	IC2956A205C	6960053G3	IC2956A203F
CM	IC2956A205B	IC2956A205C	6960053G3	IC2956A203F
DB	IC2956A205A	IC2956A200A	6960053G3	IC2956A203F
DC	IC2956A205C	IC2956A200A	6960053G3	IC2956A203F
DD	IC2956A205B	IC2956A200A	6960053G3	IC2956A203F
DE	IC2956A205B	IC2956A200A	6960053G3	IC2956A203F
DF	IC2956A205C	IC2956A200C	6960053G3	IC2956A203F
DG	IC2956A205B	IC2956A200C	6960053G3	IC2956A203F
DH	IC2956A205A	IC2956A200B	6960053G3	IC2956A203F
DJ	IC2956A205C	IC2956A200B	6960053G3	IC2956A203F
DK	IC2956A205B	IC2956A200B	6960053G3	IC2956A203F

§ Includes movable and stationary contacts with springs and contact-holding screws.

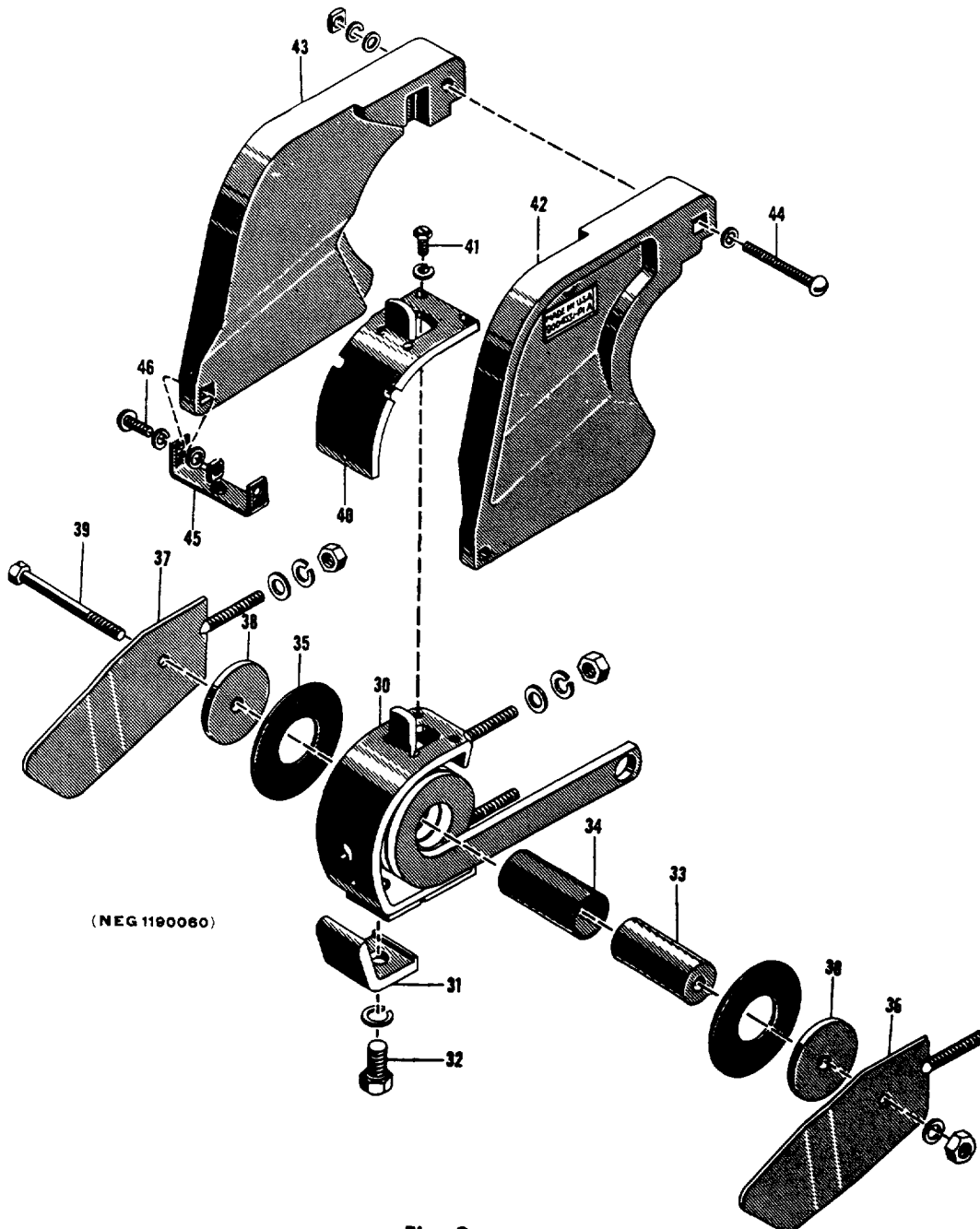


**Fig. 1**

**IC2800-1176 AND -1177 CONTACTORS**

Interlock Number	Interlock Switch Unit		§Set of Interlock Contacts Cat. No.	Interlock Number	Interlock Switch Unit		§Set of Interlock Contacts Cat. No.
	Right-hand	Left-hand			Right-hand	Left-hand	
	Cat. No.	Cat. No.			Cat. No.	Cat. No.	
X2	-----	9665143G1	6960053G5	X10	9665143G2	9665143G5	¶6960053G5
X3	9665143G4	-----	6960053G5				††6960053G6
X5	9665143G4	9665143G1	6960053G5				¶6960053G6
X6	9665143G4	9665143G1	6960053G5				††6960053G5
				X11	9665143G8	9665143G1	¶6960053G5
				X13	9665143G4	9665143G5	¶6960053G5 ††6960053G6

¶ For right-hand interlock unit.  
 †† For left-hand interlock unit.



**Fig. 2**

IC2800-1176 AND -1177 CONTACTORS

GEF-3358G

COMPLETE LIST OF PARTS

Fig. No.	Ref. No.	Number Required for IC2800-															Catalog Number	Description	
		1176-														1177-			
		AH	AJ	AK	AL	AM	AN	AP	AQ	AR	AS	AT	AU	AV	AW	A			B
1	2	2	2	2	2	2	2	2	2	2	2	2	2	2	2	-	-	N57P16008B	Connection screw for coil lead (10-32, 1/2 in. pan. hd., pro. fin.)
1	3	2	2	2	2	2	2	2	2	2	2	2	2	2	2	-	-	8617031	Washer for connection screw
1	4	1	1	1	1	1	1	1	1	1	1	1	1	1	1	1	1	8617022	Terminal clamp for coil lead
1	5	1	1	1	1	1	1	1	1	1	1	1	1	1	1	1	1	8626009P10	Retaining washer for operating coil
1	6	1	1	1	1	1	1	1	1	1	1	1	1	1	1	1	1	5304780G4	Magnet core for operating coil
1	7	1	1	1	1	1	1	1	1	1	1	1	1	1	1	1	1	N22P35024B	Screw fastening magnet core to magnet frame (3/4 in. -10, 1 1/2 in. hex. hd. pro. fin.)
1	8	1	1	1	1	1	1	1	1	1	1	1	1	1	1	1	1	N402P48B	Washer for screw fastening magnet core
1	9	1	1	1	1	1	1	1	1	1	1	1	1	1	1	1	1	8650022G1	Magnet frame for operating coil
1	10	-	-	-	-	-	-	-	-	-	-	-	-	-	-	-	-	5302364P1	Connection plate for magnet frame for all forms except "E"
1	10	1	1	-	-	1	1	-	1	1	-	-	1	1	-	-	-	5302364P2	Connection plate for magnet frame for form "E" only
1	11	-	-	1	-	-	-	1	-	-	1	-	-	-	-	-	-	5352162	Bus bar for connection plate
1	11	1	1	1	1	1	1	1	1	1	1	1	1	1	1	1	1	8617102	Bus bar for connection plate
1	12	1	-	1	-	1	-	1	-	-	-	-	-	-	-	-	-	5355946	Terminal for connection plate
1	12	-	-	-	-	-	-	-	-	-	-	-	-	-	-	-	-	6952554	Terminal for connection plate
1	12	1	-	1	-	1	-	1	-	-	-	-	-	-	-	-	-	N62P33024B	Carriage bolt fastening shunt and bus bar or terminal to connection plate
1	13	1	-	1	-	1	-	1	-	-	-	-	-	-	-	-	-	5300887G1	Arcing horn
1	13	1	-	1	-	1	-	1	-	-	-	-	-	-	-	-	-	8690978G1	Arcing horn
1	14	-	-	-	-	-	-	-	-	-	-	-	-	-	-	-	-	N26P25010B	Screw fastening arcing horn to magnet frame (3/8 in. -16, 5/8 in. hex. hd. slot, pro. fin.)
1	14	1	1	1	1	1	1	1	1	1	1	1	1	1	1	1	1	N22P25012B	Screw fastening arcing horn to magnet frame (3/8 in. -16, 3/4 in. hex. hd., pro. fin.)
1	15	2	2	2	2	2	2	2	-	-	-	-	-	-	-	-	-	8067092P4	Stop plate for armature
1	15	-	-	-	-	-	-	-	2	2	2	2	2	2	2	2	2	N57P16014B	Screw fastening stop plate to magnet frame (10-32, 7/8 in. pan. hd., pro. fin.)
1	16	1	1	1	1	1	1	1	1	1	1	1	1	1	1	1	1	N144P16014C	Screw with lock washer fastening stop plate to magnet frame
1	17	2	2	2	2	2	2	2	-	-	-	-	-	-	-	-	-	8650024P1	Fulcrum plate, stationary, for armature
1	17	-	-	-	-	-	-	-	2	2	2	2	2	2	2	2	2	N57P21012B	Screw fastening stationary fulcrum plate to magnet frame (1/4 in. -20, 3/4 in. pan. hd., pro. fin.)
1	18	2	2	2	2	2	2	2	2	2	2	2	2	2	2	2	2	N144P21012B	Screw with lock washer fastening stationary fulcrum plate to magnet frame
1	19	2	2	2	2	2	2	2	2	2	2	2	2	2	2	2	2	8690203P1	Fulcrum retainer for movable fulcrum plate
1	20	2	2	2	2	2	2	2	2	2	2	2	2	2	2	2	2	8616461	Clamping strip for fulcrum retainer
1	21	2	2	2	2	2	2	2	2	2	2	2	2	2	2	2	2	N26P21010B	Screw fastening fulcrum retainer and clamping strip to magnet frame (1/4 in. -20, 5/8 in. hex. hd. slot, pro. fin.)
1	22	1	1	1	1	1	1	1	1	1	1	1	1	1	1	1	1	8616460	Dowel screw for fulcrum retainer and clamping strip
1	22	1	1	1	1	1	1	1	1	1	1	1	1	1	1	1	1	8087245G2	Armature with support for movable contact for all forms except "E"

IC2800-1176 AND -1177 CONTACTORS

COMPLETE LIST OF PARTS (CONT'D)

Fig. No.	Ref. No.	Number Required for IC2800-															Catalog Number	Description
		1176-														1177-		
		AH	AJ	AK	AL	AM	AN	AP	AQ	AR	AS	AT	AU	AV	AW	A		
1	22	-	-	-	-	-	-	-	-	-	-	-	-	-	-	1	139B8070G1	Armature with support for movable contact for form "E" only
1	23	1	1	1	1	1	1	1	1	1	1	1	1	1	1	1	8650025P2	Fulcrum plate, movable, for armature
1	24	4	4	4	4	4	4	4	4	4	4	4	4	4	4	4	N170P21012C	Screw fastening movable fulcrum plate to armature (1/4 in. -20, 3/4 in. hex. socket hd. alloy, pro. fin.)
1	25	1	1	-	-	-	-	1	-	-	-	-	-	-	-	-	5352168	Movable contact
1	25	-	-	1	1	1	1	-	-	-	-	-	-	-	-	-	5346578G2	Movable contact
1	25	-	-	-	-	-	-	-	1	1	-	-	-	-	1	1	8690980	Movable contact
1	25	-	-	-	-	-	-	-	-	-	1	1	1	1	-	-	9034003G1	Movable contact
1	26	1	1	1	1	1	1	1	-	-	-	-	-	-	-	-	5302356G1	Shunt for movable contact
1	26	-	-	-	-	-	-	-	1	1	1	1	1	1	1	-	8690992G1	Shunt for movable contact
1	26	-	-	-	-	-	-	-	-	-	-	-	-	-	-	1	9034639G1	Shunt for movable contact
1	27	1	1	1	1	1	1	1	-	-	-	-	-	-	-	-	N22P25010B	Screw fastening shunt to movable contact (3/8 in. -16, 5/8 in. hex. hd., pro. fin.)
1	27	-	-	-	-	-	-	-	1	1	1	1	1	1	1	1	8617099	Screw fastening shunt to movable contact
1	28	-	-	-	-	-	-	-	1	1	1	1	1	1	1	1	8617095	Washer for screw fastening shunt to movable contact
1	29	1	1	1	1	1	1	1	1	1	1	1	1	1	1	1	2414864	Compression spring for movable contact for all forms except "E"
		-	-	-	-	-	-	-	-	-	-	-	-	-	-	1	174A7716	Compression spring for movable contact for form "E" only
2	30	1	-	-	-	1	-	-	-	-	-	-	-	-	-	-	5302359G1	Blowout coil with support for stationary contact
2	30	-	-	1	-	-	-	1	-	-	-	-	-	-	-	-	5306813P1	Blowout coil with support for stationary contact
2	30	-	-	-	-	-	-	-	1	-	-	1	-	-	-	-	8650328G1	Blowout coil with support for stationary contact
2	30	-	-	-	-	-	-	-	-	-	1	-	-	1	-	-	5306813P2	Blowout coil with support for stationary contact
2	30	-	-	-	-	-	-	-	-	-	-	-	-	-	1	1	8650563G1	Blowout coil with support for stationary contact
		-	1	-	-	-	1	-	-	-	-	-	-	-	-	-	5341043G4	Support for stationary contact, with bus bar
		-	-	-	1	-	-	-	-	-	-	-	-	-	-	-	6952553	Support for stationary contact
		-	-	-	-	-	-	-	-	1	-	-	-	1	-	-	5341043G7	Support for stationary contact, with bus bar
		1	1	-	-	-	-	-	-	-	1	-	-	-	-	-	8617134	Support for stationary contact
		-	-	-	-	-	-	-	-	-	-	-	-	-	-	-	5352177	Stationary contact
2	31	-	-	1	1	1	1	-	-	-	-	-	-	-	-	-	5346578G1	Stationary contact
2	31	-	-	-	-	-	-	-	1	1	-	-	-	-	1	1	8617100	Stationary contact
2	32	1	1	1	1	1	1	1	-	-	-	-	-	-	-	-	9034003G2	Stationary contact
		-	-	-	-	-	-	-	-	-	-	-	-	-	-	-	N22P25020B	Screw fastening stationary contact to support (3/8 in. -16, 1 1/4 in. hex. hd., pro. fin.)
2	32	-	-	-	-	-	-	-	1	1	1	1	1	1	1	1	N22P29016B	Screw fastening stationary contact to support (1/2 in. -13, 1 in. hex. hd., pro. fin.)
		-	-	1	-	-	-	1	-	-	1	-	-	1	-	-	1444478	Terminal for blowout coil
		-	-	-	1	-	-	-	-	-	-	1	-	-	-	-	177019	Terminal for connection block
		-	-	1	-	-	-	1	-	-	1	-	-	1	-	-	N22P33048B	Screw fastening blowout coil and terminal to base, for 1 in. or 1 1/2 in. base (5/8 in. -11, 3 in. hex. hd., pro. fin.)

# IC2800-1176 AND -1177 CONTACTORS

GEF-3358G

## COMPLETE LIST OF PARTS (CONT'D)

Fig. No.	Ref. No.	Number Required for IC2800-															Catalog Number	Description	
		1176-														1177-			
		AH	AJ	AK	AL	AM	AN	AP	AQ	AR	AS	AT	AU	AV	AW	A			B
2	32	-	-	1	-	-	-	1	-	-	1	-	-	-	1	-	-	N22P33056B	Screw fastening blowout coil and terminal to base, for 2 in. base (5/8 in. -11, 3 1/2 in. hex. hd., pro. fin.)
		-	-	-	1	-	-	-	-	-	-	1	-	-	-	-	-	N22P29018B	Screw fastening terminal to connection block (1/2 in. -13, 1 1/8 in. hex. hd., pro. fin.)
		-	1	-	1	-	1	-	-	1	-	1	-	1	-	-	-	N22P29040B	Screw fastening connection block to base, for 1 in. or 1 1/2 in. base (1/2 in. -13, 2 1/2 in. hex. hd., pro. fin.)
		-	1	-	1	-	1	-	-	1	-	1	-	1	-	-	-	N22P29048B	Screw fastening connection block to base, for 2 in. base (1/2 in. -13, 3 in. hex. hd., pro. fin.)
2	33	1	-	1	-	1	-	1	-	-	-	-	-	-	-	-	5351622	Magnet core for blowout coil	
		-	-	-	-	-	-	-	1	-	1	-	1	-	1	1	1	8617098	Magnet core for blowout coil
		1	-	1	-	1	-	1	-	-	-	-	-	-	-	1	-	5352174	Insulation sleeve for magnet core
2	34	-	-	-	-	-	-	-	1	-	1	-	1	-	1	-	205A4036P1	Insulation sleeve for magnet core for form "E" only	
		-	-	-	-	-	-	-	-	-	-	-	-	-	-	1	-	9023363	Insulation sleeve for magnet core
		2	-	1	-	2	-	1	-	-	-	-	-	-	-	-	-	5352176	Insulation washer for blowout coil
2	35	-	-	1	-	-	-	1	-	-	-	-	-	-	-	-	5356757	Insulation washer for blowout coil, right-hand	
		-	-	-	-	-	-	-	2	-	1	-	2	-	1	2	2	287A103P1	Insulation washer for blowout coil
		-	-	-	-	-	-	-	-	-	-	-	-	-	-	2	-	125A6760	Insulation washer for blowout coil for form "E" only.
2	36	-	-	-	-	-	-	-	-	1	-	1	-	1	-	-	8617094	Insulation washer for blowout coil, right-hand	
		2	-	1	-	2	-	1	-	-	-	-	-	-	-	-	5300826G3	Pole piece, outer, for blowout coil	
		-	-	1	-	-	-	1	-	-	-	-	-	-	-	-	-	5356756	Pole piece, outer, right-hand, for blowout coil
2	37	2	-	2	-	2	-	2	-	-	-	-	-	-	-	-	5300337	Pole piece, inner, for blowout coil	
		-	-	-	-	-	-	-	1	-	1	-	1	-	1	1	-	8690979G1	Pole piece with stud, right-hand, for 1 in. or 1 1/2 in. base
		-	-	-	-	-	-	-	1	-	1	-	1	-	1	1	1	8690979G3	Pole piece with stud, right-hand, for 2 in. base
2	38	-	-	-	-	-	-	-	-	-	-	-	-	-	1	-	2833563G2	Pole piece assembly right-hand, for form "E" only	
		-	-	-	-	-	-	-	1	-	1	-	1	-	1	1	-	8690979G2	Pole piece with stud, left-hand, for 1 in. or 1 1/2 in. base
		-	-	-	-	-	-	-	1	-	1	-	1	-	1	1	1	8690979G4	Pole piece with stud, left-hand, for 2 in. base
2	38	-	-	-	-	-	-	-	-	-	-	-	-	-	1	-	2833563G1	Pole piece assembly, left-hand, for form "E" only	
		1	-	1	-	1	-	1	-	2	-	2	-	2	2	2	2	8617097	Spacer for pole piece
		-	-	-	-	-	-	-	-	-	-	-	-	-	-	-	-	N57P25068B	Screw fastening outer pole pieces together (3/8 in. -16, 4 1/4 in. pan. hd., pro. fin.)
		4	-	4	-	4	-	4	-	-	-	-	-	-	-	-	N22P21008B	Screw fastening inner pole piece to arc chute (1/4 in. -20, 1/2 in. hex. hd., pro. fin.)	

**IC2800-1176 AND -1177 CONTACTORS**

COMPLETE LIST OF PARTS (CONT'D)

Fig. No.	Ref. No.	Number Required for IC2800-																Catalog Number	Description
		1176-														1177-			
		AH	AJ	AK	AL	AM	AN	AP	AQ	AR	AS	AT	AU	AV	AW	A	B		
2	39	-	-	-	-	-	-	-	1	-	1	-	1	-	1	1	1	N22P25068B	Screw fastening pole pieces together (3/8 in. -16, 4 1/4 in. hex. hd., pro. fin.)
2	40	-	-	-	-	-	-	-	1	-	1	-	1	-	1	1	1	8650326G1	Burning strip for blowout coil
2	41	-	-	-	-	-	-	-	2	-	2	-	2	-	2	2	2	9693215P1	Screw with lock washer fastening burning strip to blowout coil
		1	-	1	-	1	-	1	-	-	-	-	-	-	-	-	-	4900771G2	Arc chute, complete, with screws, nuts, and washers
		-	-	-	-	-	-	-	1	-	1	-	1	-	1	1	1	6960043G98	Arc chute, complete with clamp, screws, nuts, and washers
2	42	1	-	1	-	1	-	1	-	-	-	-	-	-	-	-	-	4927033	Arc chute side, right-hand
		-	-	-	-	-	-	-	1	-	1	-	1	-	1	1	1	9004331P1	Arc chute side, right-hand
2	43	1	-	1	-	1	-	1	-	-	-	-	-	-	-	-	-	4927032	Arc chute side, left-hand
		-	-	-	-	-	-	-	1	-	1	-	1	-	1	1	1	9004332P1	Arc chute side, left-hand
		2	-	2	-	2	-	2	-	-	-	-	-	-	-	-	-	N37P21044B	Screw fastening arc chute sides together (1/4 in. -20, 2 3/4 in. rd. hd., pro. fin.)
2	44	-	-	-	-	-	-	-	2	-	2	-	2	-	2	2	2	N44P21046B	Screw fastening arc chute sides together (1/4 in. -20, 2 7/8 in. fil. hd., pro. fin.)
2	45	-	-	-	-	-	-	-	1	-	1	-	1	-	1	1	1	8650329P4	Clamp for arc chute sides
2	46	-	-	-	-	-	-	-	2	-	2	-	2	-	2	2	2	9693218P2	Screw with lock washer fastening clamp to arc chute side
		1	-	-	-	1	-	-	1	-	-	-	1	-	-	1	1	5352171	Spacer for blowout coil studs and bus bar
		-	1	-	-	-	1	-	-	1	-	-	-	1	-	-	-	5359178	Spacer for screw and bus bar

GENERAL ELECTRIC COMPANY  
 INDUSTRIAL CONTROL PRODUCTS DEPARTMENT  
 SALEM, VA. 24153

