

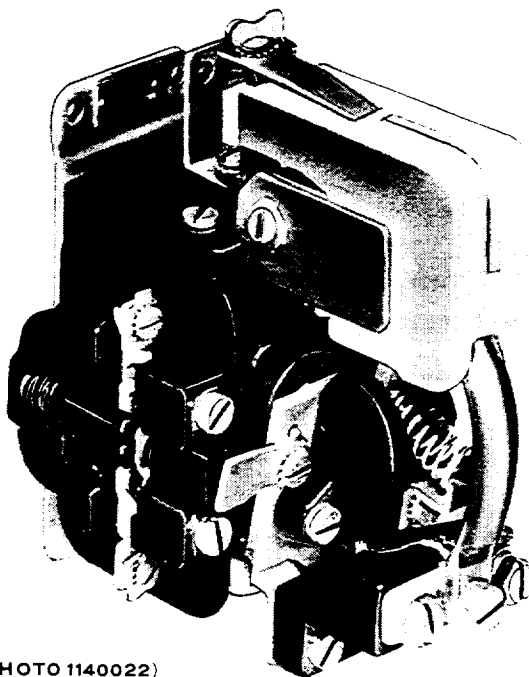
# RENEWAL PARTS



## IC2800-1617 CONTACTORS

(also CR2800-1617)  
Forms A, -B, -C, -E, and -F

NOTE:—When ordering parts for a form of the contactor not covered by this bulletin, give reference number, description of part, complete nameplate reading, and above bulletin (GEF) number. Do not use catalog number when form for which the parts are needed is not covered by the bulletin.



(PHOTO 1140022)

IC2800-1617C2X1 contactor

### PARTS RECOMMENDED FOR NORMAL STOCK

Ref. No.	Number Required for IC2800-1617-					Catalog Number	Description
	A	B	C	E	F		
1	1	1	1	1	1	-----	Operating coil (see table on page 2)
	Δ	Δ	Δ	Δ	Δ	-----	Set of interlock contacts (see table on page 2)
26	1	1	1	1	1	6973075G1	Stationary contact
32	1	1	1	1	1	8067076G1	Movable contact finger
34	1	1	1	1	1	2417618	Compression spring for movable contact finger
42	1	1	1	1	1	2417927	Tension spring for armature
22	-	1	1	1	1	8650867P1	Arc chute
33	1	1	1	1	1	9043584G1	Shunt for movable contact finger

Δ If interlock is used, a quantity of one set is required for each interlock.

When ordering renewal parts, give quantity, catalog number, description of each item required, and complete nameplate reading.

GENERAL  ELECTRIC

**IC2800-1617 CONTACTORS**

Ref. No. 1 - OPERATING COILS - 1 Required

NOTE:- The operating coil is identified by the number following the form letter in the IC designation.

EXAMPLE:- IC2800-1617-A-2-B requires operating coil No. 2, Cat. No. 22D154G2.

Coil No.	Catalog Number	Coil No.	Catalog Number	Coil No.	Catalog Number
2	22D154G2	11	22D154G11	20	22D154G20
3	22D154G3	12	22D154G12	21	22D154G21
4	22D154G4	13	22D154G13	22	22D154G22
5	22D154G5	14	22D154G14	23	22D154G23
6	22D154G6	15	22D154G15	24	22D154G24
7	22D154G7	16	22D154G16	25	22D154G25
8	22D154G8	17	22D154G17	26	22D154G26
9	22D154G9	18	22D154G18	27	22D154G27
10	22D154G10	19	22D154G19		

**ELECTRICAL INTERLOCKS .**

NOTE:- The interlock is identified by the letter or letter and number following the coil number in the IC designation.

EXAMPLES:- IC2800-1617-A-2-B requires interlock letter B, Cat. No. IC2956A200G.

IC2800-1617-A-2-X1 requires interlock letter and number X1, Cat. No. 6927495G5.

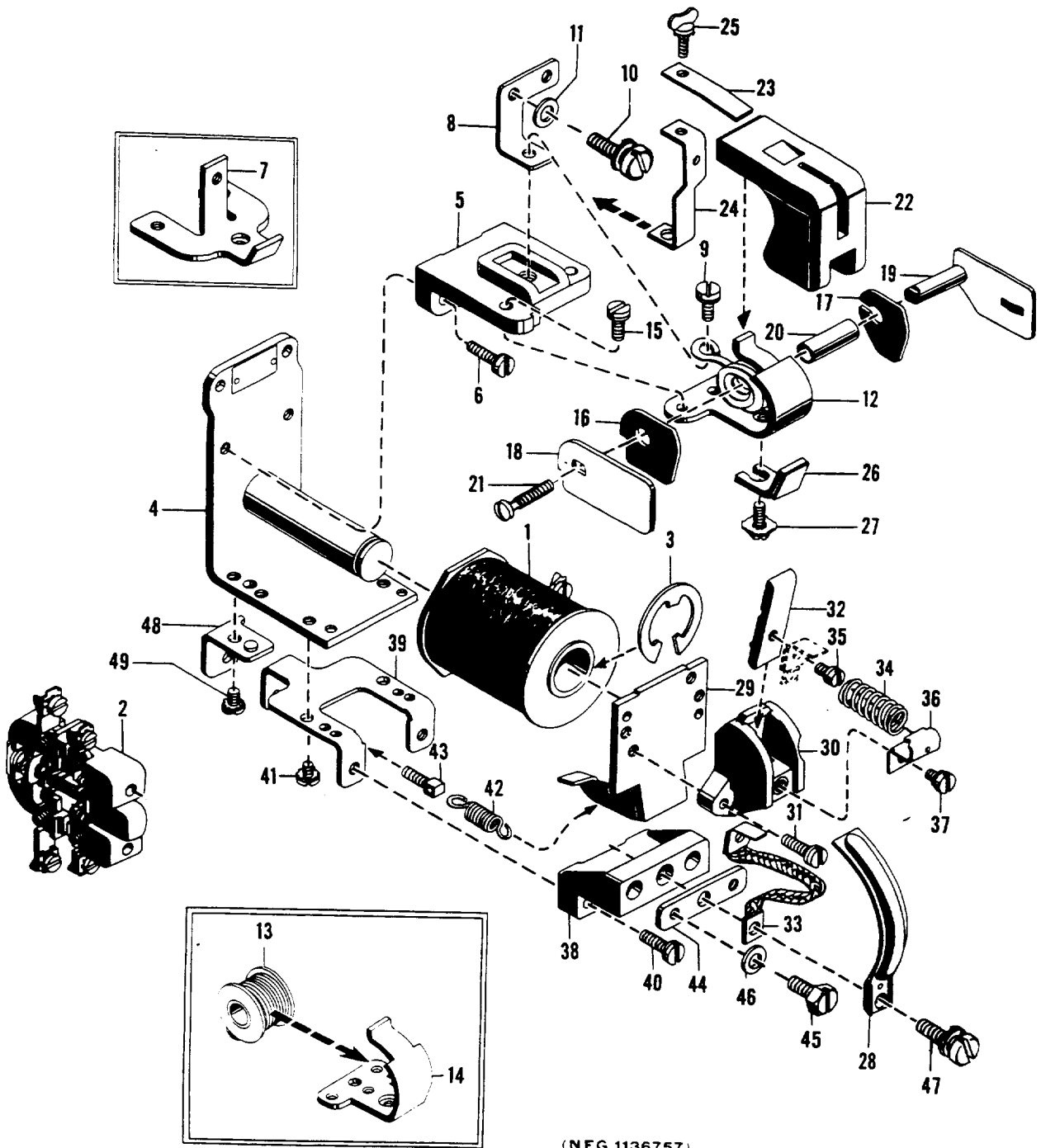
Interlock Letter	Ref. No. 2 Interlock Switch Unit		§Set of Interlock Contacts	Interlock Mounting Kit
	Right-hand	Left-hand		
	Cat. No.	Cat. No.	Cat. No.	Cat. No.
B	-----	IC2956A200G	6960053G1	IC2956A202C
C	IC2956A200G	-----	6960053G1	IC2956A202D
D	-----	IC2956A200H	6960053G2	IC2956A202C
E	IC2956A200H	-----	6960053G2	IC2956A202D
F	-----	IC2956A200A	6960053G3	IC2956A202C
G	IC2956A200A	-----	6960053G3	IC2956A202D
H	-----	IC2956A200C	6960053G3	IC2956A202C
J	IC2956A200C	-----	6960053G3	IC2956A202D
K	-----	IC2956A200B	6960053G3	IC2956A202C
L	IC2956A200B	-----	6960053G3	IC2956A202D

Interlock Number	Ref. No. 2 Interlock Switch Unit		§Set of Interlock Contacts	Interlock Mounting Kit
	Right-hand	Left-hand		
	Cat. No.	Cat. No.	Cat. No.	Cat. No.
X1	-----	6927495G5	6960046G56	8201904G1
X2	6927495G5	-----	6960046G56	8201904G2
X3	-----	6927495G4	6960046G56	8201904G1
X4	6927495G4	-----	6960046G56	8201904G2
X5	-----	6927495G2	6960046G55	8201904G1
X6	6927495G2	-----	6960046G55	8201904G2
X7	-----	6927495G3	6960046G55	8201904G1
X8	6927495G3	-----	6960046G55	8201904G2
X9	-----	6927495G1	6960046G55	8201904G1
X10	6927495G1	-----	6960046G55	8201904G2

§ Includes movable and stationary contacts with springs and contact-holding screws.

# IC2800-1617 CONTACTORS

GEF-3604C



(NEG 1136757)

## IC2800-1617 CONTACTORS

## COMPLETE LIST OF PARTS

Ref. No.	Number Required for IC2800-1617-					Catalog Number	Description
	A	B	C	E	F		
3	1	1	1	1	1	577A155P1	Retainer for operating coil
4	1	1	1	1	1	8650866G1	Magnet frame with core
5	1	1	1	1	1	9043374P1	Insulation base
6	2	2	2	2	2	N144P16010C	Screw with lock washer fastening insulation base to magnet frame
7	1	-	-	-	-	8650870P2	Terminal and stationary contact support
8	-	1	1	1	1	8650872P5	Terminal support
9	-	1	1	1	1	N144P16008C	Screw with lock washer fastening blowout coil lead and terminal support to insulation base
10	1	1	1	1	1	N144P21010C	Screw with lock washer for terminal support
11	1	1	1	1	1	N402P11B	Washer for screw Ref. No. 10
12	-	1	-	-	-	9043373G1	Blowout coil and stationary contact support
12	-	-	1	-	-	9043373G2	Blowout coil and stationary contact support
13	-	-	-	1	-	3247664	Blowout coil
13	-	-	-	-	1	3243604	Blowout coil
14	-	-	-	1	1	8650868P1	Support for stationary contact
15	2	2	2	2	2	N144P16010C	Screw with lock washer fastening stationary contact support to insulation base
16	-	1	1	1	1	9043375P1	Insulation for blowout coil, left-hand
17	-	1	1	1	1	9043375P2	Insulation for blowout coil, right-hand
18	-	1	1	1	1	8650868P4	Pole piece, left-hand
19	-	1	1	1	1	8650868G1	Pole piece with core, right-hand
20	-	1	1	1	1	9023914	Insulation tube for blowout coil
21	-	1	1	1	1	N57P15005B	Screw fastening pole piece and insulation to core (8-32, 5/16 in. pan hd., pro. fin.)
22	-	1	1	1	1	8650867P1	Arc chute
23	-	1	1	1	1	8650870P6	Clamp for arc chute
24	-	1	1	1	1	8650870P5	Supporting bracket for clamp
25	-	1	1	1	1	9693202P1	Wing screw fastening clamp to supporting bracket
26	1	1	1	1	1	6973075G1	Stationary contact
27	1	1	1	1	1	9384190P1	Screw with lock washer fastening stationary contact to support
28	-	1	1	1	1	8650869G1	Arcing horn
29	1	1	1	1	1	8650872G1	Armature assembly
30	1	1	1	1	1	8650873P1	Molded support for movable contact finger
31	2	2	2	2	2	N144P16010C	Screw with lock washer fastening molded support to armature
32	1	1	1	1	1	8067076G1	Movable contact finger
33	1	1	1	1	1	9043584G1	Shunt for movable contact finger
34	1	1	1	1	1	2414818	Compression spring for movable contact finger
35	1	1	1	1	1	9693201P1	Screw with lock washer fastening shunt to movable contact finger
36	1	1	1	1	1	8650870P3	Support for compression spring
37	1	1	1	1	1	N144P16004C	Screw with lock washer fastening spring support to molded support
38	1	1	1	1	1	5149048G1	Terminal block
39	1	1	1	1	1	8650870P1	Supporting bracket for terminal block
40	2	2	2	2	2	N144P16012C	Screw with lock washer fastening terminal block to support
41	2	2	2	2	2	N144P16006C	Screw with lock washer fastening supporting bracket to magnet frame
42	1	1	1	1	1	2417927	Torsion spring for armature
43	1	1	1	1	1	9092285	Post for torsion spring
44	1	1	1	1	1	8650871P4	Connection strip for terminal block
45	2	2	2	2	2	N144P21010C	Terminal screw with lock washer, for terminal board
46	2	2	2	2	2	N402P11B	Washer for screw Ref. No. 45
47	1	1	1	1	1	N144P21012C	Screw with lock washer fastening arcing horn, shunt, and connection strip to terminal block
48	1	1	1	1	1	8650866P4	Mounting bracket
49	1	1	1	1	1	N144P16006C	Screw with lock washer fastening mounting bracket to frame