

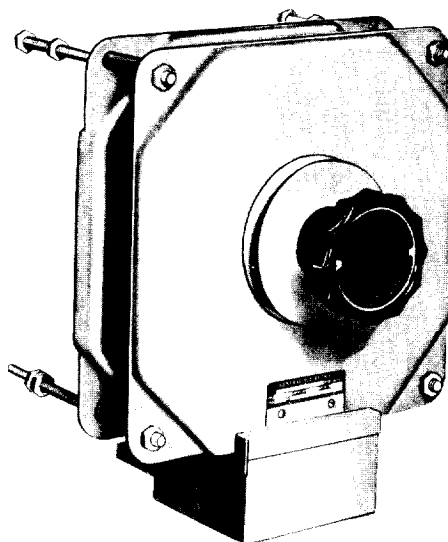
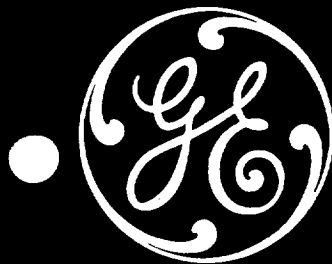
RENEWAL PARTS

IC8000-EC AND IC8070-EC PLATE-TYPE RHEOSTATS

(also CR8000-EC and CR8070-EC)

IC8000-EC and IC8070-EC-101AA, -103AA, -104AA, -201AA,
-203AA, -204AA, -301AA, -302AA, -303AA, -304AA,
-401AA, -402AA, -403AA, -404AA

12-inch Plate



(PHOTO 1071134)

IC8070-EC201AA Plate-type rheostat

Ref.No. 1 - RESISTANCE PLATES

When ordering Resistance Plates, the group number suffix must be added to the resistance plate root Cat.No. The last number in the Cat.No. designation identifies the resistance plate group number.

Example: - CR8000-EC-101-AA-12 requires resistance plate 3246918G12.

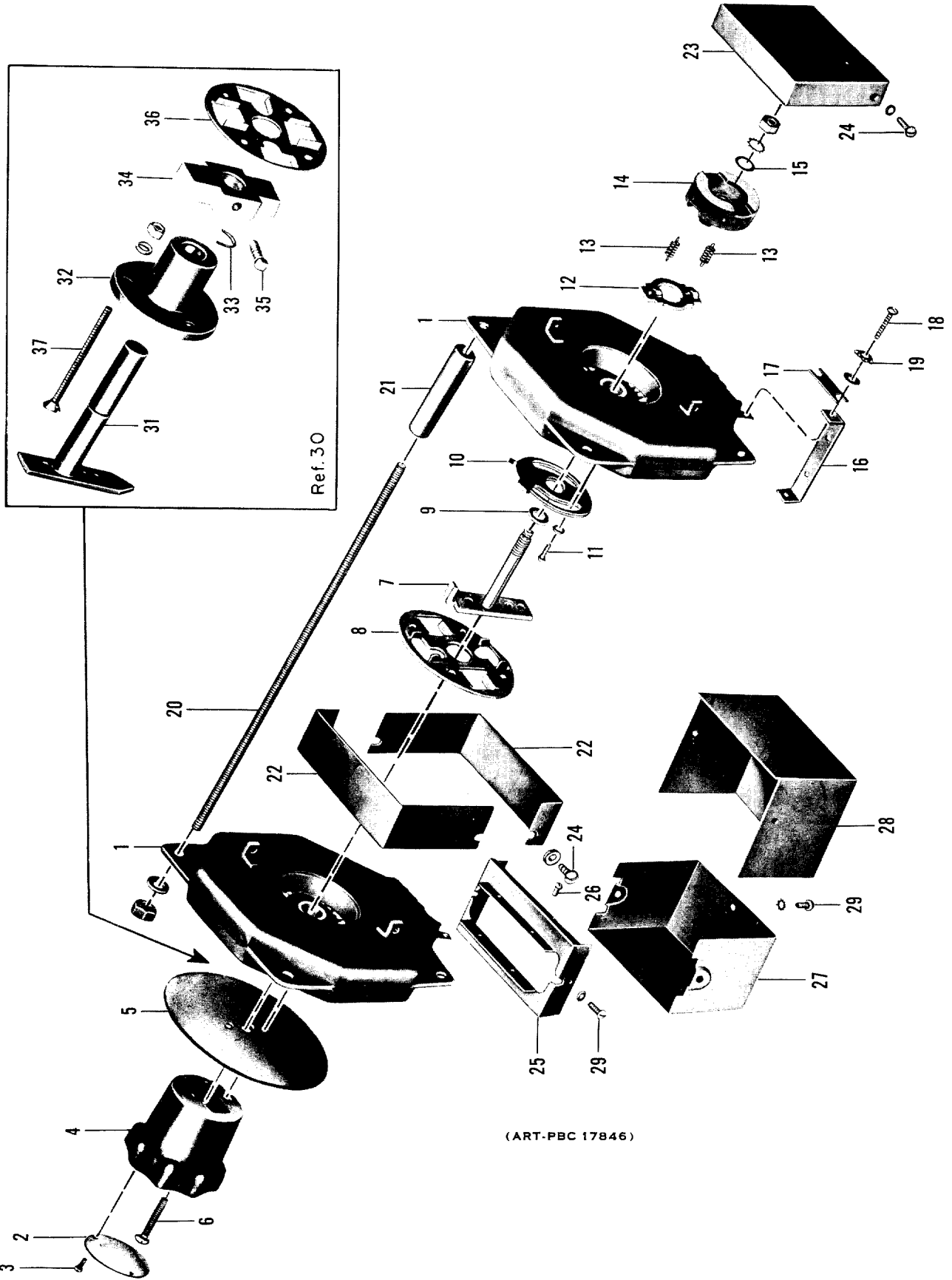
The resistance plate root Cat.No. should be determined from the following table.

Rheostat Root Cat.No.	Resistance Plate		Rheostat Root Cat.No.	Resistance Plate	
	Root Cat.No.	No.Re- quired		Root Cat.No.	No.Re- quired
CR8000-EC101AA	3246918	1	CR8070-EC101AA	3246918	1
CR8000-EC102AA	3246919	1	CR8070-EC102AA	3246919	1
CR8000-EC103AA	3246920	1	CR8070-EC103AA	3246920	1
CR8000-EC104AA	3246921	1	CR8070-EC104AA	3246921	1
CR8000-EC201AA	3246918	2	CR8070-EC201AA	3246918	2
CR8000-EC202AA	3246919	2	CR8070-EC202AA	3246919	2
CR8000-EC203AA	3246920	2	CR8070-EC203AA	3246920	2
CR8000-EC204AA	3246921	2	CR8070-EC204AA	3246921	2
CR8000-EC301AA	3246918	3	CR8070-EC301AA	3246918	3
CR8000-EC302AA	3246919	3	CR8070-EC302AA	3246919	3
CR8000-EC303AA	3246920	3	CR8070-EC303AA	3246920	3
CR8000-EC304AA	3246921	3	CR8070-EC304AA	3246921	3
CR8000-EC401AA	3246918	4	CR8070-EC401AA	3246918	4
CR8000-EC402AA	3246919	4	CR8070-EC402AA	3246919	4
CR8000-EC403AA	3246920	4	CR8070-EC403AA	3246920	4
CR8000-EC404AA	3246921	4	CR8070-EC404AA	3246921	4

When ordering renewal parts, give quantity, catalog number, description of each item required, and complete nameplate reading.

GENERAL  **ELECTRIC**

IC8000-EC AND IC8070-EC PLATE-TYPE RHEOSTATS



IC8000-EC AND IC8070-EC PLATE-TYPE RHEOSTATS

GEF-3645A

Ref. No.	No. Required for CR8000-EC - or CR8070-EC -												Cat. No.	Description				
	101AA	102AA	103AA	104AA	201AA	202AA	203AA	204AA	301AA	302AA	303AA	304AA			401AA	402AA	403AA	404AA
2	1		1		1		1		1		1		1		1		-----	Directional nameplate (cuts in resistance clockwise) (Order by NP130571A)
2		1		1		1		1		1		1		1		1	-----	Directional nameplate (cuts in resistance counterclockwise)(Order by NP135640)
3	2	2	2	2	2	2	2	2	2	2	2	2	2	2	2	2	101X198	Screw fastening directional nameplate to handwheel
4	1	1	1	1	1	1	1	1	1	1	1	1	1	1	1	1	9155374P1	Handwheel
5	1	1	1	1	1	1	1	1	1	1	1	1	1	1	1	1	9385798P1	Shield
6	2	2	2	2	2	2	2	2	2	2	2	2	2	2	2	2	N37P16018B	Screw fastening handwheel and shield to stop (10-32)
7	1	1	1	1	2	2	2	2	3	3	3	3	4	4	4	4	9196895G1	Shaft with stop
8					1	1	1	1	2	2	2	2	3	3	3	3	9196877P1	Coupling
9	1	1	1	1	2	2	2	2	3	3	3	3	4	4	4	4	*9098827	Spacing washer for shaft
10	2	2	2	2	4	4	4	4	6	6	6	6	8	8	8	8	9196872	Stop plate
11	2	2	2	2	4	4	4	4	6	6	6	6	8	8	8	8	N30P21006B	Screw fastening stop plate to resistance plate (1/4 in. -20)
12	1	1	1	1	2	2	2	2	3	3	3	3	4	4	4	4	9196876G2	Brush assembly
13	2	2	2	2	4	4	4	4	6	6	6	6	8	8	8	8	2418867	Compression spring for brush
14	1	1	1	1	2	2	2	2	3	3	3	3	4	4	4	4	9138337P1	Brush support
15	1	1	1	1	2	2	2	2	3	3	3	3	4	4	4	4	414732	Washer for brush support
16					Δ	Δ	Δ	Δ	Δ	Δ	Δ	Δ	Δ	Δ	Δ	Δ	9397197P1	"U" shaped connector
17	Δ	Δ	Δ	Δ	Δ	Δ	Δ	Δ	Δ	Δ	Δ	Δ	Δ	Δ	Δ	Δ	9085884	Straight connector
18	3	3	3	3	6	6	6	6	9	9	9	9	12	12	12	12	N22P21012B	Screw fastening connectors to terminals (1/4 in. -20)
19	6	6	6	6	12	12	12	12	18	18	18	18	24	24	24	24	6073952P2	Pronged washer for screw fastening leads to terminals
20	4	4	4	4													2247882P10	Mounting stud
20					4	4	4	4									2247882P11	Mounting stud
20									4	4	4	4					2247882P12	Mounting stud
20													4	4	4	4	2247882P13	Mounting stud
21					4	4	4	4	4	4	4	4	4	4	4	4	2224729	Spacer between resistance plates

COVERS FOR CR8070-EC RHEOSTATS

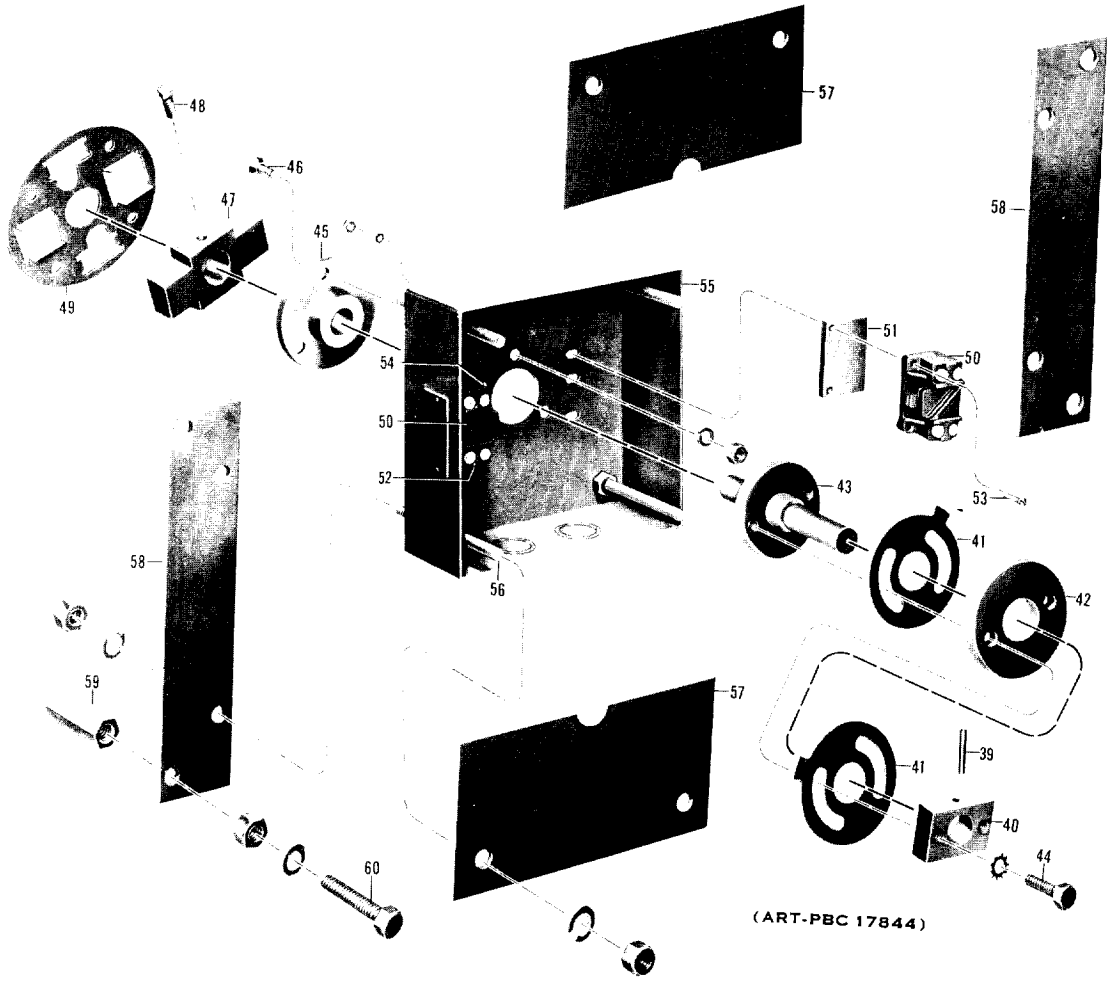
Ref. No.	No. Required for CR8070-EC -												Cat. No.	Description				
	101AA	102AA	103AA	104AA	201AA	202AA	203AA	204AA	301AA	302AA	303AA	304AA			401AA	402AA	403AA	404AA
22					2	2	2	2	4	4	4	4	6	6	6	6	9397178	Cover for coupling
23	1	1	1	1	1	1	1	1	1	1	1	1	1	1	1	1	9397179	End cover for brush assembly
24	2	2	2	2	4	4	4	4	6	6	6	6	8	8	8	8	N37P15006B	Screw fastening covers in position (8-32)
25	1	1	1	1	2	2	2	2	3	3	3	3	4	4	4	4	9350895P1	Conduit box support
26	4	4	4	4	4	4	4	4	4	4	4	4	4	4	4	4	101X204	Screw fastening conduit box support to resistance plate (6-32)
27	1	1	1	1	1	1	1	1	1	1	1	1	1	1	1	1	† 9350895P2	Conduit box
28	2	2	2	2	1	1	1	1	1				1	1	1	1	9350895P3	Conduit box cover
28					1	1	1	1									9397226P1	Conduit box cover
28									1	1	1	1					9397226P2	Conduit box cover
28													1	1	1	1	9397226P3	Conduit box cover
29	3	3	3	3	5	5	5	5	5	5	5	5	5	5	5	5	N37P15006B	Screw fastening cover or conduit box support in position (8-32)

† If the conduit box on your rheostat has four sides, the same as Ref. 27 in the illustration, you should also order one Cat. 9350895P3 cover, because conduit box Cat. 9350895P2 as now furnished has only three sides and the additional cover is required to complete the enclosure. If the conduit box on your rheostat is similar to Ref. 27 in illustration but has only three sides, no additional parts are required and this note may be disregarded.

Δ Quantity variable.

* Not used on latest design - order only if actually used on your rheostat

IC8000-EC AND IC8070-EC PLATE-TYPE RHEOSTATS



Ref. No. 38 Interlock mechanism

OPERATING MECHANISM FOR BACK-OF-BOARD MOUNTING

Ref. No.	No. Required for CR8000-EC - or CR8070-EC -														Cat.No.	Description		
	101AA	102AA	103AA	104AA	201AA	202AA	203AA	204AA	301AA	302AA	303AA	304AA	401AA	402AA			403AA	404AA
30	1	1	1	1	1	1	1	1	1	1	1	1	1	1	1	1	9350861G1	Back-of-board mounting mechanism assembly
31	1	1	1	1	1	1	1	1	1	1	1	1	1	1	1	1	9385529G1	Shaft and pointer assembly
32	1	1	1	1	1	1	1	1	1	1	1	1	1	1	1	1	9397235P1	Bearing hub
33	1	1	1	1	1	1	1	1	1	1	1	1	1	1	1	1	101X253	Retaining ring
34	1	1	1	1	1	1	1	1	1	1	1	1	1	1	1	1	9653798	Coupling arm
35	1	1	1	1	1	1	1	1	1	1	1	1	1	1	1	1	20X532	Set screw holding coupling arm in position (1/4 in.-20)
36	1	1	1	1	1	1	1	1	1	1	1	1	1	1	1	1	9196877P1	Coupling
37	3	3	3	3	3	3	3	3	3	3	3	3	3	3	3	3	9644284	Mounting screw fastening operating mechanism to panel

IC8000-EC AND IC8070-EC PLATE-TYPE RHEOSTATS

GEF-3645A

INTERLOCK MECHANISM 12-Inch Plate

Ref. No.	Cat.No.	No.Re-quired	Description
38	9653797G3	1	Interlock mechanism, complete, for CR8000-EC Rheostat
38	9653797G6	1	Interlock mechanism, complete, for CR8070-EC Rheostat
39	101X519	1	Groov pin fastening handwheel support to shaft assembly
40	9098063	1	Handwheel support
41	9196872P1	2	Stop plate
42	9098066	1	Spacer between stop plates
43	9397618G1	1	Shaft assembly
44	N22P21012B	2	Screw fastening stop plates and spacer to shaft assembly (1/4 in.-20)
45	9098061	1	Bearing hub
46	N44P21010B	3	Screw fastening bearing hub to box for interlock (1/4 in.-20)
47	9653798	1	Coupling arm
48	N72P2108B	1	Set screw holding coupling arm to shaft (1/4 in.-20)
49	9196877	1	Coupling
50	CR1070-A102F	2	Switchette
51	9098072P1	1	Spacer between switchette and interlock box (5/16 in. thick)
52	9098072P2	1	Spacer between switchette and interlock box (5/8 in. thick)
53	N37P13016B	2	Screw fastening switchette and spacer to interlock box (6-32, 1 in.)
54	N37P13020B	2	Screw fastening switchette and spacer to interlock box (6-32, 1 1/4 in.)
55	9664626P1	1	Interlock box
56	2401918	4	Mounting stud
57	9664626P2	2	Cover for interlock box
58	9098077	2	Support for interlock
59	9098712	4	Spacer between interlock and rheostat
60	N22P25028B	4	Screw fastening interlock support to spacer
	9644532	1	Cover for interlock coupling and brush rigging assembly, for interlock mechanism Cat.No. 9653797G6 only

WASHERS

Cat.No.	Description
N402P9B	For No. 10 screw
N402P13B	For 3/8 in. screw

NUTS

N210P13B	6-32, hex. std
N210P25B	3/8 in.-16, hex. std
N203P32B	5/8 in.-18, hex. std

LOCK WASHERS

Cat.No.	Description
N405P5B	For No. 4 screw
N405P8B	For No. 8 screw
N403P16B	For No. 8 screw, Shakeproof
N405P9B	For No. 10 screw
N405P11B	For 1/4 in. screw
N403P25B	For 1/4 in. screw, Shakeproof
N405P13B	For 3/8 in. screw
N403P62B	For 5/8 in. screw, Shakeproof

IC8000-EC AND IC8070-EC PLATE-TYPE RHEOSTATS

INDEX OF CATALOG NUMBERS

Catalog identifications in this index are arranged in order, reading from *left to right*, first alphabetically according to the prefix letter or letters, if used, and second numerically.

In this index all numbers with a letter prefix will precede those without prefixes.

The number of letters or digits does not affect placement in the table, thus A1999999 will precede A2, and ZZ9999999 will precede Cat. No. 1 (number without a prefix). Letters take precedence over numbers so that Cat. No. 26F1 will precede Cat. No. 261.

Cat. No.	Page	Cat. No.	Page	Cat. No.	Page	Cat. No.	Page
CR1070-A102F	5	N405P9B	5	6073952P2	3	9350895P2	3
N203P32B	5	N44P21010B	5	9085884	3	9350895P3	3
N210P13B	5	N72P2108B	5	9098061	5	9385529G1	4
N210P25B	5	101X198	3	9098063	5	9385798P1	3
N22P21012B	3,5	101X204	3	9098066	5	9397178	3
N22P25028B	5	101X253	4	9098072P1	5	9397179	3
N30P21006B	3	101X519	5	9098072P2	5	9397197P1	3
N37P13016B	5	20X532	4	9098077	5	9397226P1	3
N37P13020B	5	2224729	3	9098712	5	9397226P2	3
N37P15006B	3	2247882P10	3	9098827	3	9397226P3	3
N37P16018B	3	2247882P11	3	9138337P1	3	9397235P1	4
N402P13B	5	2247882P12	3	9155374P1	3	9397618G1	5
N402P9B	5	2247882P13	3	9196872	3	9644284	4
N403P16B	5	2401918	5	9196872P1	5	9644532	5
N403P25B	5	2418867	3	9196877	5	9653797G3	5
N403P62B	5	3246918	1	9196877P1	3,4	9653797G6	5
N405P11B	5	3246919	1	9196895G1	3	9653798	4,5
N405P13B	5	3246920	1	9198876G1	3	9664626P1	5
N405P5B	5	3246921	1	9350861G1	4	9664626P2	5
N405P8B	5	414732	3	9350895P1	3		

**GENERAL ELECTRIC COMPANY
INDUSTRIAL CONTROL PRODUCTS DEPARTMENT
SALEM, VA. 24153**

