

RENEWAL PARTS

IC2800-1609 CONTACTORS

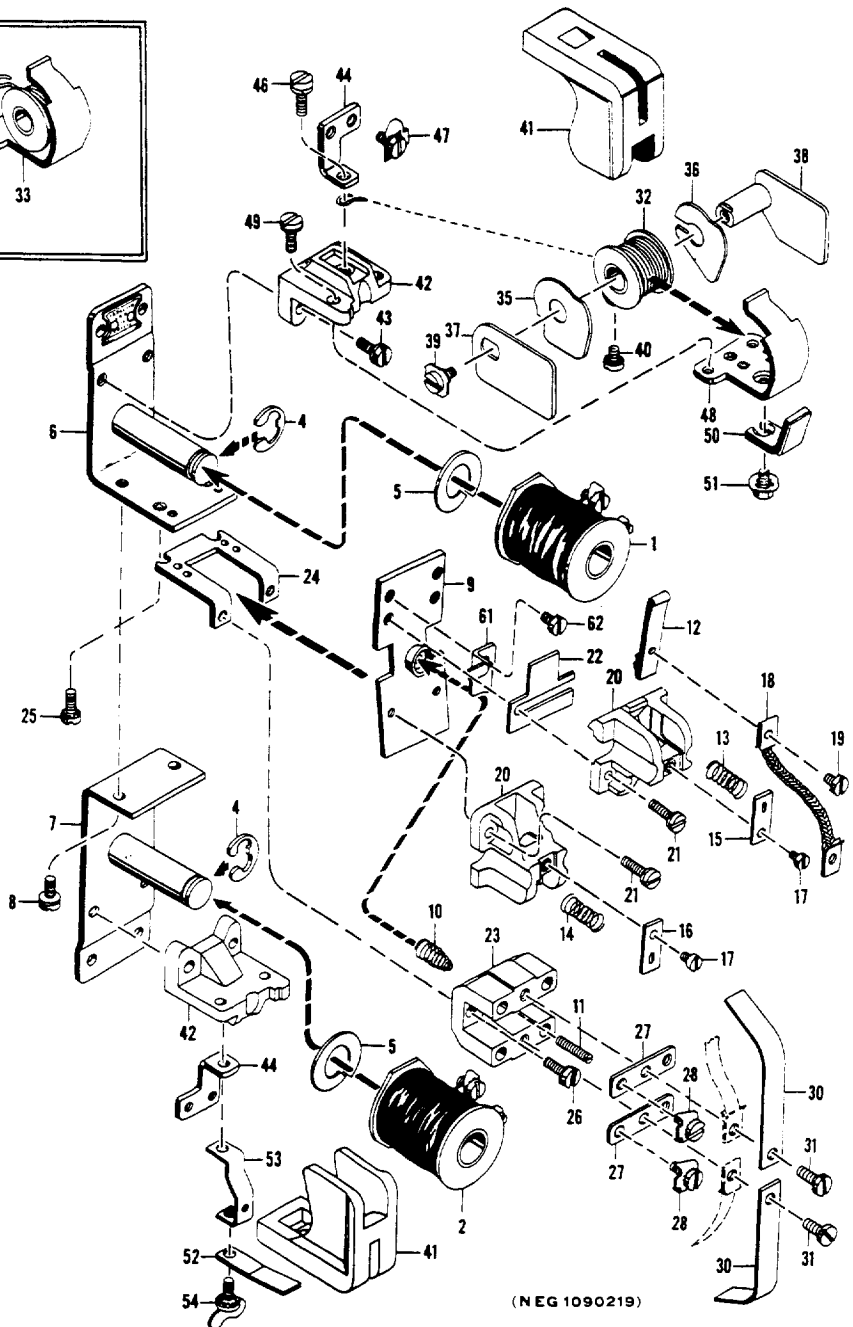
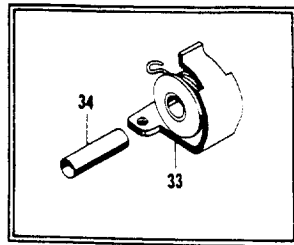
(also CR2800-1609)

Forms D, F, H, J, K, L, and M

NOTE:—When ordering parts for a form of the contactor not covered by this bulletin, give reference number, description of part, complete nameplate reading, and above bulletin (GEF) number. Do not use catalog number when form for which the parts are needed is not covered by the bulletin.



IC2800-1609G contactor



When ordering renewal parts, give quantity, catalog number, description of each item required, and complete nameplate reading.

GENERAL  ELECTRIC

IC2800-1609 CONTACTORS
PARTS RECOMMENDED FOR NORMAL STOCK

Ref. No.	No. Req. for IC2800-1609-							Cat. No.	Description
	D	F	H	J	K	L	M		
1	1	1	1	1	1	1	1	-----	Operating coil (See table below)
2	-	-	-	1	-	1	-	-----	Holding coil (See table below)
	Δ	Δ	Δ	Δ	Δ	Δ	Δ	-----	Set of interlock contacts (See table on page 3)
12	2	2	2	2	2	2	2	6974772G1	Movable contact finger
50	2	2	2	2	2	2	2	6973075G1	Stationary contact tip
13	1	1	1	1	1	1	1	2418819	Compression spring for upper movable contact finger
14	1	1	1	1	1	1	1	2419451	Compression spring for lower movable contact finger
10	1	1	1	1	1	1	1	2418822	Compression spring for armature
18	2	2	2	2	2	2	2	9043178G1	Shunt for movable contact finger
41	2	2	2	2	2	2	2	8650772P1	Arc chute

Δ If interlock is used a quantity of one set is required for each interlock.

Ref. No. 1 - OPERATING COILS - 1 Required

NOTE:- The operating coil is identified by the number following the form letter in the IC designation.

EXAMPLE:- IC2800-1609-D-2-3-B requires operating coil No. 2, Cat. No. 1D106G2.

Coil Number	Catalog Number	Coil Number	Catalog Number	Coil Number	Catalog Number	Coil Number	Catalog Number
2	1D106G2	11	1D106G11	19	*1D106G2	27	1D106G27
3	1D106G3	12	1D106G12	20	†1D106G2	28	1D106G28
4	1D106G4	13	1D106G13	21	1D106G21	29	1D106G29
5	1D106G5	14	1D106G14	22	1D106G22	30	1D106G30
6	1D106G6	15	1D106G15	23	1D106G23	102	1D106G102
7	1D106G7	16	1D106G16	24	1D106G24	103	1D106G103
8	1D106G8	17	1D106G17	25	1D106G25	104	1D106G104
9	1D106G9	18	1D106G18	26	1D106G26	105	1D106G105
10	1D106G10						

Ref. No. 2 - HOLDING COILS - 1 Required

(For Forms J and L only)

NOTE:- The holding coil is identified by the number following the operating coil number in the IC designation.

EXAMPLE:- IC2800-1609-D-2-3-B requires holding coil No. 3, Cat. No. 1D106G3.

Coil Number	Catalog Number	Coil Number	Catalog Number	Coil Number	Catalog Number	Coil Number	Catalog Number
2	1D106G2	11	1D106G11	19	*1D106G2	27	1D106G27
3	1D106G3	12	1D106G12	20	†1D106G2	28	1D106G28
4	1D106G4	13	1D106G13	21	1D106G21	29	1D106G29
5	1D106G5	14	1D106G14	22	1D106G22	30	1D106G30
6	1D106G6	15	1D106G15	23	1D106G23	102	1D106G102
7	1D106G7	16	1D106G16	24	1D106G24	103	1D106G103
8	1D106G8	17	1D106G17	25	1D106G25	104	1D106G104
9	1D106G9	18	1D106G18	26	1D106G26	105	1D106G105
10	1D106G10						

* Requires 5,700 ohm resistor. Catalog number of coil does not include resistor.

† Requires 910 ohm resistor. Catalog number of coil does not include resistor.

OPERATING AND HOLDING COILS - 1 of each Required

(For Forms J and L only)

NOTE:- The operating and holding coil is identified by the number following the form letter in the IC designation.

EXAMPLE:- IC2800-1609-D-202-B requires operating and holding coil number 202 Cat. No. 1D106G2 (operating coil); Cat. No. 1D106G2 (holding coil).

Coil No.	Operating Coil Ref. No. 1 Cat. No.	Holding Coil Ref. No. 2 Cat. No.	Coil No.	Operating Coil Ref. No. 1 Cat. No.	Holding Coil Ref. No. 2 Cat. No.	Coil No.	Operating Coil Ref. No. 1 Cat. No.	Holding Coil Ref. No. 2 Cat. No.
202	1D106G2	1D106G2	206	1D106G13	1D106G2	208	1D106G13	1D106G13
203	1D106G3	1D106G3	207	1D106G9	1D106G9	209	1D106G3	1D106G2
205	#1D106G2	#1D106G2						

Requires 6,000 ohm resistor. Catalog number of coil does not include resistor.

IC2800-1609 CONTACTORS

GEF-3757D

ELECTRICAL INTERLOCKS

NOTE:- The interlock is identified by the letter or letter and number following the coil number in the IC designation.

Examples:- IC2800-1609-D-2-3-B requires interlock letter B, Cat. No. IC2956A200G.
IC2800-1609-D-2-3-X1 requires interlock letter and number X1, Cat. No. 6927495G5.

Interlock Letter	Ref. No. 3 Interlock Switch Unit		§Set of Interlocks Contacts Cat. No.	Interlock Mounting Kit
	Right-hand Cat. No.	Left-hand Cat. No.		
B	-----	IC2956A200G	6960053G2	IC2956A202J
C	IC2956A200G	-----	6960053G2	IC2956A202K
D	-----	IC2956A200H	6960053G2	IC2956A202J
E	IC2956A200H	-----	6960053G2	IC2956A202K
F	-----	IC2956A200A	6960053G3	IC2956A202J
G	IC2956A200A	-----	6960053G3	IC2956A202K
H	-----	IC2956A200C	6960053G3	IC2956A202J
J	IC2956A200C	-----	6960053G3	IC2956A202K
K	-----	IC2956A200B	6960053G3	IC2956A202J
L	IC2956A200B	-----	6960053G3	IC2956A202K
AB	-----	IC2956A200AD	6960053G23	IC2956A202J
AC	IC2956A200AD	-----	6960053G23	IC2956A202K
AD	-----	IC2956A200AE	6960053G23	IC2956A202J
AE	IC2956A200AE	-----	6960053G23	IC2956A202K
AF	-----	IC2956A200AA	6960053G22	IC2956A202J
AG	IC2956A200AA	-----	6960053G22	IC2956A202K
AH	-----	IC2956A200AC	6960053G22	IC2956A202J
AJ	IC2956A200AC	-----	6960053G22	IC2956A202K
AK	-----	IC2956A200AB	6960053G22	IC2956A202J
AL	IC2956A200AB	-----	6960053G22	IC2956A202K

Interlock Number	Ref. No. 3 Interlock Switch Unit		§Set of Interlock Contacts Cat. No.	Interlock Number	Ref. No. 3 Interlock Switch Unit		§Set of Interlock Contacts Cat. No.
	Right-hand Cat. No.	Left-hand Cat. No.			Right-hand Cat. No.	Left-hand Cat. No.	
X1	-----	6927495G5	6960046G56	X6	6927495G2	-----	6960046G55
X2	6927495G5	-----	6960046G56	X7	-----	6927495G3	6960046G55
X3	-----	6927495G4	6960046G56	X8	6927495G3	-----	6960046G55
X4	6927495G4	-----	6960046G56	X9	-----	6927495G1	6960046G55
X5	-----	6927495G2	6960046G55	X10	6927495G1	-----	6960046G55

§ Includes movable and stationary contacts with springs and contact-holding screws.

Ref. No.	No. Req. for IC2800-1609-							Cat. No.	Description
	D	F	H	J	K	L	M		
4	1	1	1	2	1	2	1	N910P50B6	Retainer for operating or holding coil
5	1	1	1	2	1	2	1	9092730	Lock washer for operating or holding coil
6	1	1	1	1	1	1	1	8650770G2	Magnet frame with core, upper
7	1	1	1	1	1	1	1	8650771G1	Magnet frame with core, lower
8	2	2	2	2	2	2	2	N144P16006C	Screw with lock washer fastening lower magnet frame to upper magnet frame
9	1	1	1	1	1	1	1	8650775G1	Armature with spring seat and stop
10	1	1	1	1	1	1	1	2418822	Compression spring for armature
11	1	1	1	1	1	1	1	9023691	Adjusting screw for compression spring
12	2	2	2	2	2	2	2	6974772G1	Movable contact finger
13	1	1	1	1	1	1	1	2418819	Compression spring for upper movable contact finger
14	1	1	1	1	1	1	1	2419451	Compression spring for lower movable contact finger
15	1	1	1	1	1	1	1	8650777P9	Support for upper compression spring
16	1	1	1	1	1	1	1	9694754	Support for lower compression spring
17	2	2	2	2	2	2	2	N144P13004C	Screw with lock washer fastening upper or lower spring support to molded support
18	2	2	2	2	2	2	2	9043178G1	Shunt for movable contact finger
19	2	2	2	2	2	2	2	N144P13004C	Screw with lock washer fastening shunt to movable contact finger
20	2	2	2	2	2	2	2	8650773P1	Molded support for movable contact finger
21	4	4	4	4	4	4	4	N144P15008C	Screw with lock washer fastening molded support to armature
22	§	§	§	§	§	§	§	9644198P1	Shim between upper molded support and armature (0.030 in. thick)
22	§	§	§	§	§	§	§	9644198P2	Shim between upper molded support and armature (0.062 in. thick)

§ Quantity variable

IC2800-1609 CONTACTORS

Ref. No.	No. Req. for IC2800-1609-							Cat. No.	Description
	D	F	H	J	K	L	M		
23	1	1	1	1	1	1	1	9043483G1	Terminal block
24	1	1	1	1	1	1	1	8650775P5	Supporting bracket for terminal block
25	2	2	2	2	2	2	2	N144PP15006C	Screw with lock washer fastening supporting bracket to magnet frame
26	2	2	2	2	2	2	2	N144P16008C	Screw with lock washer fastening terminal block to supporting bracket
27	2	2	2	2	2	2	2	8650775P7	Connection strip for terminal block
28	4	4	4	4	4	4	4	91086422P15	Terminal clamp with screw and lock washer
30	2	2	2	2	2	2	2	8650770P6	Arcing horn
31	2	2	2	2	2	2	2	N144P16006C	Screw with lock washer fastening connection strip, shunt, and arcing horn to terminal block
32	2	-	-	-	-	-	-	3243199	Blowout coil
32	-	2	-	-	-	-	-	3243600	Blowout coil
32	-	-	2	-	-	-	-	3243601	Blowout coil
32	-	-	-	2	2	-	-	3243602	Blowout coil
33	-	-	-	-	-	2	2	9108314G1	Blowout coil and stationary contact tip support
34	-	-	-	-	-	2	2	9023690	Insulation tube for blowout coil
35	2	2	2	2	2	2	2	9043179P1	Insulation for blowout coil, left-hand
36	2	2	2	2	2	2	2	9043179P2	Insulation for blowout coil, right-hand
37	2	2	2	2	2	2	2	8650777P3	Pole piece, left-hand
38	2	2	2	2	2	2	2	8650777G1	Pole piece with core, right-hand
39	2	2	2	2	2	2	2	N57P15005B	Screw fastening pole piece and insulation to core
40	2	2	2	2	2	-	-	N144P15006C	Screw with lock washer fastening blowout coil lead to contact tip support
41	2	2	2	2	2	2	2	8650772P1	Arc chute
42	2	2	2	2	2	2	2	9043180P1	Insulation base
43	4	4	4	4	4	4	4	N144P16008C	Screw with lock washer fastening insulation base to magnet frame
44	2	2	2	2	2	2	2	8650775P6	Terminal support
46	2	2	2	2	2	2	2	N144P16008C	Screw with lock washer fastening blowout coil lead, terminal support and spacer to insulation base
47	2	2	2	2	2	2	2	9108642P15	Terminal clamp with screw and lock washer
48	2	2	2	2	2	-	-	8650775P4	Support for stationary contact tip
	-	-	-	-	-	-	-	8650777P8	Support for stationary contact tip
49	4	4	4	4	4	4	4	N144P16008C	Screw with lock washer fastening stationary contact tip to support
50	2	2	2	2	2	2	2	6973075G1	Stationary contact tip
51	2	2	2	2	2	2	2	9384190P1	Screw with lock washer fastening stationary contact tip to support
52	2	2	2	2	2	2	2	8650771P6	Clamp for arc chute
53	2	2	2	2	2	2	2	8650771P5	Supporting bracket for clamp
54	2	2	2	2	2	2	2	9693202P1	Wing screw fastening clamp to supporting bracket

INDUSTRY CONTROL DEPARTMENT

GENERAL  **ELECTRIC**

SALEM, VA.