



RENEWAL PARTS

GEF-3758C
Supersedes GEF-3758B

IC2800-1619 CONTACTORS

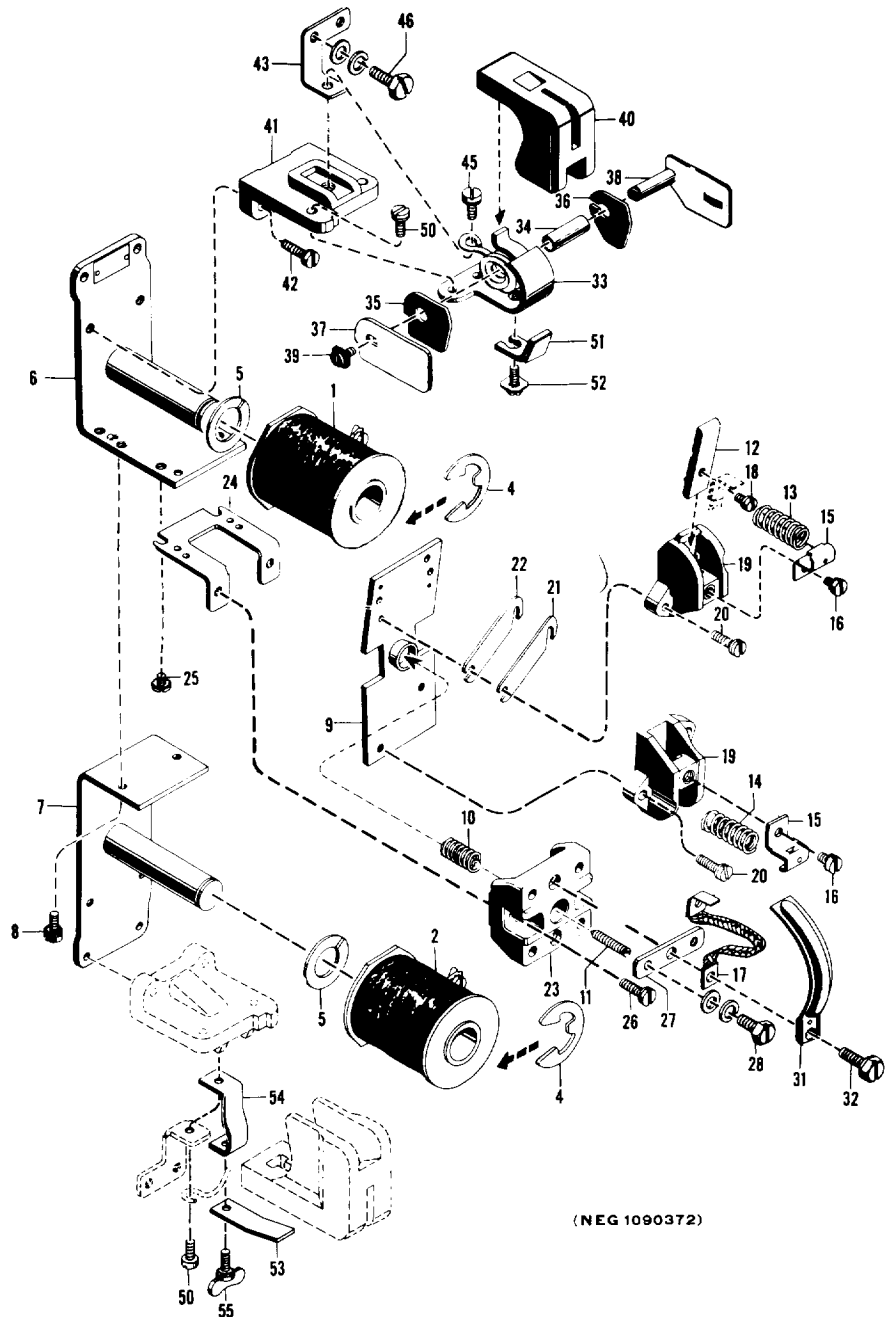
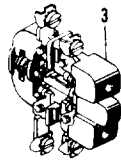
(Also CR2800-1619)

Forms D, E, F, L, P, and R

NOTE:—When ordering parts for a form of the contactor not covered by this bulletin, give reference number, description of part, complete nameplate reading, and above bulletin (GEF) number. *Do not use catalog number when form for which the parts are needed is not covered by the bulletin.*



IC2800-1619E contactor



(NEG 1090372)

When ordering renewal parts, give quantity, catalog number, description of each item required, and complete nameplate reading.

GENERAL  ELECTRIC

IC2800-1619 CONTACTORS
PARTS RECOMMENDED FOR NORMAL STOCK

Ref. No.	No. Req. for IC2800-1619-						Cat. No.	Description
	D	E	F	L	P	R		
1	1	1	1	1	1	1	-----	Operating coil (see table below)
2	-	1	-	1	-	-	-----	Holding coil (see table below)
	Δ	Δ	Δ	Δ	Δ	Δ	-----	Set of interlock contacts (see table on page 3)
12	2	2	2	2	2	2	8067076G1	Movable contact finger
51	2	2	2	2	2	2	6973075G1	Stationary contact tip
13	1	1	1	1	1	1	2418818	Compression spring for upper movable contact finger
14	1	1	1	1	1	1	2417929	Compression spring for lower movable contact finger
10	1	1	1	1	1	1	2418823	Compression spring for armature
17	2	2	2	2	2	2	9043584G1	Shunt for movable contact finger
40	2	2	2	1	2	2	8650867P1	Arc chute

Δ If interlock is used, a quantity of one set if required for each interlock.

Ref. No. 1 - OPERATING COILS - 1 Required

NOTE:- The operating coil is identified by the number following the form letter in the IC designation.

EXAMPLE:- IC2800-1619-D-2-3-B requires operating coil number 2, Cat. No. 22D154G2.

Coil Number	Catalog Number	Coil Number	Catalog Number	Coil Number	Catalog Number	Coil Number	Catalog Number
2	22D154G2	10	22D154G10	18	22D154G18	26	22D154G4
3	22D154G3	11	22D154G11	19	22D154G19	27	22D154G27
4	22D154G4	12	22D154G12	20	22D154G20	28	22D154G28
5	22D154G5	13	22D154G13	21	22D154G21	29	22D154G26
6	22D154G6	14	22D154G14	22	22D154G22	30	22D154G29
7	22D154G7	15	22D154G15	23	22D154G23	31	22D154G30
8	22D154G8	16	22D154G16	24	22D154G24	32	22D154G31
9	22D154G9	17	22D154G17	25	22D154G25		

Ref. No. 2 - HOLDING COILS - 1 Required

(For Forms E and L only)

NOTE:- The holding coil is identified by the number following the operating coil number in the IC designation.

EXAMPLE:- IC2800-1619-D-2-3-B requires holding coil number 3, Cat. No. 22D154G3.

Coil Number	Catalog Number	Coil Number	Catalog Number	Coil Number	Catalog Number	Coil Number	Catalog Number
2	22D154G2	10	22D154G10	18	22D154G18	26	22D154G4
3	22D154G3	11	22D154G11	19	22D154G19	27	22D154G27
4	22D154G4	12	22D154G12	20	22D154G20	28	22D154G28
5	22D154G5	13	22D154G13	21	22D154G21	29	22D154G26
6	22D154G6	14	22D154G14	22	22D154G22	30	22D154G29
7	22D154G7	15	22D154G15	23	22D154G23	31	22D154G30
8	22D154G8	16	22D154G16	24	22D154G24	32	22D154G31
9	22D154G9	17	22D154G17	25	22D154G25		

OPERATING AND HOLDING COILS - 1 of each Required
(For Forms E and L only)

NOTE: - The operating and holding coil is identified by the number following the form letter in the IC designation.

EXAMPLE: - IC2800-1619-D-202-B requires operating and holding coil number 202 Cat. No. 22D154G2 (operating coil); Cat. No. 22D154G2 (holding coil).

Coil No.	Operating Coil	Holding Coil	Coil No.	Operating Coil	Holding Coil	Coil No.	Operating Coil	Holding Coil
	Ref. No. 1	Ref. No. 2		Ref. No. 1	Ref. No. 2		Ref. No. 1	Ref. No. 2
	Cat. No.	Cat. No.		Cat. No.	Cat. No.		Cat. No.	Cat. No.
202	22D154G2	22D154G2	205	22D154G5	22D154G5	208	22D154G3	22D154G2
203	22D154G3	22D154G3	206	22D154G22	22D154G21	209	22D154G16	22D154G2
204	22D154G4	22D154G4	207	22D154G16	22D154G16	210	22D154G6	22D154G6

IC2800-1619 CONTACTORS

GEF-3758C

ELECTRICAL INTERLOCKS

NOTE:- The interlock is identified by the letter and number following the coil number in the IC designation.

EXAMPLES:- IC2800-1619-D-2-3-B requires interlock letter B, Cat. No. IC2956A200G.

IC2800-1619-D-2-3-X1 requires interlock letter and number X1, Cat. No. 6927495G5.

Interlock Letter	Ref. No. 3 Interlock Switch Unit		§Set of Interlock Contacts	Interlock Mounting Kit
	Right-hand	Left-hand		
	Cat. No.	Cat. No.	Cat. No.	Cat. No.
B	-----	IC2956A200G	6960053G2	IC2956A202C
C	IC2956A200G	-----	6960053G2	IC2956A202D
D	-----	IC2956A200H	6960053G2	IC2956A202C
E	IC2956A200H	-----	6960053G2	IC2956A202D
F	-----	IC2956A200A	6960053G3	IC2956A202C
G	IC2956A200A	-----	6960053G3	IC2956A202D
H	-----	IC2956A200C	6960053G3	IC2956A202C
J	IC2956A200C	-----	6960053G3	IC2956A202D
K	-----	IC2956A200B	6960053G3	IC2956A202C
L	IC2956A200B	-----	6960053G3	IC2956A202D
AB	-----	IC2956A200AD	6960053G23	IC2956A202C
AC	IC2956A200AD	-----	6960053G23	IC2956A202D
AD	-----	IC2956A200AE	6960053G23	IC2956A202C
AE	IC2956A200AE	-----	6960053G23	IC2956A202D
AF	-----	IC2956A200AA	6960053G22	IC2956A202C
AG	IC2956A200AA	-----	6960053G22	IC2956A202D
AH	-----	IC2956A200AC	6960053G22	IC2956A202C
AJ	IC2956A200AC	-----	6960053G22	IC2956A202D
AK	-----	IC2956A200AB	6960053G22	IC2956A202C
AL	IC2956A200AB	-----	6960053G22	IC2956A202D
DB	-----	IC2956A205D	6960053G25	IC2956A202C
DC	IC2956A205D	-----	6960053G25	IC2956A202D
DD	-----	IC2956A205E	6960053G25	IC2956A202C
DE	IC2956A205E	-----	6960053G25	IC2956A202D
DF	-----	IC2956A205A	6960053G24	IC2956A202C
DG	IC2956A205A	-----	6960053G24	IC2956A202D
DH	-----	IC2956A205C	6960053G24	IC2956A202C
DJ	IC2956A205C	-----	6960053G24	IC2956A202D
DK	-----	IC2956A205B	6960053G24	IC2956A202C
DL	IC2956A205B	-----	6960053G24	IC2956A202D

Interlock Number	Ref. No. 3 Interlock Switch Unit		§Set of Interlock Contacts	Interlock Number	Ref. No. 3 Interlock Switch Unit		§Set of Interlock Contacts
	Right-hand	Left-hand			Right-hand	Left-hand	
	Cat. No.	Cat. No.	Cat. No.		Cat. No.	Cat. No.	Cat. No.
X1	-----	6927495G5	6960046G56	X7	-----	6927495G3	6960046G55
X3	-----	6927495G4	6960046G56	X9	-----	6927495G1	6960046G55
X5	-----	6927495G2	6960046G55				

§ Includes movable and stationary contacts with springs and contact-holding screws.

COMPLETE LIST OF PARTS

Ref. No.	No. Req. for IC2800-1619-						Cat. No.	Description
	D	E	F	L	P	R		
4	1	2	1	2	1	1	N910P87B6	Retainer for operating coil or holding coil
5	1	2	1	2	1	1	8626009P6	Lock washer for operating coil or holding coil
6	1	1	1	1	1	1	8650866G1	Magnet frame with core, upper
7	1	1	1	1	1	1	8650871G1	Magnet frame with core, lower
8	2	2	2	2	2	2	N144P16006C	Screw with lock washer fastening lower magnet frame to upper magnet frame
9	1	1	1	1	1	1	8650869G2	Armature with spring seat and stop
10	1	1	1	1	1	1	2418823	Compression spring for armature
11	1	1	1	1	1	1	9023691	Adjusting screw for compression spring
12	2	2	2	2	2	2	8067076G1	Movable contact finger
13	1	1	1	1	1	1	2418818	Compression spring for upper movable contact finger
14	1	1	1	1	1	1	2417929	Compression spring for lower movable contact finger

IC2800-1619 CONTACTORS

Ref. No.	No. Req. for IC2800-1619-						Cat. No.	Description
	D	E	F	L	P	R		
15	2	2	2	2	2	2	8650870P3	Support for compression spring
16	2	2	2	2	2	2	N144P16004C	Screw with lock washer fastening spring support to molded support
17	2	2	2	2	2	2	9043584G1	Shunt for movable contact finger
18	2	2	2	2	2	2	9693201P1	Screw with lock washer fastening shunt to movable contact finger
19	2	2	2	2	2	2	8650873P1	Molded support for movable contact finger
20	4	4	4	4	4	4	N144P16010C	Screw with lock washer fastening molded support to armature
21	§	§	§	§	§	§	9644199P1	Shim between molded support and armature (0.062 in. thick)
22	§	§	§	§	§	§	9644199P2	Shim between molded support and armature (0.062 in. thick)
23	1	1	1	1	1	1	9043480G1	Terminal block
24	2	2	2	2	2	2	8650868P8	Supporting bracket for terminal block
25	2	2	2	2	2	2	N144P16006C	Screw with lock washer fastening supporting bracket to magnet frame
26	2	2	2	2	2	2	N144P16012C	Screw with lock washer fastening terminal block to supporting bracket
27	2	2	2	2	2	2	8650871P4	Connection strip for terminal block
28	2	2	2	2	2	2	N144P23010B	Screw with lock washer fastening connection strip to terminal block
31	2	2	2	1	2	2	8650869G1	Arcing horn
32	2	2	2	2	2	2	N144P21010	Screw with lock washer fastening connection strip, shunt and arcing horn to terminal block
33	2	-	-	-	-	-	9043373G2	Blowout coil and stationary contact tip support
33	-	2	2	1	-	-	9043373G1	Blowout coil and stationary contact tip support
	-	-	-	-	2	-	3243604	Blowout coil
	-	-	-	-	-	2	3247664	Blowout coil
	-	-	-	-	2	2	8650868P1	Stationary contact tip support
34	2	2	2	1	-	-	9023914	Insulation tube for blowout coil
35	2	2	2	1	2	2	9043375P1	Insulation for blowout coil, left-hand
36	2	2	2	1	2	2	9043375P2	Insulation for blowout coil, right-hand
37	2	2	2	1	2	2	8650868P4	Pole piece, left-hand
38	2	2	2	1	2	2	8650868G1	Pole piece, right-hand
39	2	2	2	1	2	2	N57P15005B	Screw fastening pole piece and insulation to core (8-32, 5/16 in., pan hd., pro. fin.)
40	2	2	2	1	2	2	8650867P1	Arc chute
41	2	2	2	2	2	2	9043374P1	Insulation base
42	4	4	4	4	4	4	N144P16010C	Screw with lock washer fastening insulation base to magnet frame
43	2	2	2	1	2	2	8650872P7	Terminal support
45	2	2	2	1	2	2	N144P16008C	Screw with lock washer fastening blowout coil lead and terminal support to base
46	2	2	2	2	2	2	N144P23010B	Screw with lock washer for terminal support or stationary contact tip support
	-	-	-	1	-	-	8650870P2	Support for stationary contact tip
50	4	4	4	4	4	4	N144P16010C	Screw with lock washer fastening stationary contact tip to support
51	2	2	2	2	2	2	6973075G1	Stationary contact tip
52	2	2	2	2	2	2	9384190P1	Screw with lock washer fastening stationary contact tip to support
53	2	2	2	1	2	2	8650870P6	Clamp for arc chute
54	2	2	2	1	2	2	8650870P5	Supporting bracket for clamp
55	2	2	2	1	2	2	9693202P1	Wing screw fastening clamp to supporting bracket

GENERAL ELECTRIC COMPANY
INDUSTRIAL CONTROL PRODUCTS DEPARTMENT
SALEM, VA. 24153

