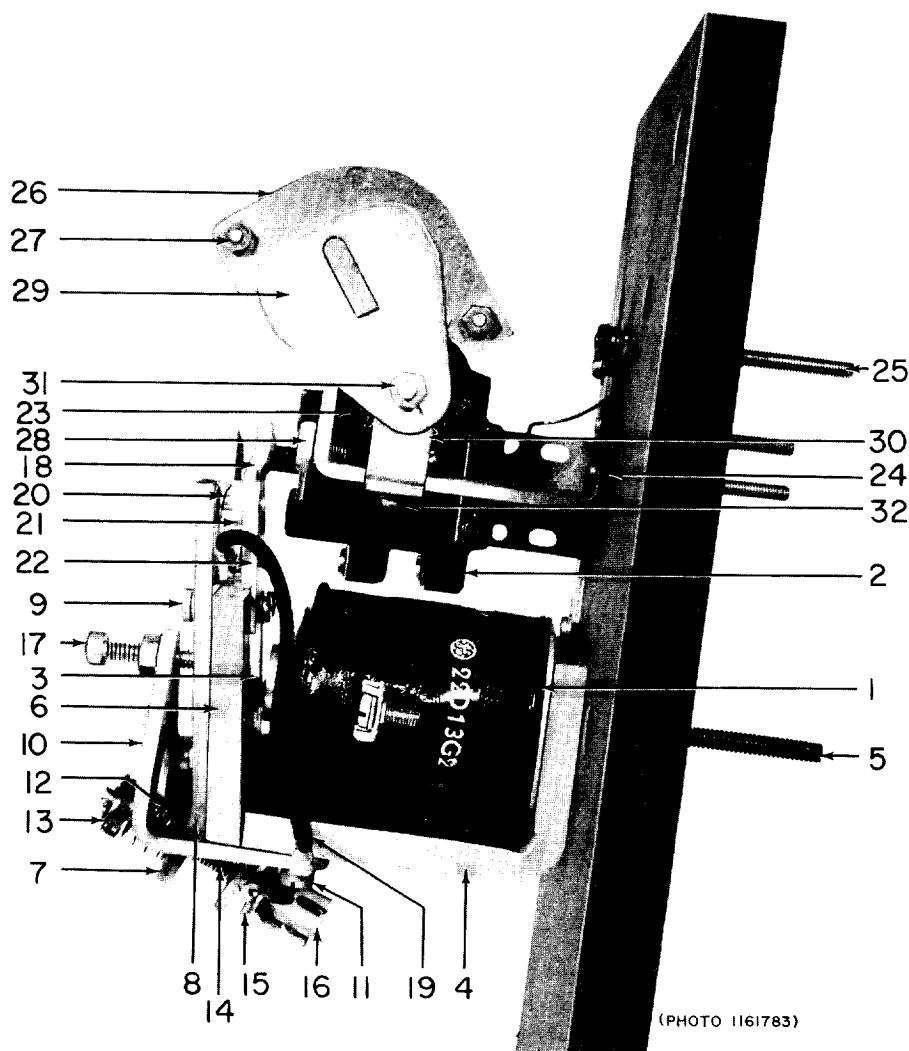


# RENEWAL PARTS

## IC2800-A310 CONTACTORS

Forms A, B, and C

**NOTE:**—When ordering parts for a form of the contactor not covered by this bulletin, give reference number, description of part, complete nameplate reading, and above bulletin (GEF) number. *Do not use catalog number when form for which the parts are needed is not covered by the bulletin.*



IC2800-A310-A contactor

When ordering renewal parts, give quantity, catalog number, description of each item required, and complete nameplate reading.

GENERAL  ELECTRIC

**IC2800-A310 CONTACTORS**

**PARTS RECOMMENDED FOR NORMAL STOCK**

Ref. No.	Number Required for IC2800-A310-			Catalog Number	Description
	A	B	C		
1	1	1	1	-----	Operating coil (see table below)
	Δ	Δ	Δ	-----	Set of interlock contacts (see table below)
18	1	1	1	2840261G1	Movable contact finger
28	1	1	1	2840261G7	Stationary contact
19	1	1	1	2840254G35	Shunt for movable contact finger
12	1	1	1	235184	Compression spring for armature
20	1	1	1	2412681	Compression spring for movable contact finger
26	1	1	1	2433823	Arc chute side, right-hand
	1	1	1	2433822	Arc chute side, left-hand

Δ If interlock is used, a quantity of one set is required for each interlock.

Ref. No. 1 - OPERATING COILS - 1 Required

NOTE:- The operating coil is identified by the number following the form letter in the IC designation.

EXAMPLE:- IC2800-A310-A-2-B requires operating coil number 2, Cat. No. 22D11G25.

Coil No.	Catalog Number	Coil No.	Catalog Number	Coil No.	Catalog Number	Coil No.	Catalog Number	Coil No.	Catalog Number
2	22D11G25	29	22D11G26	50	22D11G76	210	22D13G3	242	Δ9348300G8
3	22D11G26	30	22D11G46	51	22D11G96	211	22D13G8	243	Δ9348300G9
4	22D11G49	31	22D11G45	52	22D11G100	212	22D13G42	244	Δ9348300G17
5	22D11G50	32	22D11G29	53	22D11G77	213	22D42G3	245	Δ9348300G15
6	22D11G61	33	22D11G59	54	Δ2693247P2	214	22D13G7	246	Δ9348300G21
7	22D11G75	34	22D11G55	55	Δ2693247P1	215	22D13G19	249	Δ9348300G5
8	22D11G67	35	22D11G71	61	Δ2693247P2	216	22D13G13	250	Δ9348300G4
9	22D11G44	36	22D11G70	62	Δ2693247P13	217	22D13G13	251	Δ9348300G11
10	22D11G59	37	22D11G86	63	Δ2693247P7	218	22D13G50	252	Δ9348300G8
11	22D11G29	38	22D11G27	64	Δ5196302G11	229	22D13G38	253	Δ9348300G9
12	22D11G136	39	22D11G67	67	Δ2693247P2	230	22D13G32	254	Δ9348300G19
13	22D11G45	40	22D11G68	68	Δ2693247P7	231	22D13G10	255	Δ9348300G20
14	22D11G46	41	22D11G64	69	Δ5196302G2	232	22D13G78	256	Δ9348300G26
15	22D11G128	42	22D11G75	202	22D13G2	233	22D13G79	260	22D11G204
16	22D11G69	43	22D11G88	203	22D13G4	234	22D13G80	261	3323116
17	22D11G47	44	22D11G95	204	22D13G13	235	22D13G11	262	3241960
18	22D11G60	45	22D11G61	205	22D13G13	236	22D13G81	263	3241953
19	22D11G48	46	22D11G57	206	22D13G32	239	Δ9348300G5	264	22D11G99
20	22D11G168	47	22D11G58	207	22D13G39	240	Δ9348300G4	265	3021083
21	22D11G62	48	22D11G110	208	22D13G5	241	Δ9348300G11	266	3243144
22	22D11G63	49	22D11G74	209	22D13G38				

Δ Edgewise wound copper.

Ref. No. 2 - ELECTRICAL INTERLOCKS - 1 Required

NOTE:- The interlock is identified by the letter following the coil number in the IC designation.

EXAMPLE:- IC2800-A310-A-2-B requires interlock letter B, Cat. No. IC2956A103B.

Interlock Letter	Interlock with Mounting Parts and Operating Arm	Interlock Switch Unit	§Set of Interlock Contacts
	Cat. No.	Cat. No.	Cat. No.
B	IC2956A103B	†IC2956A200C	6960053G3
C	IC2956A103C	†IC2956A200B	6960053G3
D	IC2956A103D	†IC2956A200A	6960053G3

§ Includes movable and stationary contacts with springs and contact holding screws.  
 † Switch unit for left-hand interlock.

# IC2800-A310 CONTACTORS

GEF-4098

## Ref. No. 2 - ELECTRICAL INTERLOCKS - 1 Required (Cont'd)

Interlock Letter	Interlock with Mounting Parts and Operating Arm	Interlock Switch Unit	§Set of Interlock Contacts
	Cat. No.	Cat. No.	Cat. No.
E	IC2956A103E	¶IC2956A200C ‡IC2956A200C	6960053G3 6960053G3
F	IC2956A103F	¶IC2956A200B ‡IC2956A200C	6960053G3 6960053G3
G	IC2956A103G	¶IC2956A200B ‡IC2956A200B	6960053G3 6960053G3
H	IC2956A103H	¶IC2956A200B ‡IC2956A200A	6960053G3 6960053G3
J	IC2956A103J	¶IC2956A200A ‡IC2956A200A	6960053G3 6960053G3

§ Includes movable and stationary contacts with springs and contact holding screws.

¶ Switch unit for right-hand interlock.

‡ Switch unit for left-hand interlock.

## Ref. No. 3 - SHIMS FOR ARMATURE - 1 Required

NOTE:- The shim is identified by the letter following the form letter in the IC designation.

EXAMPLE:- IC2800-A310-A-B-2-C requires shim letter B, Cat. No. 2450533.

Shim Letter	Shim Cat. No.	Shim Letter	Shim Cat. No.
A	Δ	F	8616834
B	2450533	R	8047765
C	5155942	X	2439592
D	5354689	Y	‡8047765
E	2451597		

Δ When specific time is required or special shim having no suffix letter is desired, specify shim Cat. No. and/or time setting required.

‡ 2 required.

## COMPLETE LIST OF PARTS

Ref. No.	Number Required for IC2800-A310-			Catalog Number	Description
	A	B	C		
	1	1	1	1445721	Retaining washer for operating coil
	2	2	2	2465887	Connection stud for operating coil, for 3/4 in., 1 in., or 1 1/2 in. base (10-32)
	2	2	2	2465888	Connection stud for operating coil, for 2 in. base (10-32)
4	1	1	1	2810489G1	Magnet frame with core
5	1	1	1	2464505	Stud for magnet frame, for 3/4 in., 1 in., or 1 1/2 in. base (1/4 in. -20)
5	1	1	1	2466224	Stud for magnet frame, for 2 in. base (1/4 in. -20)
6	1	1	1	9098152	Armature
7	1	1	1	1459971	Support for armature
8	1	1	1	2453389	Guide strip between armature and support
9	2	2	2	N144P16010C	Screw with lock washer fastening armature and guide strip to support (10-32, 5/8 in. pan hd., pro. fin.)
10	1	1	1	9034493	Bracket for armature support
11	2	2	2	N144P16010C	Screw with lock washer fastening bracket to magnet frame (10-32, 5/8 in. pan hd., pro. fin.)
12	1	1	1	235184	Compression spring for armature
13	1	1	1	437972P1	Spring seat for compression spring
14	1	1	1	2429336	Adjusting screw for compression spring
15	1	1	1	6955638	Bearing washer
16	1	1	1	9196760P1	Nut for adjusting screw

**IC2800-A310 CONTACTORS**

**COMPLETE LIST OF PARTS (CONT'D)**

Ref. No.	Number Required for IC2800-A310-			Catalog Number	Description
	A	B	C		
17	1	1	1	N26P21016B	Stop screw for armature (1/4 in. -20, 1 in. hex. hd. slot, pro. fin.)
18	1	1	1	2840261G1	Movable contact finger
19	1	1	1	2840254G35	Shunt for movable contact finger
	1	1	1	N75P15006	Screw fastening shunt to contact finger (8-32, 3/8 in. pan hd., brass)
20	1	1	1	2412681	Compression spring for movable contact finger
21	1	1	1	1450952	Spring seat for compression spring
22	1	1	1	3667540G1	Support for movable contact finger, with retaining pin for compression spring
	2	2	2	N75P15006	Screw fastening support for movable contact finger to armature (8-32, 3/8 in. pan hd., brass)
23	1	-	-	3020201	Blowout coil
23	-	1	-	3020281	Blowout coil
	-	-	1	4900786G5	Blowout coil with supporting bracket and studs
24	1	1	-	10X671	Supporting bracket with studs, for blowout coil
25	1	1	1	2465887	Connection stud for blowout coil lead, for 3/4 in., 1 in., or 1 1/2 in. base (10-32)
25	1	1	1	2465888	Connection stud for blowout coil lead, for 2 in. base (10-32)
	1	1	1	2466219	Magnet core for blowout coil
	-	-	1	1427752	Insulation sleeve for magnet core
	-	-	1	2230289P1	Insulation flange for blowout coil
	1	1	1	4900786G7	Arc chute, complete
26	1	1	1	2433823	Arc chute side, right-hand
	1	1	1	2433822	Arc chute side, left-hand
27	2	2	2	N57P13024B	Screw fastening arc chute sides together (6-32, 1 1/2 in. pan hd., pro. fin.)
28	1	1	1	2840261G7	Stationary contact
29	2	2	2	2448817	Pole piece
30	1	1	1	2455564	Support for pole piece and arc chute
31	1	1	1	N57P16028B	Screw fastening support and pole piece to magnet core (10-32, 1 3/4 in. pan hd., pro. fin.)
32	2	2	2	N144P15006C	Screw and lock washer fastening support to supporting bracket (8-32, 3/8 in. pan hd., pro. fin.)

**NUTS**

**LOCK WASHERS**

**PLAIN WASHERS**

Catalog Number	Description	Catalog Number	Description	Catalog Number	Description
N210P13B	6-32, hex. std.	N405P37B	For No. 6 screw	N402P7B	For No. 6 screw
N210P16B	10-32, hex. std.	N405P38B	For No. 8 screw	N402P8B	For No. 8 screw
N203P21B	1/4 in. -20, hex. std.	N405P39B	For No. 10 screw	N402P9B	For No. 10 screw
		N405P41B	For 1/4 in. screw	N402P11B	For 1/4 in. screw

**COTTER PIN**

Catalog Number	Description
N503P708B	5/64 in. by 1/2 in.

INDUSTRY CONTROL DEPARTMENT



ROANOKE, VA.