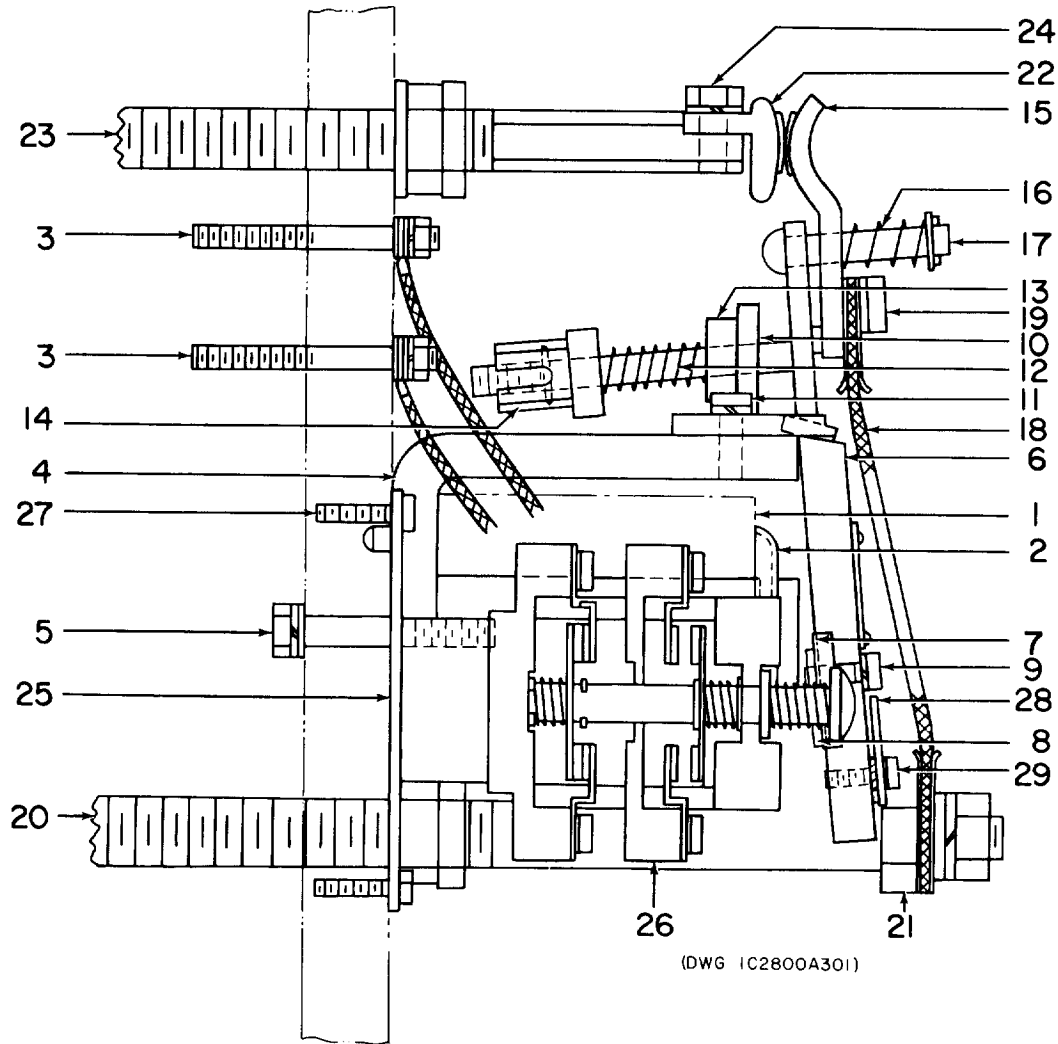


RENEWAL PARTS



IC2800-A301A CONTACTOR

NOTE:—When ordering parts for a form of the contactor not covered by this bulletin, give reference number, description of part, complete nameplate reading, and above bulletin (GEF) number. *Do not use catalog number when form for which the parts are needed is not covered by the bulletin.*



IC2800-A301A contactor

When ordering renewal parts, give quantity, catalog number, description of each item required, and complete nameplate reading.



IC2800-A301A CONTACTOR**PARTS RECOMMENDED FOR NORMAL STOCK**

Ref. No.	Catalog Number	No. Required	Description
1	----- 6960053G3	1 1	Operating coil (see table below) Set of interlock movable and stationary contacts with springs and contact-holding screws
15	2890181G1	1	Movable contact finger
22	287A160G2	1	Stationary contact
16	189703	1	Compression spring for movable contact finger
12	2414197	1	Compression spring for armature
18	4953007G1	1	Shunt for movable contact finger

Ref. No. 1 - OPERATING COILS - 1 Required

NOTE:- The operating coil is identified by the number following the form letter in the IC designation.

EXAMPLE:- IC2800-A301-A-2 requires coil No. 2, Cat. No. 22D42G12.

Coil No.	Catalog Number	Coil No.	Catalog Number
2	†22D42G12	4	†22D42G7
3	†22D42G6	5	†22D42G8

† Requires copper jacket Cat. No. 4953090G2.

COMPLETE LIST OF PARTS

Ref. No.	Catalog Number	No. Required	Description
2	1447716	1	Retaining washer for operating coil
3	N89P21080B	2	Connection stud for operating coil, for 3/4 in. to 1 1/2 in. base (10-32)
3	N89P21088B	2	Connection stud for operating coil, for 2 in. base (10-32)
4	2810489G3	1	Magnet frame with core
5	N26P21024B	1	Screw fastening magnet core to 3/4 in. base (1/4 in. -20, 1 1/2 in. hex. hd. slot, pro. fin.)
5	N26P21028B	1	Screw fastening magnet core to 1 in. base (1/4 in. -20, 1 3/4 in. hex. hd. slot, pro. fin.)
5	N26P21032B	1	Screw fastening magnet core to 1 1/2 in. base (1/4 in. -20, 2 in. hex. hd. slot, pro. fin.)
5	N26P21040B	1	Screw fastening magnet core to 2 in. base (1/4 in. -20, 2 1/2 in. hex. hd. slot, pro. fin.)
6	5183777G3	1	Armature with guide pin for spring
7	8627295	1	Shim for armature
8	8058795	1	Shim clamp
9	N75P15010	2	Screw fastening shim and clamp to armature (8-32, 5/8 in. pan hd. brass)
10	4951555	1	Guide for armature
11	N144P16008C	2	Screw with lock washer fastening guide to magnet frame
12	2414197	1	Compression spring for armature
13	437972P1	2	Spring seat for compression spring
14	9196760	1	Lock nut for guide pin
15	2890181G1	1	Movable contact finger
16	189703	1	Compression spring for movable contact finger
17	2496756	1	Guide pin for compression spring
18	4953007G1	1	Shunt for movable contact finger
19	N144P21006C	1	Screw with lock washer fastening shunt to movable contact finger
20	2496752	1	Connection stud for shunt, for 3/4 in. to 1 in. base (1/2 in. -13)
20	2496753	1	Connection stud for shunt, for 1 1/2 in. base (1/2 in. -13)
20	5388879	1	Connection stud for shunt, for 2 in. base (1/2 in. -13)

IC2800-A301A CONTACTOR

GEF-4108

Ref. No.	Catalog Number	No. Re-quired	Description
21	2496754	1	Stop for armature
22	287A160G2	1	Stationary contact
23	2496750	1	Connection stud for stationary contact, for 3/4 in. to 1 1/2 in. base (1/2 in. -13)
23	2496751	1	Connection stud for stationary contact, for 2 in. base (1/2 in. -13)
24	N26P21008B	1	Screw fastening stationary contact to connection stud (1/4 in. -20, 1/2 in. hex. hd. slot, pro. fin.)
25	723B245G6	1	Interlock with mounting bracket
26	IC2956A200C	1	Interlock switch unit
	6960053G3	1	Set of movable and stationary contacts with springs and contact-holding screws
27	576A144P6	2	Screw fastening interlock to base
28	575A557	1	Operating arm for interlock
29	N75P15010	1	Screw fastening operating arm to armature (8-32, 5/8 in. pan hd. brass)

Catalog Number	Description	Catalog Number	Description
NUTS		LOCK WASHERS	
N210P16B	10-32, hex. std	N405P38B	For No. 8 screw
N203P25B	3/8 in. -16, hex. std	N405P39B	For No. 10 screw
N203P29B	1/2 in. -13, hex. std	N405P41B	For 1/4 in. screw
N232P29C	1/2 in. -13, pal nut	N405P43B	For 3/8 in. screw
COTTER PINS		PLAIN WASHERS	
N503P608B	1/16 in. by 1/2 in.	N402P9B	For No. 10 screw
N503P712B	5/64 in. by 3/4 in.	N402P11B	For 1/4 in. screw
		N402P13B	For 3/8 in. screw
		N402P15B	For 1/2 in. screw

**GENERAL ELECTRIC COMPANY
INDUSTRIAL CONTROL PRODUCTS DEPARTMENT
SALEM, VA. 24153**

GENERAL  ELECTRIC