

# RENEWAL PARTS

## IC2800-Y100 CONTACTORS

Forms A, B, D, E, F, R, Y, AD, AE, and AF



**NOTE:**—When ordering parts for a form of the contactor not covered by this bulletin, give reference number, description of part, complete nameplate reading, and above bulletin (GEF) number. Do not use catalog number when form for which the parts are needed is not covered by the bulletin.

### PARTS RECOMMENDED FOR NORMAL STOCK

Fig. No.	Ref. No.	Number Required for IC2800-Y100										Catalog Number	Description
		A	B	D	E	F	R	Y	AD	AE	AF		
1	1	1	1	1	1	1	1	1	1	1	1	-----	Operating coil (see table below)
	Δ	Δ	Δ	Δ	Δ	Δ	Δ	Δ	Δ	Δ	Δ	-----	Set of interlock contacts (see table page 2)
1	21	1	1	1	1	1	1	1	1	1	1	5354901	Movable contact
1	21	-	-	-	-	-	-	-	-	-	1	5904068G1	Movable contact
2	26	1	1	1	1	1	1	1	1	-	1	5352149P1	Stationary contact
2	26	-	-	-	-	-	-	-	-	-	1	5306170G1	Stationary contact
1	24	1	1	1	1	1	1	1	1	1	1	147A6193P1	Compression spring for movable contact
1	22	1	1	1	1	1	1	1	1	1	1	5304778G1	Shunt for movable contact
2	35	1	-	1	-	1	-	1	-	1	1	5195148	Arc chute side, right-hand
2	36	1	-	1	-	1	-	1	-	1	1	5195149	Arc chute side, left-hand

Δ If interlock is used, a quantity of one set is required for each interlock switch unit.

### OPERATING COILS, PICK-UP RESISTORS, RECTIFIERS AND AUXILIARY CONTACTORS FOR IC2800-Y100 CONTACTORS

**NOTE:** The number following the form letters in the IC designation identifies the operating coils, pick-up resistors, rectifiers and auxiliary contactors. Each must be ordered separately from the table below.

**EXAMPLE:** IC2800-Y100A14 requires coil No. 14, Cat. No. 22D85G214A, pick-up resistor A50E250DA-TH, rectifier IC3500A403B3, and auxiliary contactor CR2810A14AC4.

Coil No.	Coil Catalog No.	No. Req'd	Pick-up Resistor	No. Req'd	Rectifier	No. Req'd	†Auxiliary Contactor	No. Req'd
2	22D85G201A	1	-----	-	-----	-	-----	-
2	22D85G201A	1	A50E1500DA/X103AE	1	6RS22PD12AHD1	2	CR2810A14AC4	1
2	22D85G201A	1	A50E2700DA/X103AE	1	6RS22PD12AHD1	2	CR2810A14AC5	1
2	22D85G201A	1	A50E3300DA/X103AE	1	6RS22PD12AHD1	2	CR2810A14AC6	1
3	22D85G202A	1	-----	-	-----	-	-----	-
3	22D85G202A	1	A50E375DA/X103AE	1	6RS22PB6AHD1	1	CR2810A14AC3	1
3	22D85G202A	1	A50E400DA-TH	1	IC3500A403B1	1	CR2810A14AC3	1
4	22D85G203A	1	-----	-	-----	-	-----	-
4	22D85G203A	1	A50E100DA/X103AE	1	6RS22PB3AHD1	1	CR2810A14AC2	1
4	22D85G203A	1	A50E100DA-TH	1	IC3500A403B1	1	CR2810A14AC2	1

† For auxiliary contactor parts refer to GEF-4210.

When ordering renewal parts, give quantity, catalog number, description of each item required, and complete nameplate reading.



**IC2800-Y100 CONTACTORS**

Coil No.	Coil Catalog No.	No. Req'd	Pick-up Resistor	No. Req'd	Rectifier	No. Req'd	Auxiliary Contactor	No. Req'd
5	22D85G204A	1	-----	-	-----	-	-----	-
5	22D85G204A	1	A50E500DA-TH	1	IC3500A403B3	1	*CR2810A14AC5 CR2810A14AC6	1
6	22D85G205A	1	-----	-	-----	-	-----	-
7	22D85G206A	1	-----	-	-----	-	-----	-
8	22D85G207A	1	-----	-	-----	-	-----	-
9	22D85G208A	1	-----	-	-----	-	-----	-
10	22D85G211A	1	-----	-	-----	-	-----	-
11	22D85G210A	1	-----	-	-----	-	-----	-
12	22D85G212A	1	-----	-	-----	-	-----	-
13	22D85G213A	1	-----	-	-----	-	-----	-
14	22D85G214A	1	-----	-	-----	-	-----	-
14	22D85G214A	1	A50E250DA-TH	1	IC3500A403B3	1	CR2810A14AC4	1
15	22D85G215A	1	-----	-	-----	-	-----	-
16	22D85G217A	1	-----	-	-----	-	-----	-
17	22D85G214A	1	-----	-	-----	-	-----	-
18	22D85G218A	1	-----	-	-----	-	-----	-
19	22D85G1	1	-----	-	-----	-	-----	-
20	22D85G220A	1	-----	-	-----	-	-----	-
21	22D85G221A	1	-----	-	-----	-	-----	-
22	22D85G222A	1	-----	-	-----	-	-----	-
50	22D85G301	1	-----	-	-----	-	-----	-
51	22D85G302	1	-----	-	-----	-	-----	-
52	22D85G303	1	-----	-	-----	-	-----	-
53	22D85G201A	1	-----	-	-----	-	-----	-
54	22D85G224A	1	-----	-	-----	-	-----	-
55	22D85G225A	1	-----	-	-----	-	-----	-
56	22D85G18	1	-----	-	-----	-	-----	-
57	22D85G226A	1	-----	-	-----	-	-----	-

† For auxiliary contactor parts refer to GEF-4210.

\* For 600-volt application.

**ELECTRICAL INTERLOCKS**

NOTE: The interlock is identified by the letter following the coil number in the IC designation.

EXAMPLE: IC2800-Y100-A-2-B requires interlock letter B, Cat. No. IC2956A200C.

Interlock Letter	Interlock Switch Unit		* Set of Interlock Contacts	Interlock Mounting Kit
	Left-hand	Right-hand		
	Cat. No.	Cat. No.		
B	IC2956A200C	-----	6960053G3	IC2956A203A
C	IC2956A200A	-----	6960053G3	IC2956A203A
D	IC2956A200B	-----	6960053G3	IC2956A203A
E	-----	IC2956A200C	6960053G3	IC2956A203B
F	-----	IC2956A200A	6960053G3	IC2956A203B
G	-----	IC2956A200B	6960053G3	IC2956A203B
H	IC2956A200A	IC2956A200A	†6960053G3	†IC2956A203A
J	IC2956A200B	IC2956A200B	†6960053G3	†IC2956A203A
K	IC2956A200A	IC2956A200B	†6960053G3	†IC2956A203A
L	IC2956A200A	IC2956A200C	†6960053G3	†IC2956A203A
M	IC2956A200C	IC2956A200B	†6960053G3	†IC2956A203A
N	-----	IC2956A200A	6960053G3	IC2956A203B
P	-----	IC2956A200C	6960053G3	IC2956A203G

\* Includes movable and stationary contacts with springs and contact holding screws

† Left side

‡ Right side

## IC2800-Y100 CONTACTORS

GEF-4120

### ELECTRICAL INTERLOCKS (CONT'D)

Interlock Letter	Interlock Switch Unit		* Set of Interlock Contacts	Interlock Mounting Kit
	Left-hand	Right-hand		
	Cat. No.	Cat. No.		
R	-----	IC2956A200A	6960053G3	IC2956A203G
S	IC2956A200A	IC2956A200B	†6960053G3 ‡6960053G3	†IC2956A203G ‡IC2956A203G
T	IC2956A200C	IC2956A200C	†6960053G3 ‡6960053G3	†IC2956A203H ‡IC2956A203H
U	IC2956A200A	IC2956A200A	†6960053G3 ‡6960053G3	†IC2956A203A ‡IC2956A203A
V	IC2956A200B	IC2956A200B	†6960053G3 ‡6960053G3	†IC2956A203H ‡IC2956A203H
W	IC2956A200A	IC2956A200A	†6960053G3 ‡6960053G3	†IC2956A203G ‡IC2956A203H
Y	IC2956A200B	IC2956A200B	†6960053G3 ‡6960053G3	†IC2956A203G ‡IC2956A203H
AB	IC2956A200AC	-----	6960053G22	IC2956A203A
AC	IC2956A200AA	-----	6960053G22	IC2956A203A
AD	IC2956A200AB	-----	6960053G22	IC2956A203A
AE	-----	IC2956A200AC	6960053G22	IC2956A203B
AF	-----	IC2956A200AA	6960053G22	IC2956A203B
AG	-----	IC2956A200AB	6960053G22	IC2956A203B
AH	IC2956A200AC	-----	6960053G22	IC2956A203G
AJ	IC2956A200AA	-----	6960053G22	IC2956A203G
AK	IC2956A200AB	IC2956A200AC	†6960053G22 ‡6960053G22	IC2956A203G
AL	-----	IC2956A200AC	6960053G22	IC2956A203H
AM	-----	IC2956A200AA	6960053G22	IC2956A203H
AN	-----	IC2956A200AB	6960053G22	IC2956A203H
BA	IC2956A200A	IC2956A200B	6960053G22	†IC2956A203G ‡IC2956A203H
BB	IC2956A200A	IC2956A200C	†6960053G3 ‡6960053G22	†IC2956A203G ‡IC2956A203H
BC	IC2956A200C	IC2956A200B	†6960053G3 ‡6960053G22	†IC2956A203G ‡IC2956A203H
BD	IC2956A200C	IC2956A200A	†6960053G3 ‡6960053G22	†IC2956A203G ‡IC2956A203H
BE	IC2956A200AJ	-----	6960053G22	IC2956A203A
BF	-----	IC2956A200AJ	6960053G22	IC2956A203B
BG	-----	IC2956A200AH	6960053G3	IC2956A203B
BH	-----	IC2956A200AK	6960053G3	IC2956A203B
CB	IC2956A205C	-----	6960053G46	IC2956A203A
CC	IC2956A205A	-----	6960053G46	IC2956A203A
CD	IC2956A205B	-----	6960053G46	IC2956A203A
CE	-----	IC2956A205C	6960053G46	IC2956A203B
CF	-----	IC2956A205A	6960053G46	IC2956A203B
CG	-----	IC2956A205B	6960053G46	IC2956A203B
CH	IC2956A205B	IC2956A200B	†6960053G46 ‡6960053G46	†IC2956A203A ‡IC2956A203B
CJ	IC2956A205B	IC2956A200C	†6960053G46 ‡6960053G46	†IC2956A203A ‡IC2956A203B
CK	IC2956A205B	IC2956A200A	†6960053G46 ‡6960053G46	†IC2956A203A ‡IC2956A203B
CL	IC2956A205C	IC2956A200B	†6960053G46 ‡6960053G46	†IC2956A203A ‡IC2956A203B
CM	IC2956A205C	IC2956A200C	†6960053G46 ‡6960053G46	†IC2956A203A ‡IC2956A203B
CN	IC2956A205C	IC2956A200A	†6960053G3 ‡6960053G46	†IC2956A203A ‡IC2956A203B
CP	IC2956A205A	IC2956A200B	†6960053G3 ‡6960053G46	†IC2956A203A ‡IC2956A203B
CR	IC2956A205A	IC2956A200C	†6960053G3 ‡6960053G46	†IC2956A203A ‡IC2956A203B
CS	IC2956A205A	IC2956A200A	†6960053G3 ‡6960053G46	†IC2956A203A ‡IC2956A203B

\* Includes movable and stationary contacts with springs and contact holding screws

† Left side

‡ Right side

**IC2800-Y100 CONTACTORS**

COMPLETE LIST OF PARTS

Fig. No.	Ref. No.	Number Required for IC2800-Y100										Catalog Number	Description
		A	B	D	E	F	R	Y	AD	AE	AF		
1	2	2	2	2	2	2	2	2	-	2	2	N57P16008B	Connection screw for coil lead (10-32, 1/2 in. pan. hd. pro. fin.)
1	3	2	2	2	2	2	2	2	2	2	2	5956358	Terminal clamp for coil lead
1	4	1	1	1	1	1	1	1	1	1	1	8626009P2	Retaining washer for operating coil
1	5	1	1	1	1	1	1	1	1	1	1	5304780G1	Magnet core
1	6	1	1	1	1	1	1	1	1	1	1	N22P25012B	Screw fastening magnet core to magnet frame (3/8 in. -16, 3/4 in. hex hd. pro. fin.)
1	7	1	1	1	1	1	1	1	1	1	1	8650146G3	Magnet frame
1	7	-	-	-	-	1	-	-	-	-	-	8650146G4	Magnet frame
1	8	1	1	1	1	1	1	1	1	1	1	117A7300P1	Terminal for shunt connection
1	9	1	1	1	1	1	1	1	1	1	1	N62P25014B	Carriage bolt fastening terminal to magnet frame (3/8 in. -16, 7/8 in. pro. fin.)
1	10	1	-	1	-	1	-	1	1	1	1	5304773	Arcing horn
1	11	1	-	1	-	1	-	1	1	1	1	279A541P2	Screw fastening arcing horn to magnet frame
1	12	1	1	1	1	1	1	1	-	1	1	8067092P1	Stop plate for armature
1	12	-	-	-	-	-	-	-	1	-	-	8067092P6	Stop plate for armature
1	13	2	2	2	2	2	2	2	2	2	2	N144P16010C	Screw with lockwasher fastening stop plate to magnet frame (10-32, 5/8 in. pan hd. pro. fin.)
1	14	1	1	1	1	1	1	1	1	1	1	8650024P4	Fulcrum plate for armature, stationary
1	15	2	2	2	2	2	2	2	2	2	2	N144P16010C	Screw with lockwasher fastening stationary fulcrum plate to magnet frame (10-32, 5/8 in. pan hd. pro. fin.)
1	16	2	2	2	2	2	2	2	2	2	2	8690535P2	Fulcrum retainer for movable fulcrum plate
1	17	4	4	4	4	4	4	4	4	4	4	N144P16008C	Screw with lockwasher fastening fulcrum retainer to magnet frame (10-32, 1/2 in. pan hd. pro. fin.)
1	18	1	1	1	1	1	1	1	1	1	1	6926385G2	Armature with support for movable contact
1	19	1	1	1	1	1	1	1	1	1	1	8650148P1	Fulcrum plate for armature, movable
1	20	4	4	4	4	4	4	4	4	4	4	N144P16008C	Screw fastening movable fulcrum plate to armature (10-32, 1/2 in. pan hd. pro. fin.)
1	21	1	1	1	1	1	1	1	-	1	-	5354901	Movable contact
1	22	-	-	-	-	-	-	-	-	1	-	5904068G1	Movable contact
1	22	1	1	1	1	1	1	1	1	1	1	5304778G1	Shunt for movable contact
1	23	1	-	1	-	1	-	1	1	1	1	279A541P2	Screw fastening shunt to movable contact
1	24	1	1	1	1	1	1	1	1	1	1	147A6193P1	Compression spring for movable contact
2	25	1	-	1	-	1	-	1	1	-	-	5306102G3	Blowout coil with support for stationary contact
2	25	-	-	-	-	-	-	-	-	1	-	117A7302G1	Blowout coil with support for stationary contact
2	26	1	1	1	1	1	1	1	-	1	-	5352149P1	Stationary contact
2	26	-	-	-	-	-	-	-	-	1	-	5306170G1	Stationary contact
2	27	-	1	-	1	-	1	-	-	-	-	9107563P2	Stationary contact
2	27	1	-	1	-	1	-	1	1	1	1	N22P23012B6	Screw fastening stationary contact to support
2	28	1	-	1	-	1	-	1	1	1	1	5354913	Magnet core for blowout coil
2	29	1	-	1	-	1	-	1	-	1	1	5354916	Insulation sleeve for magnet core
2	29	-	-	-	-	-	-	-	1	-	-	5354916P2	Insulation sleeve for magnet core
2	30	2	-	2	-	2	-	2	-	2	2	5354912	Insulation washer for blowout coil
2	30	-	-	-	-	-	-	-	2	-	-	5354912P2	Insulation washer for blowout coil
2	31	1	-	1	-	1	-	1	1	1	1	5308781G2	Pole piece with stud, left-hand
2	32	1	-	1	-	1	-	1	1	1	1	5354915P2	Pole piece, right-hand
2	32	-	1	-	1	-	1	-	-	-	-	5359172P2	Supporting block for stationary contact
2	32	-	1	-	1	-	1	-	-	-	-	N22P25020B	Screw fastening supporting block to base (3/8 in. -16, 1 1/4 in. hex. hd. pro. fin.)
2	33	1	-	1	-	1	-	1	1	1	1	N26P23056B	Screw fastening pole pieces together (5/16 in. -18, 3 1/2 in. hex. hd. pro. fin.)
2	34	1	-	1	-	1	-	1	1	1	1	117A7149G1	Support for blowout coil lead
2	34	1	-	1	-	1	-	1	-	1	1	117A7148G1	Arc chute, complete, with screws, nuts, and washers
2	35	1	-	1	-	1	-	1	-	1	1	5195148	Arc chute side, right-hand
2	36	1	-	1	-	1	-	1	-	1	1	5195149	Arc chute side, left-hand
2	37	2	-	2	-	2	-	2	-	2	2	N144P16024B	Screw with lockwasher fastening arc chute sides together
		1	-	-	-	-	-	1	-	1	-	728B356P3	Base for contactor
		-	-	1	-	-	-	-	1	-	1	728B536P4	Base for contactor
		-	-	-	-	1	-	-	-	-	-	728B536P5	Base for contactor
		-	1	-	-	-	-	-	-	-	-	119A5423P1	Base for contactor
		-	-	-	1	-	-	-	-	-	-	119A5423P2	Base for contactor
		-	-	-	-	-	1	-	-	-	-	119A5423P3	Base for contactor
		1	1	1	1	1	1	-	1	1	1	728B536P2	Insulation for back of base
		-	-	-	-	-	-	-	1	-	-	728B536P6	Insulation for back of base

# IC2800-Y100 CONTACTORS

GEF-4120

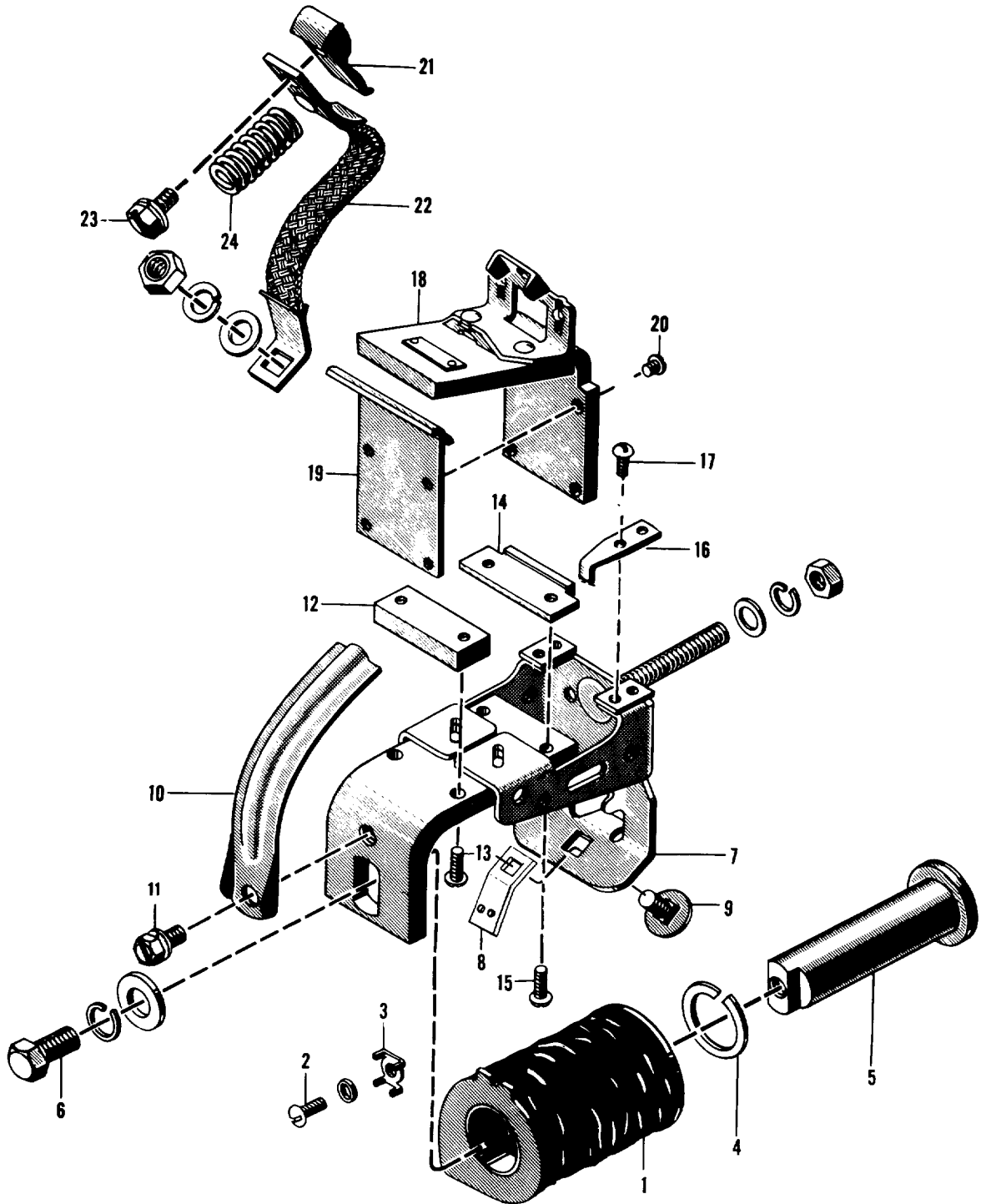


Fig. 1

IC2800-Y100 CONTACTORS

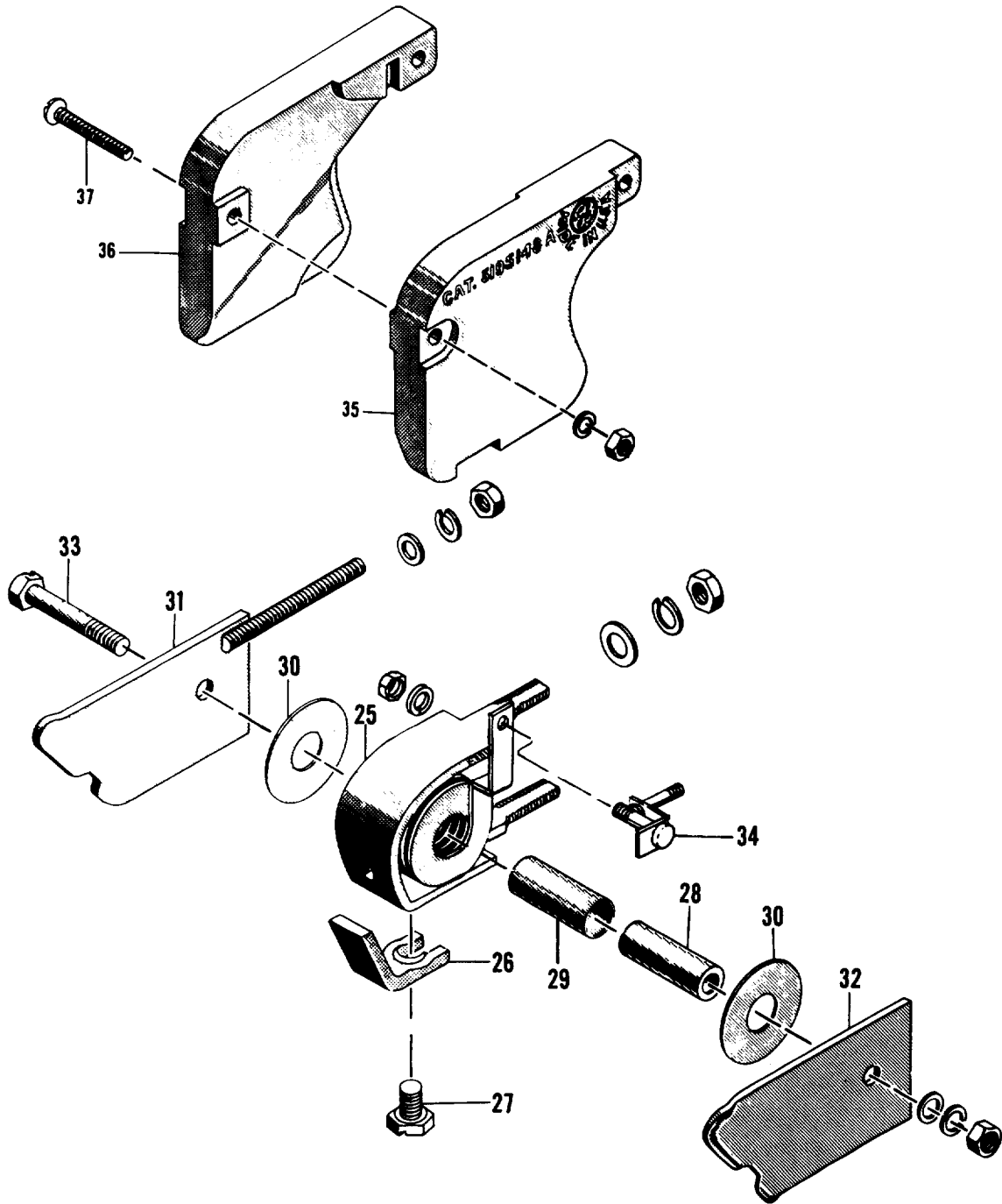


Fig. 2



**GENERAL ELECTRIC COMPANY  
INDUSTRIAL CONTROL DEPARTMENT  
SALEM, VA. 24153**

**GENERAL  ELECTRIC**