

# RENEWAL PARTS



## DS2800-Y101 CONTACTORS

Forms A, B, D, E, F, R, Y, AA, AB, AC, AD, AE, AF, AG, AH, and AJ

**NOTE:**—When ordering parts for a form of the contactor not covered by this bulletin, give reference number, description of part, complete nameplate reading, and above bulletin (GEF) number. Do not use catalog number when form for which the parts are needed is not covered by the bulletin.

### PARTS RECOMMENDED FOR NORMAL STOCK

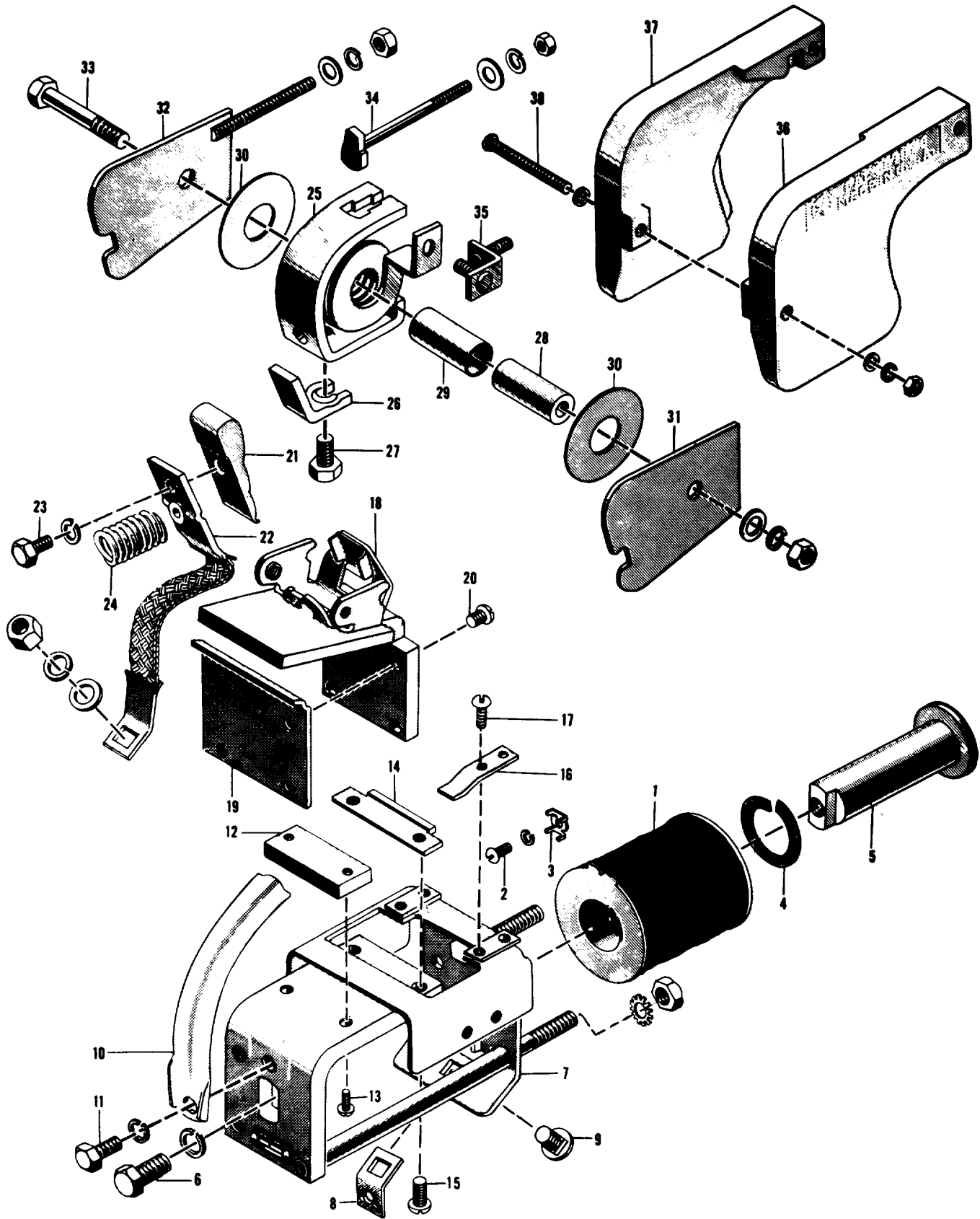
Ref. No.	Number Required for DS2800-Y101-															Catalog Number	Description	
	A	B	D	E	F	R	Y	AA	AB	AC	AD	AE	AF	AG	AH			AJ
1	1	1	1	1	1	1	1	1	1	1	1	1	1	1	1	1	----- -----	Operating coil (see table on page 3) Set of interlock contacts (see table on page 5)
21	1	1	1	1	1	1	1	-	1	-	1	-	1	-	-	1	5351643	Movable contact
21	-	-	-	-	-	-	-	1	-	1	-	-	-	1	1	-	5306170G2	Movable contact
21	-	-	-	-	-	-	-	-	-	-	-	1	-	1	1	-	139B8097G3	Movable contact
26	1	1	1	1	1	1	1	1	1	-	1	1	1	-	-	1	5352149	Stationary contact
26	-	-	-	-	-	-	-	-	-	1	-	-	-	1	1	-	5306170G6	Stationary contact
24	1	1	1	1	1	1	1	1	1	1	1	1	1	1	1	1	2414865	Compression spring for movable contact
22	1	1	1	1	1	1	1	1	1	1	1	1	1	1	1	1	5300851G1	Shunt for movable contact
36	1	-	1	-	1	-	1	-	1	1	1	1	1	1	1	1	3671036P2	Arc chute side, right-hand
37	1	-	1	-	1	-	1	-	1	1	1	1	1	1	1	1	3671035P2	Arc chute side, left-hand

Δ If interlock is used, a quantity of one set is required for each interlock.

When ordering renewal parts, give quantity, catalog number, description of each item required, and complete nameplate reading.



# DS2800-Y101 CONTACTORS



IC2800-Y101 Contactor

# DS2800-Y101 CONTACTORS

GEF-4121

## COMPLETE LIST OF PARTS (CONT'D)

Ref. No.	Number Required for DS2800-Y101-																Catalog Number	Description
	A	B	D	E	F	R	Y	AA	AB	AC	AD	AE	AF	AG	AH	AJ		
36	1	-	1	-	1	-	1	-	1	1	1	-1	1	1	1	1	3671036P2	Arc chute side, right-hand Arc chute side, left-hand Screw fastening arc chute sides together (10-32, 2 1/8 in. pan hd) Base Base Base Base Base Base Base Base Base Base Insulation for back of base Insulation for back of base
37	1	-	1	-	1	-	1	-	1	1	1	1	1	1	1	1	3671035P2	
38	2	-	2	-	2	-	2	-	2	2	2	2	2	2	2	2	N57P16032B	
	1	-	-	-	-	-	1	-	1	1	-	-	-	-	1	-	728B359P1	
	-	1	-	-	-	-	-	1	-	-	-	-	-	-	-	-	119A5424P1	
	-	-	1	-	-	-	-	-	-	-	1	-	-	1	-	-	728B359P3	
	-	-	-	1	-	-	-	-	-	-	-	-	-	-	-	-	119A5424P2	
	-	-	-	-	1	-	-	-	-	-	-	-	-	-	-	-	728B539P4	
	-	-	-	-	-	1	-	-	-	-	-	-	-	-	-	-	119A5424P3	
	-	-	-	-	-	-	-	-	-	-	1	-	-	-	-	-	157B8065P1	
	-	-	-	-	-	-	-	-	-	-	-	1	-	-	-	-	728B539P6	
	1	1	1	1	1	1	1	1	1	1	-	1	1	1	-	-	728B539P2	
	-	-	-	-	-	-	-	-	-	-	1	-	-	-	-	-	157B8065P2	

### ELECTRICAL INTERLOCKS

NOTE: The interlock is identified by the letter following the coil number in the DS designation.

EXAMPLE: DS2800-Y101-A-3-B requires interlock letter B, Cat. No. IC2956A200C

FORMS A, B, D, E, F, R, Y, AA, AB, AC, AD, AF, AND AJ ONLY

Interlock Letter	INTERLOCK SWITCH UNIT		δ Set of Interlock Contacts Cat. No.	Interlock Mounting KIT
	Right-hand Cat. No.	Left-hand Cat. No.		
B	-----	IC2956A200C	6960053G3	IC2956A203C
C	-----	IC2956A200A	6960053G3	IC2956A203C
D	-----	IC2956A200B	6960053G3	IC2956A203C
E	IC2956A200C	-----	6960053G3	IC2956A203C
F	IC2956A200A	-----	6960053G3	IC2956A203C
G	IC2956A200B	-----	6960053G3	IC2956A203C
H	IC2956A200A	IC2956A200A	6960053G3	IC2956A203C
J	IC2956A200B	IC2956A200B	6960053G3	IC2956A203C
K	IC2956A200C	IC2956A200C	6960053G3	IC2956A203C
L	IC2956A200A	IC2956A200C	6960053G3	IC2956A203C
M	IC2956A200C	IC2956A200B	6960053G3	IC2956A203C
N	IC2956A200A	IC2956A200C	6960053G3	IC2956A203C
P	-----	IC2956A200AJ	6960053G3	IC2956A203C
R	IC2956A200AJ	-----	6960053G3	IC2956A203C
S	IC2956A200C	IC2956A200A	6960053G3	IC2956A203C
T	IC2956A200AH	-----	6960053G3	IC2956A203C
V	IC2956A200AK	-----	6960053G3	IC2956A203C
W	IC2956A200AJ	IC2956A200AJ	6960053G3	IC2956A203C
AB	-----	IC2956A200AC	6960053G22	IC2956A203C
AC	-----	IC2956A200AA	6960053G22	IC2956A203C
AD	-----	IC2956A200AB	6960053G22	IC2956A203C
AE	IC2956A200AC	-----	6960053G22	IC2956A203C
AF	IC2956A200AA	-----	6960053G22	IC2956A203C
AG	IC2956A200AB	-----	6960053G22	IC2956A203C
AH	IC2956A200AA	IC2956A200AA	6960053G22	IC2956A203C
AJ	IC2956A200AB	IC2956A200AB	6960053G22	IC2956A203C
AK	IC2956A200AC	IC2956A200AC	6960053G22	IC2956A203C
AL	IC2956A200AA	IC2956A200AC	6960053G22	IC2956A203C
AM	IC2956A200AB	IC2956A200AC	6960053G22	IC2956A203C
AN	IC2956A200AC	IC2956A200AA	6960053G22	IC2956A203C
BB	IC2956A200AA	IC2956A200A	†6960053G22	IC2956A203C
			‡6960053G3	
BC	IC2956A200AC	IC2956A200A	†6960053G22	IC2956A203C
			‡6960053G3	
BD	IC2956A200AB	IC2956A200A	†6960053G22	IC2956A203C
			‡6960053G3	

δ Includes movable and stationary contacts with springs and contact-holding screws

† For right-hand switch unit

‡ For left-hand switch unit

# DS2800-Y101 CONTACTORS

GEF-4121

## COMPLETE LIST OF PARTS

Ref. No.	Number Required for DS2800-Y101-																Catalog Number	Description				
	A	B	D	E	F	R	Y	AA	AB	AC	AD	AE	AF	AG	AH	AJ						
2																						
3																						
4	1	1	1	1	1	1	1	1	1	1	1	1	1	1	1	1	1	1	1	1	8626009P3	Retaining washer for operating coil
5	1	1	1	1	1	1	1	1	1	1	1	1	1	1	1	1	1	1	1	1	5304780G2	Magnet core for operating coil
6	1	1	1	1	1	1	1	1	1	1	1	1	1	1	1	1	1	1	1	1	N22P25012B	Screw fastening magnet core to magnet frame (3/8-16, 3/4 in. hex. hd)
	1	1	1	1	1	1	1	1	1	1	1	1	1	1	1	1	1	1	1	1	5358534	Washer for Ref. 6 screw
7	1	1	1	1	1	1	1	1	1	1	1	-	1	1	1	1	1	1	1	1	8650144G3	Magnet frame for operating coil
8	-	-	-	-	-	-	-	-	-	-	-	-	1	-	-	-	-	-	-	-	8650144G4	Magnet frame for operating coil
7	1	1	1	1	1	1	1	1	1	1	1	1	1	1	1	1	1	1	1	1	117A7300P2	Terminal for shunt
9	1	1	1	1	1	1	1	1	1	1	1	1	1	1	1	1	1	1	1	1	N62P25014B	Carriage bolt fastening shunt and terminal to magnet frame (5/16-18, 1/2 in. hex. hd)
10	1	-	1	-	1	-	1	-	1	1	1	1	1	1	1	1	1	1	1	1	5300892	Arcing horn
11	1	-	1	-	1	-	1	-	1	1	1	1	1	1	1	1	1	1	1	1	N22P23008B	Screw fastening arcing horn to magnet frame (5/16-18, 1/2 in. hex. hd)
12	1	1	1	1	1	1	1	1	1	1	-	1	-	1	1	1	1	1	1	1	8067092P2	Stop plate for armature
12	-	-	-	-	-	-	-	-	-	-	-	1	-	1	-	-	-	-	-	-	8067092P7	Stop plate for armature
13	2	2	2	2	2	2	2	2	2	2	2	2	2	2	2	2	2	2	2	2	N144P16012C	Screw with lock washer fastening stop plate to magnet frame
14	1	1	1	1	1	1	1	1	1	1	1	1	1	1	1	1	1	1	1	1	8650024P3	Fulcrum plate for armature, stationary
15	2	2	2	2	2	2	2	2	2	2	2	2	2	2	2	2	2	2	2	2	N144P21010C	Screw with lock washer fastening stationary fulcrum plate to magnet frame
16	1	1	1	1	1	1	1	1	1	1	1	1	1	1	1	1	1	1	1	1	8690535P1	Fulcrum retainer for movable fulcrum plate
17	2	2	2	2	2	2	2	2	2	2	2	2	2	2	2	2	2	2	2	2	576A147P5	Screw fastening fulcrum retainer to magnet frame
18	1	1	1	1	1	1	1	1	1	1	1	1	1	1	1	1	1	1	1	1	6926368G1	Armature with support for movable contact
18	-	-	-	-	-	-	-	-	-	-	-	-	-	-	-	-	-	-	-	1	6926368G2	Armature with support for movable contact
19	1	1	1	1	1	1	1	1	1	1	1	1	1	1	1	1	1	1	1	1	8650148P2	Fulcrum plate for armature, movable
20	4	4	4	4	4	4	4	4	4	4	4	4	4	4	4	4	4	4	4	4	N144P21010C	Screw with lock washer fastening moving fulcrum plate to armature
21	1	1	1	1	1	1	1	-	1	-	1	-	1	-	-	-	-	-	-	1	5351643	Movable contact
21	-	-	-	-	-	-	-	-	1	-	1	-	-	-	-	-	-	-	-	-	5306170G2	Movable contact
21	-	-	-	-	-	-	-	-	-	-	-	-	-	1	-	1	-	-	-	-	139B8097G3	Movable contact
22	1	1	1	1	1	1	1	1	1	1	1	1	1	1	1	1	1	1	1	1	5300851G1	Shunt for movable contact
23	1	1	1	1	1	1	1	1	1	1	1	1	1	1	1	1	1	1	1	1	N22P23008B	Screw fastening shunt to movable contact (5/16-18, 1/2 in. hex. hd)
24	1	1	1	1	1	1	1	1	1	1	1	1	1	1	1	1	1	1	1	1	2414865	Compression spring for movable contact
25	1	-	1	-	1	-	-	-	-	1	1	1	1	1	1	1	1	1	1	1	117A7303G1	Blowout coil and support for stationary contact
25	-	-	-	-	-	-	1	-	-	-	-	-	-	-	-	-	-	-	-	-	125A4820G1	Blowout coil and support for stationary contact
25	-	-	-	-	-	-	-	-	1	-	-	-	-	-	-	-	-	-	-	-	117A7303G1	Blowout coil and support for stationary contact
	-	1	-	1	-	1	-	1	-	-	-	-	-	-	-	-	-	-	-	-	119A5427P1	Support for stationary contact
	-	1	-	1	-	1	-	1	-	-	-	-	-	-	-	-	-	-	-	-	N22P25020B	Screw fastening contact support to base (3/8-16, 1 1/4 in. hex. hd)
26	1	1	1	1	1	1	-	1	1	1	1	1	1	1	1	1	1	1	1	1	5352149	Stationary contact
26	-	-	-	-	-	-	1	-	-	-	-	-	-	-	-	-	-	-	-	-	5306170G6	Stationary contact
27	1	-	1	-	1	-	1	-	1	1	1	1	1	1	1	1	1	1	1	1	N26P23012B	Screw fastening stationary contact to support (5/16-18, 5/8 in. hex. hd slot)
28	1	-	1	-	1	-	1	-	1	1	1	1	1	1	1	1	1	1	1	1	6903416	Magnet core for blowout coil
29	1	-	1	-	1	-	-	-	1	1	-	1	-	1	1	1	1	1	1	1	6903415P1	Insulation sleeve for magnet core
29	-	-	-	-	-	-	-	-	-	-	-	1	-	1	-	-	-	-	-	-	6903415P2	Insulation sleeve for magnet core
30	2	-	2	-	2	-	-	-	2	2	-	2	-	2	2	2	2	2	2	2	6907875P1	Insulation washer for blowout coil
30	-	-	-	-	-	-	-	-	-	-	-	2	-	2	-	2	-	-	-	-	6907875P2	Insulation washer for blowout coil
31	1	-	1	-	1	-	1	-	1	1	1	1	1	1	1	1	1	1	1	1	6914806P3	Pole piece, right-hand
32	1	-	1	-	1	-	1	-	1	1	1	1	1	1	1	1	1	1	1	1	6914815G3	Pole piece with stud, left-hand
33	1	-	1	-	1	-	1	-	1	1	1	1	1	1	1	1	1	1	1	1	N26P23040B	Screw fastening pole pieces together (5/16-18, 2 1/2 in. hex. hd slot)
34	1	-	1	-	1	-	1	-	1	1	1	1	1	1	1	1	1	1	1	1	6914804G9	Support for arc chute
35	1	-	1	-	1	-	1	-	1	1	1	1	1	1	1	1	1	1	1	1	117A7149G2	Support for blowout coil lead
	1	-	1	-	1	-	1	-	1	1	1	1	1	1	1	1	1	1	1	1	117A7148G2	Arc chute, complete with screws and nuts

# DS2800-Y101 CONTACTORS

GEF-4121

## OPERATING COILS, PICK-UP RESISTORS, RECTIFIERS, AND AUXILIARY CONTACTORS FOR DS2800-Y101 CONTACTORS

NOTE: The number following the form letters in the DS Designation identifies the Operating Coils; Pick-up Resistors, Rectifiers, and Auxiliary Contactors. Each must be ordered separately from the table below.

EXAMPLE: DS2800-Y101-A-14B requires coil number 14, Cat. No. 22D101G15A, Pick-up Resistor A50E25DA-TH, Rectifier IC3500A403B1, and Auxiliary Contactor CR2810A14AC4.

Coil No.	Coil Cat. No.	No. Req'd	Pick-up Resistor 1 Required	Rectifier 1 Required	†Auxiliary Contactor 1 Required
2	22D101G2A	1	-----	-----	-----
2	22D101G2A	2	A50E250DA-TH	IC3500A403B1	{ CR2810A14AC5 *CR2810A14AC6
3	22D101G3A	1	-----	-----	-----
4	22D101G4A	1	-----	-----	-----
5	22D101G5A	1	-----	-----	-----
5	22D101G5A	1	A50E250DA-TH	IC3500A403B3	{ CR2810A14AC5 *CR2810A14AC6
6	22D101G6A	1	-----	-----	-----
7	22D101G7A	1	-----	-----	-----
8	22D101G8A	1	-----	-----	-----
9	22D101G9	1	-----	-----	-----
9	22D101G8A	1	A50E75DA-TH	A3500A403B1	CR2810A14AC2
9	22D101G8A	2	A50E10DA-TH	A3500A403B1	CR2810A14AC2
10	22D101G9	1	-----	-----	-----
11	22D101G12A	1	-----	-----	-----
11	22D101G12A	2	A50E150DA-TH	A3500A403B3	CR2810A14AC3
12	22D101G14A	1	-----	-----	-----
13	22D101G10A	1	-----	-----	-----
14	22D101G15A	1	-----	-----	-----
14	22D101G15A	2	A50E25DA-TH	A3500A403B1	CR2810A14AC4
15	22D101G11A	1	-----	-----	-----
15	22D101G11A	1	A50E250DA-TH	A3500A403B1	CR2810A14AC3
16	22D101G16A	1	-----	-----	-----
17	22D101G17A	1	-----	-----	-----
18	22D101G17A	1	-----	-----	-----
18	22D101G17A	1	A50E250DA-TH	A3500A403B3	CR2810A14AC4
19	22D101G18A	1	-----	-----	-----
20	22D101G19A	1	-----	-----	-----
22	22D101G15A	1	-----	-----	-----
23	22D101G21A	1	-----	-----	-----
25	22D101G27A	1	-----	-----	-----
26	22D101G28A	1	-----	-----	-----
27	22D101G112A	1	-----	-----	-----
28	22D101G119A	1	-----	-----	-----
29	22D101G111A	1	-----	-----	-----
31	22D101G26A	1	-----	-----	-----

\* For 600-volt application.

† For parts of auxiliary contactor, refer to GEF-4210.

**DS2800-Y101 CONTACTORS**

ELECTRICAL INTERLOCKS (CONT'D)

Interlock Letter	INTERLOCK SWITCH UNIT		δ Set of Interlock Contacts Cat. No.	Interlock Mounting KIT
	Right-hand Cat. No.	Left-hand Cat. No.		
BE	IC2956A200AA	IC2956A200C	†6960053G22 ‡6960053G3	IC2956A203C
BF	IC2956A200AC	IC2956A200C	†6960053G22 ‡6960053G3	IC2956A203C
BG	IC2956A200AB	IC2956A200C	†6960053G22 ‡6960053G3	IC2956A203C
BH	IC2956A200AA	IC2956A200B	†6960053G22 ‡6960053G3	IC2956A203C
BJ	IC2956A200AC	IC2956A200B	†6960053G22 ‡6960053G3	IC2956A203C
BK	IC2956A200AB	IC2956A200B	†6960053G22 ‡6960053G3	IC2956A203C
CH	IC2956A200B	IC2956A205B	†6960053G3 ‡6960053G46	IC2956A203C
CJ	IC2956A200C	IC2956A205B	†6960053G3 ‡6960053G46	IC2956A203C
CK	IC2956A200A	IC2956A205B	†6960053G3 ‡6960053G46	IC2956A203C
CL	IC2956A200B	IC2956A205C	†6960053G3 ‡6960053G46	IC2956A203C
CM	IC2956A200C	IC2956A205C	†6960053G3 ‡6960053G46	IC2956A203C
CN	IC2956A200A	IC2956A205C	†6960053G3 ‡6960053G46	IC2956A203C
CP	IC2956A200B	IC2956A205A	†6960053G3 ‡6960053G46	IC2956A203C
CR	IC2956A200B	IC2956A205A	†6960053G3 ‡6960053G46	IC2956A203C
CS	IC2956A200C	IC2956A205A	†6960053G3 ‡6960053G46	IC2956A203C

FORM AE ONLY

B	5192887G2	-----	-----	-----
---	-----------	-------	-------	-------

FOR FORMS AG AND AH ONLY

B	-----	IC2956A200C	6960053G3	IC2956A203C
C	-----	IC2956A200B	6960053G3	IC2956A203C
D	-----	IC2956A200A	6960053G3	IC2956A203C
E	IC2956A200C	-----	6960053G3	IC2956A203C
F	IC2956A200B	-----	6960053G3	IC2956A203C
G	IC2956A200A	-----	6960053G3	IC2956A203C
H	IC2956A200A	IC2956A200A	6960053G3	IC2956A203C
J	IC2956A200A	IC2956A200C	6960053G3	IC2956A203C
K	IC2956A200C	IC2956A200C	6960053G3	IC2956A203C
L	IC2956A200B	IC2956A200C	6960053G3	IC2956A203C
M	IC2956A200B	IC2956A200B	6960053G3	IC2956A203C
N	IC2956A200AJ	-----	6960053G3	IC2956A203C
P	IC2956A200AK	-----	6960053G3	IC2956A203C
R	IC2956A200AH	-----	6960053G3	IC2956A203C
S	IC2956A200AK	-----	6960053G3	IC2956A203C

δ Includes movable and stationary contacts with springs and contact-holding screws

† For right-hand switch unit

‡ For left-hand switch unit

**GENERAL ELECTRIC COMPANY  
COMPONENTS AND EQUIPMENT SALES  
DRIVE SYSTEMS DEPARTMENT  
SALEM, VA 24153**

