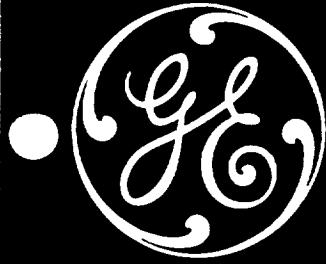


# RENEWAL PARTS

GEF-4122B  
Supersedes GEF-4122A



## IC2800-Y102 CONTACTORS

Forms A thru AL

### PARTS RECOMMENDED FOR NORMAL STOCK

Fig. No.	Ref. No.	Number Required for IC2800-Y102																		Catalog Number	Description	
		A	B	D	E	F	R	X	Y	AA	AB	AC	AD	AE	AF	AG	AH	AJ	AK			AL
1	1	1	1	1	1	1	1	1	1	1	1	1	1	1	1	1	1	1	1	1	-----	Operating coil (see table below)
1	25	Δ	Δ	Δ	Δ	Δ	Δ	Δ	Δ	Δ	Δ	Δ	Δ	Δ	Δ	Δ	Δ	Δ	Δ	Δ	-----	Set of interlock contacts (see table on page 2)
1	25	-	-	-	-	-	-	-	-	-	-	-	-	-	-	-	-	-	-	-	9034269	Movable contact
1	30	-	-	-	-	-	-	-	-	-	-	-	-	-	-	-	-	-	-	-	9034293	Movable contact
2	30	1	1	1	1	1	1	1	1	1	1	1	1	1	1	1	1	1	1	1	139B8098G1	Stationary contact
1	26	1	1	1	1	1	1	1	1	1	1	1	1	1	1	1	1	1	1	1	8617333	Stationary contact
1	28	1	1	1	1	1	1	1	1	1	1	1	1	1	1	1	1	1	1	1	9034270G1	Shunt for movable contact
2	42	1	-	1	-	1	-	1	-	1	-	1	-	1	-	1	-	1	-	1	144A1386P1	Compression spring for movable contact
2	43	1	-	1	-	1	-	1	-	1	-	1	-	1	-	1	-	1	-	1	9004333P1	Arc chute side, right-hand
																					9004334P1	Arc chute side, left-hand

Δ If interlock is used, a quantity of one set is required for each interlock switch unit.

### OPERATING COILS, RECTIFIERS, PICK UP RESISTORS

NOTE: The numbers following the form letters in the IC designation identify the operating coils, rectifiers and pick up resistors.  
EXAMPLE: IC2800Y102A2B requires coil No. 2 Cat. No. 22D75G2, rectifier IC3500A403C5, pick up resistor A100G750EA-TH.

Coil No.	Coil Cat. No.	No. Req'd	Rectifier	No. Req'd	Pick Up Resistor	No. Req'd	Coil No.	Coil Cat. No.	No. Req'd
2	22D75G2A	1					19	22D75G21A	1
2	G2	1	IC3500A403C5	1	A100G750EA-TH	1	20	G19A	1
2	G2	1	IC3500A403C8	1	A100G1250EA-TH	1	21	G26A	1
3	G3A	1	-----	-	-----	-	22	G27A	1
3	G3	1	IC3500A403C6	1	A100G250EA-TH	1	23	G18A	1
4	G4A	1	-----	-	-----	-	24	22D75G11A	1
5	G5A	1	-----	-	-----	-	25	G28A	1
6	G7A	1	-----	-	-----	-	26	G13A	1
7	G19A	1	-----	-	-----	-	27	G9A	1
8	G16A	1	-----	-	-----	-	28	G29A	1
9	G10A	1	-----	-	-----	-	29	G30A	1
9	22D75G10	1	IC3500A403C2	1	-----	-	30	22D75G31A	1
10	3242020	1	-----	-	-----	-	31	9348301	1
11	22D75G23A	1	-----	-	-----	-		9348301G2	1
12	G15A	1	-----	-	-----	-	32	22D75G32A	1
13	G17A	1	-----	-	-----	-	33	G29A	1
14	G8A	1	-----	-	-----	-	34	G34A	1
15	G24A	1	-----	-	-----	-	35	G2A	1
16	G25A	1	-----	-	-----	-	36	G12A	1
17	G6A	1	-----	-	-----	-	37	G36A	1
18	G14A	1	-----	-	-----	-			

When ordering renewal parts, give quantity, catalog number, description of each item required, and complete nameplate reading.



**IC2800-Y102 CONTACTORS**

ELECTRICAL INTERLOCKS

NOTE: The interlock is identified by the letter following the coil number in the IC designation.  
 EXAMPLE: IC2800-Y102-A-2-B requires interlock letter B, Cat. No. IC2956A200C.

Interlock Letter	Interlock Switch Unit		Mounting Kit (1 per Intl'k)	*Set of Contacts (1 Intl'k)	Interlock Letter	Interlock Switch Unit		Mounting Kit (1 per Intl'k)	*Set of Contacts (1 Intl'k)
	Left-hand	Right-hand				Left-hand	Right-hand		
	Cat. No.	Cat. No.				Cat. No.	Cat. No.		
B	IC2956A200C	-----	IC2956A203E	6960053G3	BH	IC2956A200B	IC2956A200AA	IC2956A203E	6960053G3
C	IC2956A200A	-----	IC2956A203E	6960053G3				IC2956A203E	6960053G23
D	IC2956A200B	-----	IC2956A203E	6960053G3				IC2956A203E	6960053G3
E	-----	IC2956A200C	IC2956A203E	6960053G3	BJ	IC2956A200B	IC2956A200AC	IC2956A203E	6960053G23
F	-----	IC2956A200A	IC2956A203E	6960053G3				IC2956A203E	6960053G3
G	-----	IC2956A200B	IC2956A203E	6960053G3	BK	IC2956A200B	IC2956A200AB	IC2956A203E	6960053G22
H	IC2956A200A	IC2956A200A	IC2956A203E	6960053G3				IC2956A203E	6960053G3
J	IC2956A200B	IC2956A200B	IC2956A203E	6960053G3	BL	IC2956A200A	IC2956A205A	IC2956A203E	6960053G24
K	IC2956A200C	IC2956A200C	IC2956A203E	6960053G3				IC2956A203E	6960053G3
L	IC2956A200C	IC2956A200A	IC2956A203E	6960053G3	BM	IC2956A200A	IC2956A205C	IC2956A203E	6960053G24
M	IC2956A200C	IC2956A200B	IC2956A203E	6960053G3				IC2956A203E	6960053G3
N	IC2956A200A	IC2956A200C	IC2956A203E	6960053G3	BN	IC2956A200A	IC2956A205B	IC2956A203E	6960053G24
P	-----	IC2956A200AJ	IC2956A203E	6960053G3				IC2956A203E	6960053G3
AB	IC2956A200AC	-----	IC2956A203E	6960053G22	BP	IC2956A200C	IC2956A205A	IC2956A203E	6960053G24
AC	IC2956A200AA	-----	IC2956A203E	6960053G22				IC2956A203E	6960053G3
AD	IC2956A200AB	-----	IC2956A203E	6960053G22	BR	IC2956A200C	IC2956A205C	IC2956A203E	6960053G24
AE	-----	IC2956A200AC	IC2956A203E	6960053G22				IC2956A203E	6960053G3
AF	-----	IC2956A200AA	IC2956A203E	6960053G22	BS	IC2956A200C	IC2956A205B	IC2956A203E	6960053G24
AG	-----	IC2956A200AB	IC2956A203E	6960053G22				IC2956A203E	6960053G3
AH	IC2956A200AA	IC2956A200AA	IC2956A203E	6960053G22	BT	IC2956A200B	IC2956A205A	IC2956A203E	6960053G24
AJ	IC2956A200AB	IC2956A200AB	IC2956A203E	6960053G22				IC2956A203E	6960053G3
AK	IC2956A200AC	IC2956A200AC	IC2956A203E	6960053G22	BV	IC2956A200B	IC2956A205B	IC2956A203E	6960053G24
AL	IC2956A200AC	IC2956A200AA	IC2956A203E	6960053G22				IC2956A203E	6960053G3
AM	IC2956A200AC	IC2956A200AB	IC2956A203E	6960053G22	BW	IC2956A200B	IC2956A205B	IC2956A203E	6960053G24
BB	IC2956A200A	IC2956A200AA	IC2956A203E	6960053G3	CB	IC2956A205C	-----	IC2956A203E	6960053G24
			IC2956A203E	6960053G22	CC	IC2956A205A	-----	IC2956A203E	6960053G24
BC	IC2956A200A	IC2956A200AC	IC2956A203E	6960053G3	CD	IC2956A205B	-----	IC2956A203E	6960053G24
			IC2956A203E	6960053G22	CE	-----	IC2956A205C	IC2956A203E	6960053G24
BD	IC2956A200A	IC2956A200AD	IC2956A203E	6960053G3	CF	-----	IC2956A205A	IC2956A203E	6960053G24
			IC2956A203E	6960053G23	CG	-----	IC2956A205B	IC2956A203E	6960053G24
BE	IC2956A200C	IC2956A200AE	IC2956A203E	6960053G3	CH	IC2956A205A	IC2956A205A	IC2956A203E	6960053G24
			IC2956A203E	6960053G23	CJ	IC2956A205B	IC2956A205B	IC2956A203E	6960053G24
BF	IC2956A200C	IC2956A200AC	IC2956A203E	6960053G3	CK	IC2956A205C	IC2956A205C	IC2956A203E	6960053G24
			IC2956A203E	6960053G22				IC2956A203E	6960053G24
BG	IC2956A200C	IC2956A200AB	IC2956A203E	6960053G3	CL	IC2956A205C	IC2956A205A	IC2956A203E	6960053G24
			IC2956A203E	6960053G22	CM	IC2956A205C	IC2956A205B	IC2956A203E	6960053G24

\* Includes movable and stationary contacts, springs, and contact-holding screws.

# IC2800-Y102 CONTACTORS

GEF-4122

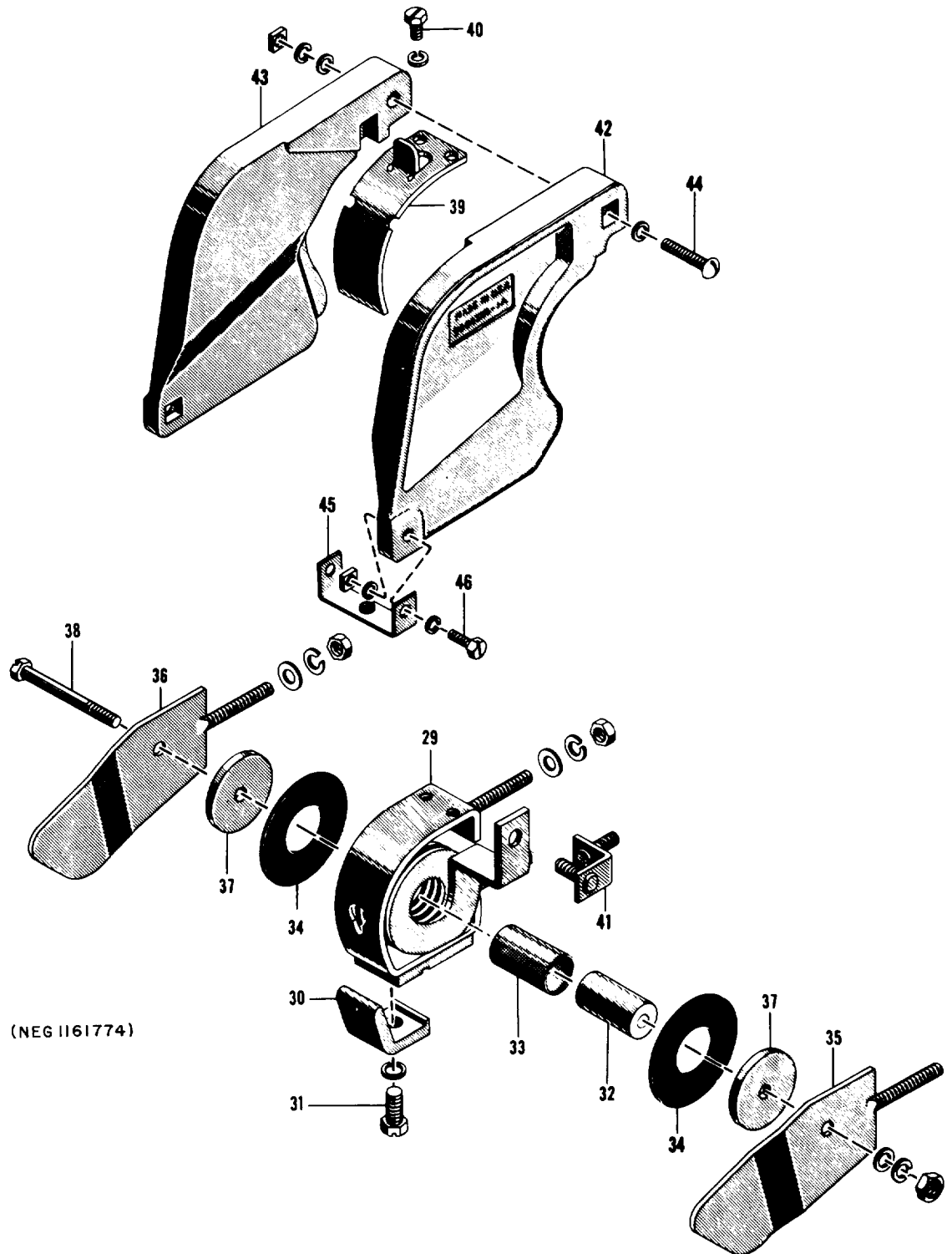


Fig. 2

IC2800-Y102 CONTACTORS

COMPLETE LIST OF PARTS

Fig. Ref. No.	Number Required for IC2800-Y102													Catalog Number	Description						
	A	B	D	E	F	R	X	Y	AA	AB	AC	AD	AE			AF	AG	AH	AJ	AK	AL
1	2	2	2	2	2	2	2	2	2	2	2	2	2	2	2	2	2	2	2	N57P16008B	Connection screw for coil lead (10-32, 1/2 in. pan. hd. pro. fin.)
1	3	2	2	2	2	2	2	2	2	2	2	2	2	2	2	2	2	2	2	8617022	Terminal clamp for coil lead
1	4	1	1	1	1	1	1	1	1	1	1	1	1	1	1	1	1	1	1	8626009P4	Retaining washer for operating coil
1	5	1	1	1	1	1	1	1	1	1	1	1	1	1	1	1	1	1	1	5304780G3	Magnet core for operating coil
1	6	1	1	1	1	1	1	1	1	1	1	1	1	1	1	1	1	1	1	N22P29016B	Screw fastening magnet core to magnet frame (1/2 in. -13, 1 in. hex. hd. pro. fin.)
1	7	1	1	1	1	1	1	1	1	1	1	1	1	1	1	1	1	1	1	402P45	Washer for screw fastening core to frame
1	8	1	1	1	1	1	1	1	1	1	1	1	1	1	1	1	1	1	1	8650023G2	Magnet frame for operating coil
1	9	1	1	1	1	1	1	1	1	1	1	1	1	1	1	1	1	1	1	8650023G4	Magnet frame for operating coil
1	10	1	1	1	1	1	1	1	1	1	1	1	1	1	1	1	1	1	1	5300385P1	Connection plate for magnet frame
1	11	1	1	1	1	1	1	1	1	1	1	1	1	1	1	1	1	1	1	117A7300P3	Terminal for connection plate
1	12	1	1	1	1	1	1	1	1	1	1	1	1	1	1	1	1	1	1	N62P29020B	Carriage bolt fastening shunt and terminal to connection plate (1/2 in. -13, 1 1/4 in. pro. fin.)
1	13	1	1	1	1	1	1	1	1	1	1	1	1	1	1	1	1	1	1	9034272G1	Arcing horn
1	14	1	1	1	1	1	1	1	1	1	1	1	1	1	1	1	1	1	1	N26P23010B	Screw fastening arcing horn to magnet frame (5/16 in. -18, 5/8 in. hex. hd. slot, pro. fin.)
1	15	2	2	2	2	2	2	2	2	2	2	2	2	2	2	2	2	2	2	8067092P3	Stop plate for armature
1	16	1	1	1	1	1	1	1	1	1	1	1	1	1	1	1	1	1	1	N144P16010B6	Screw with lockwasher fastening stop plate to magnet frame
1	17	2	2	2	2	2	2	2	2	2	2	2	2	2	2	2	2	2	2	8650024P2	Fulcrum plate for armature, stationary
1	18	2	2	2	2	2	2	2	2	2	2	2	2	2	2	2	2	2	2	N144P21010C	Screw with lockwasher fastening stationary fulcrum plate to magnet frame
1	19	2	2	2	2	2	2	2	2	2	2	2	2	2	2	2	2	2	2	8690203P2	Fulcrum retainer for movable fulcrum plate
1	20	2	2	2	2	2	2	2	2	2	2	2	2	2	2	2	2	2	2	8616461	Clamping strip for fulcrum retainer
1	21	2	2	2	2	2	2	2	2	2	2	2	2	2	2	2	2	2	2	N26P21010B	Screw fastening fulcrum retainer and clamping strip to magnet frame (1/4 in. -20, 5/8 in. hex. hd. slot, pro. fin.)
1	22	1	1	1	1	1	1	1	1	1	1	1	1	1	1	1	1	1	1	8616460P1	Dowel screw for fulcrum retainer and clamping strip
1	23	1	1	1	1	1	1	1	1	1	1	1	1	1	1	1	1	1	1	8087245G1	Armature with support for movable contact
1	24	4	4	4	4	4	4	4	4	4	4	4	4	4	4	4	4	4	4	8087245G5	Armature with support for movable contact
1	25	1	1	1	1	1	1	1	1	1	1	1	1	1	1	1	1	1	1	8650025P1	Fulcrum plate for armature, movable
1	26	1	1	1	1	1	1	1	1	1	1	1	1	1	1	1	1	1	1	N144P21010C	Screw with lockwasher fastening movable fulcrum plate to armature
1	27	1	1	1	1	1	1	1	1	1	1	1	1	1	1	1	1	1	1	9034269	Movable contact
1	28	1	1	1	1	1	1	1	1	1	1	1	1	1	1	1	1	1	1	9034293	Movable contact
1	29	1	1	1	1	1	1	1	1	1	1	1	1	1	1	1	1	1	1	8617336P1	Shunt for movable contact
1	29	1	1	1	1	1	1	1	1	1	1	1	1	1	1	1	1	1	1	8617336P1	Screw fastening shunt to movable contact
1	29	1	1	1	1	1	1	1	1	1	1	1	1	1	1	1	1	1	1	144A1386P1	Washer for screw Cat. No. 8617336P1
1	29	1	1	1	1	1	1	1	1	1	1	1	1	1	1	1	1	1	1	8650444G4	Compression spring for movable contact
1	29	1	1	1	1	1	1	1	1	1	1	1	1	1	1	1	1	1	1	8650444G7	Blowout coil with support for stationary contact
1	29	1	1	1	1	1	1	1	1	1	1	1	1	1	1	1	1	1	1	8650444G6	Blowout coil with support for stationary contact
1	29	2	2	2	2	2	2	2	2	2	2	2	2	2	2	2	2	2	2	N26P23016B	Blowout coil with support for stationary contact
1	29	1	1	1	1	1	1	1	1	1	1	1	1	1	1	1	1	1	1	8617366P2	Screw fastening stationary contact support to base (5/16 in. -18, 1 in. hex. hd. slot, pro. fin.)
1	29	1	1	1	1	1	1	1	1	1	1	1	1	1	1	1	1	1	1	N22P29024B	Support for stationary contact
1	29	1	1	1	1	1	1	1	1	1	1	1	1	1	1	1	1	1	1	N22P29024B	Screw fastening stationary contact support to base (1/2 in. -13, 1 1/2 in. hex. hd., pro. fin.)

# IC2800-Y102 CONTACTORS

GEF-4122

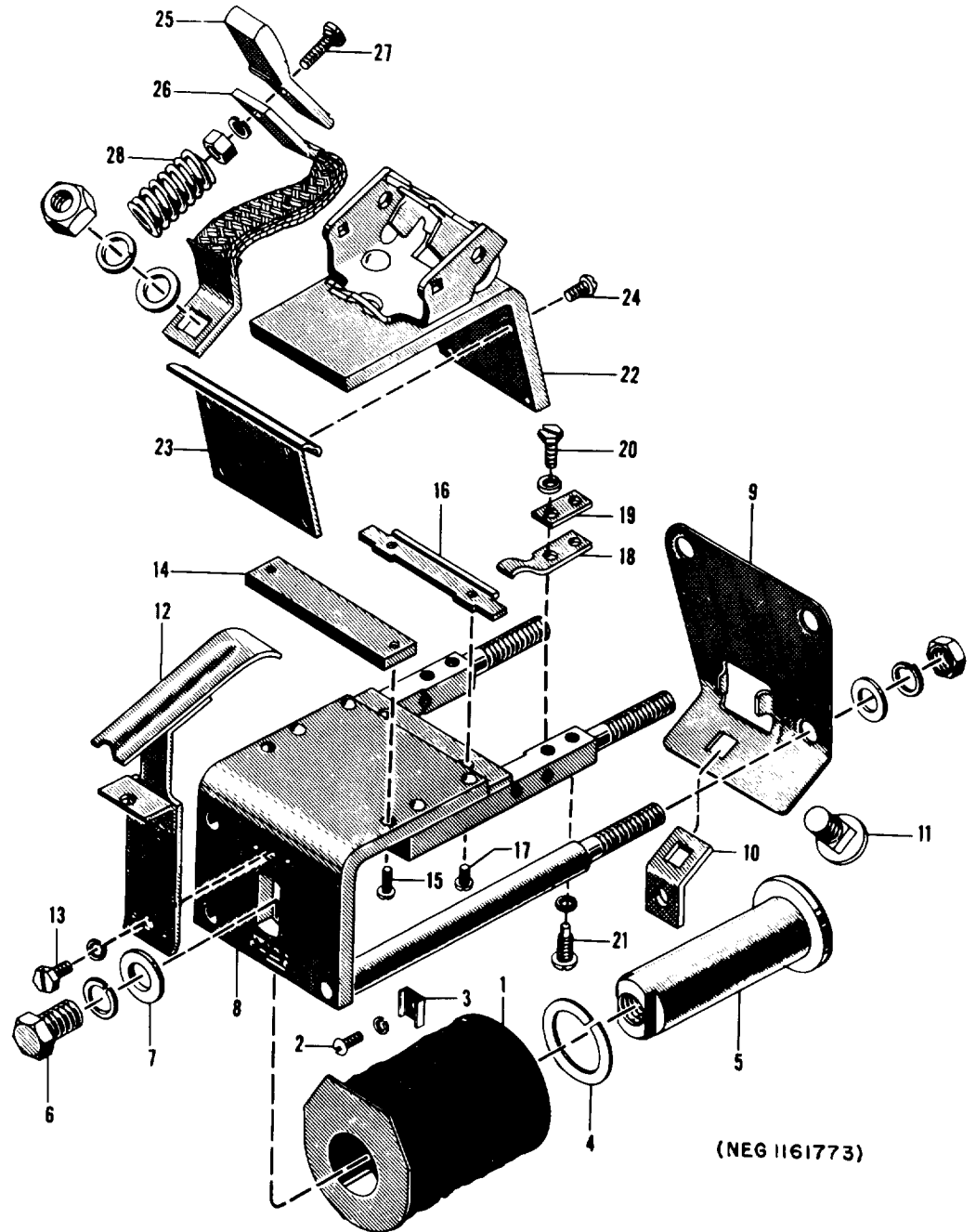


Fig. 1

IC2800-Y102 CONTACTORS

COMPLETE LIST OF PARTS (CONT'D)

Fig. No.	Ref. No.	Number Required for IC2800-Y102													Catalog Number	Description							
		A	B	D	E	F	R	X	Y	AA	AB	AC	AD	AE			AF	AG	AH	AJ	AK	AL	
2	30	1	1	1	1	1	1	1	1	1	1	1	1	1	1	1	1	1	1	1	1	8617333	Stationary contact
2	30	1	1	1	1	1	1	1	1	1	1	1	1	1	1	1	1	1	1	1	1	139B098G1	Stationary contact
2	31	1	1	1	1	1	1	1	1	1	1	1	1	1	1	1	1	1	1	1	1	N22P25012B	Screw fastening stationary contact to support (3/8 in. -16, 3/4 in. hex. hd. pro. fin.)
2	32	1	1	1	1	1	1	1	1	1	1	1	1	1	1	1	1	1	1	1	1	8617335	Magnet coil for blowout coil
2	33	1	1	1	1	1	1	1	1	1	1	1	1	1	1	1	1	1	1	1	1	9023364	Insulation sleeve for magnet core
2	34	2	2	2	2	2	2	2	2	2	2	2	2	2	2	2	2	2	2	2	2	284A955	Insulation washer for blowout coil
2	35	1	1	1	1	1	1	1	1	1	1	1	1	1	1	1	1	1	1	1	1	9034271G6	Pole piece with stud, right-hand
2	36	1	1	1	1	1	1	1	1	1	1	1	1	1	1	1	1	1	1	1	1	9034271G5	Pole piece with stud, left-hand
2	37	2	2	2	2	2	2	2	2	2	2	2	2	2	2	2	2	2	2	2	2	8617334	Spacer for pole piece
1	38	1	1	1	1	1	1	1	1	1	1	1	1	1	1	1	1	1	1	1	1	N26P23048B	Screw fastening pole pieces together (5/16-in. -18, 3 in. hex. hd. slot, pro. fin.)
2	39	1	1	1	1	1	1	1	1	1	1	1	1	1	1	1	1	1	1	1	1	8650326G2	Burning strip for blowout coil
1	40	2	2	2	2	2	2	2	2	2	2	2	2	2	2	2	2	2	2	2	2	N26P21010B	Screw fastening burning strip to blowout coil (1/4 in. -20, 5/8 in. hex. hd. slot, pro. fin.)
2	41	1	1	1	1	1	1	1	1	1	1	1	1	1	1	1	1	1	1	1	1	117A7149G3	Support for blowout coil lead
2	42	1	1	1	1	1	1	1	1	1	1	1	1	1	1	1	1	1	1	1	1	117A7318G1	Arc chute complete with support, screws, nuts and washers
2	43	1	1	1	1	1	1	1	1	1	1	1	1	1	1	1	1	1	1	1	1	9004333P1	Arc chute side, right-hand
2	44	1	1	1	1	1	1	1	1	1	1	1	1	1	1	1	1	1	1	1	1	9004334P1	Arc chute side, left-hand
2	45	1	1	1	1	1	1	1	1	1	1	1	1	1	1	1	1	1	1	1	1	N57P21028B	Screw fastening arc chute sides together (1/4 in. -20, 1 3/4 in. pan. hd., pro. fin.)
2	46	2	2	2	2	2	2	2	2	2	2	2	2	2	2	2	2	2	2	2	2	8650445P4	Support for arc chute
		1	1	1	1	1	1	1	1	1	1	1	1	1	1	1	1	1	1	1	1	N144P21012C	Screw with lockwasher fastening support to arc chute side
																						728B542P1	Base for contactor
																						119A5425P1	Base for contactor
																						728B542P3	Base for contactor
																						119A5425P2	Base for contactor
																						728B542P4	Base for contactor
																						119A5425P3	Base for contactor
																						728B542P6	Base for contactor
																						245A4020P1	Base for contactor
																						728B542P2	Insulation for back of base
																						728B542P5	Insulation for back of base
																						9034293G2	Contact tip