

RENEWAL PARTS



IC2800-Y103 CONTACTORS

Forms A, B, D, and E

NOTE:—When ordering parts for a form of the contactor not covered by this bulletin, give reference number, description of part, complete nameplate reading, and above bulletin (GEF) number. Do not use catalog number when form for which the parts are needed is not covered by the bulletin.

PARTS RECOMMENDED FOR NORMAL STOCK

Fig. No.	Ref. No.	Number Required for IC2800-Y103-				Catalog Number	Description
		A	B	D	E		
1	1	1 Δ	1 Δ	1 Δ	1 Δ	----- -----	Operating coil (see table below) Set of interlock contacts (see table page 2)
1	25	1	1	1	1	8690980	Movable contact
2	31	1	1	1	1	8617100	Stationary contact
1	29	1	1	1	1	2414864	Compression spring for movable contact
1	26	1	1	1	1	8690992G1	Shunt for movable contact
2	43	1	-	1	-	9004331P1	Arc chute side, right-hand
2	44	1	-	1	-	9004332P1	Arc chute side, left-hand

Δ If interlock is used, a quantity of one set is required for each interlock switch unit.

Fig. No. 1, Ref. No. 1 - OPERATING COILS - 1 Required

NOTE:- The operating coil is identified by the number following the form letter in the IC designation.

EXAMPLE:- IC2800-Y103-A-2-B requires operating coil number 2, Cat. No. 22D136G2.

Coil No.	Catalog Number	Coil No.	Catalog Number	Coil No.	Catalog Number	Coil No.	Catalog Number
2	22D136G2	8	22D136G8	14	22D76G9	19	22D136G2
3	22D136G3	9	22D136G9	15	22D136G14	20	22D136G18
4	22D136G4	10	22D136G10	16	22D136G15	21	22D136G19
5	22D136G5	11	22D136G12	17	22D136G16	22	22D136G2
6	22D136G6	12	22D136G13	18	22D136G17	23	22D136G20
7	22D136G7	13	22D136G11				

When ordering renewal parts, give quantity, catalog number, description of each item required, and complete nameplate reading.

GENERAL  ELECTRIC

IC2800-Y103 CONTACTORS

ELECTRICAL INTERLOCKS

NOTE:- The interlock is identified by the letter following the coil number in the IC designation.

EXAMPLE:- IC2800-Y103-A-2-B requires interlock letter B, Cat. No. 723B253B.

Interlock Letter	Interlock with Mounting Parts		Interlock Switch Unit	§Set of Interlock Contacts
	Right-hand	Left-hand		
	Cat. No.	Cat. No.	Cat. No.	Cat. No.
B	----	723B253B	IC2956A200C	6960053G3
C	----	723B253C	IC2956A200A	6960053G3
D	----	723B253D	IC2956A200B	6960053G3
E	723B253E	----	IC2956A200C	6960053G3
F	723B253F	----	IC2956A200A	6960053G3
G	723B253G	----	IC2956A200B	6960053G3
H	*723B253H		{IC2956A200A ‡IC2956A200A	6960053G3 6960053G3
J	*723B253J		{IC2956A200B ‡IC2956A200B	6960053G3 6960053G3
K	*723B253K		{IC2956A200C ‡IC2956A200C	6960053G3 6960053G3
L	*723B253L		{IC2956A200A ‡IC2956A200C	6960053G3 6960053G3
M	*723B253M		{IC2956A200B ‡IC2956A200C	6960053G3 6960053G3

§ Includes movable and stationary contacts with springs and contact-holding screws.

* Includes one right-hand and one left-hand interlock.

‡ Switch unit for right-hand interlock.

‡ Switch unit for left-hand interlock.

COMPLETE LIST OF PARTS

Fig. No.	Ref. No.	Number Required for IC2800-Y103-				Catalog Number	Description
		A	B	D	E		
1	2	2	2	2	2	N57P16008B	Connection screw for coil lead (10-32, 1/2 in. pan hd., pro. fin.)
		2	2	2	2	8617031	Washer for connection screw
1	3	2	2	2	2	8617022	Terminal clamp for coil lead
1	4	1	1	1	1	8626009P10	Retaining washer for operating coil
1	5	1	1	1	1	5304780G4	Magnet core for operating coil
1	6	1	1	1	1	N22P35024B	Screw fastening magnet core to magnet frame (3/4 in. -10, 1 1/2 in. hex. hd., pro. fin.)
1	7	1	1	1	1	N402P48B	Washer for screw, Cat. No. N22P35024B
1	8	1	1	1	1	8650022G2	Magnet frame for operating coil
1	9	1	1	1	1	5302364P1	Connection plate for magnet frame
1	10	1	1	1	1	117A7300P4	Terminal for connection plate
1	11	1	1	1	1	N62P33024B	Carriage bolt fastening shunt and terminal to connection plate
1	12	1	-	1	-	8690978G1	Arcing horn
1	13	1	-	1	-	N22P25012B	Screw fastening arcing horn to magnet frame (3/8 in. -16, 3/4 in. hex. hd., pro. fin.)
1	14	1	1	1	1	8067092P4	Stop plate for armature
1	15	2	2	2	2	N144P16014C	Screw with lock washer fastening stop plate to magnet frame
1	16	1	1	1	1	8650024P1	Fulcrum plate for armature, stationary
1	17	2	2	2	2	N144P21012C	Screw with lock washer fastening stationary fulcrum plate to magnet frame
1	18	2	2	2	2	8690203P1	Fulcrum retainer for movable fulcrum plate
1	19	2	2	2	2	8616461	Clamping strip for fulcrum retainer

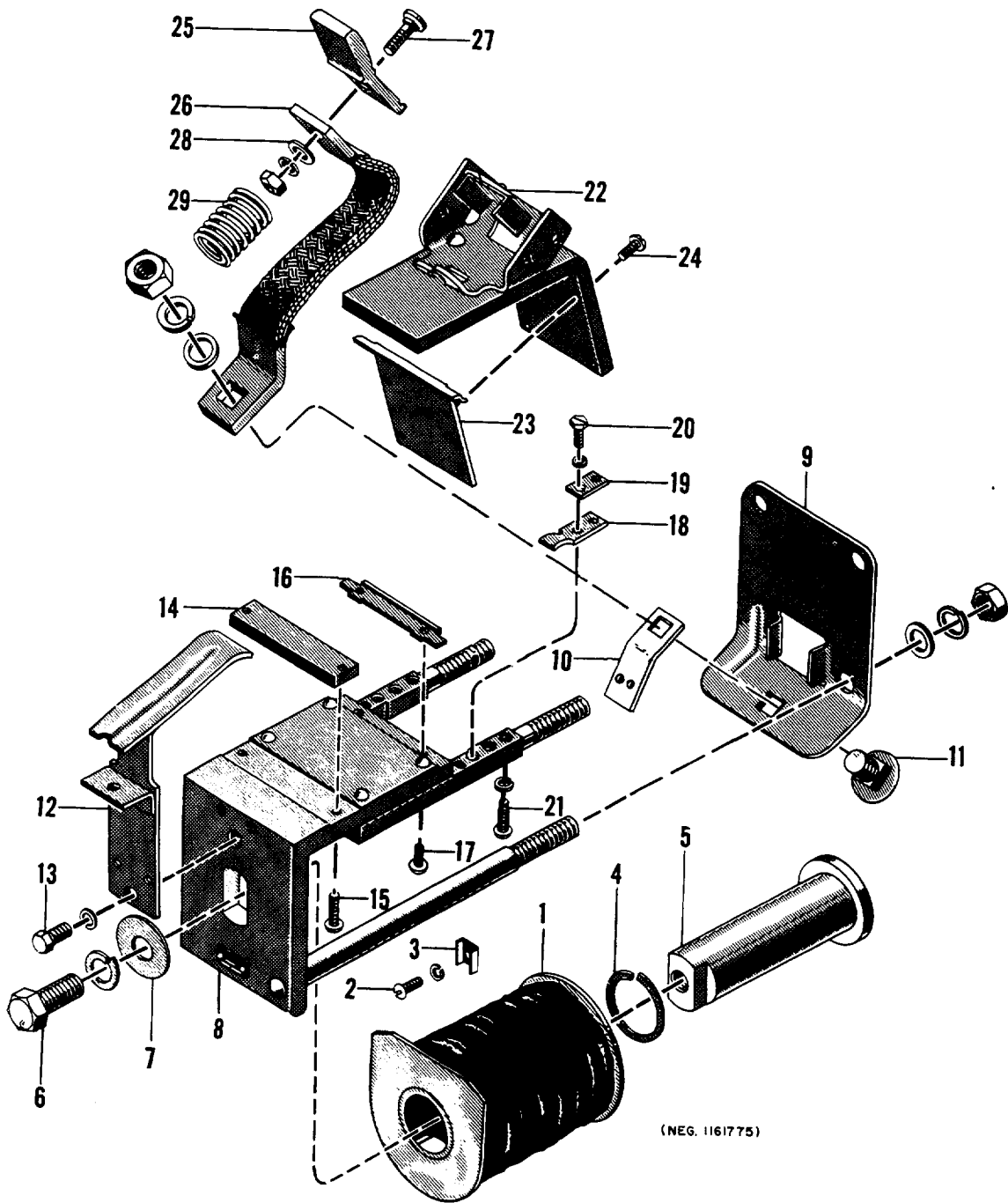


Fig. 1

IC2800-Y103 CONTACTORS

Fig. No.	Ref. No.	Number Required for IC2800-Y103-				Catalog Number	Description
		A	B	D	E		
1	20	2	2	2	2	N26P21010B	Screw fastening fulcrum retainer and clamping strip to magnet frame (1/4 in. -20, 5/8 in. hex. hd. slot, pro. fin.)
1	21	2	2	2	2	8616460	Dowel screw for fulcrum retainer and clamping strip
1	22	1	1	1	1	8087245G2	Armature with support for movable contact
1	23	1	1	1	1	8650025P2	Fulcrum plate for armature, movable
1	24	4	4	4	4	N144P21012C	Screw with lock washer fastening movable fulcrum plate to armature
1	25	1	1	1	1	8690980	Movable contact
1	26	1	1	1	1	8690992G1	Shunt for movable contact
1	27	1	1	1	1	8617099	Screw fastening shunt to movable contact
1	28	1	1	1	1	8617095	Washer for screw Cat. No. 8617099
1	29	1	1	1	1	2414864	Compression spring for movable contact
2	30	1	-	1	-	8650328G6	Blowout coil with support for stationary contact
		2	-	2	-	N26P23016B	Screw fastening stationary contact support to base (5/16 in. -18, 1 in. hex. hd. slot, pro. fin.)
		-	1	-	1	119A5428P1	Support for stationary contact
		-	1	-	1	N22P29024B	Screw fastening stationary contact support to base (1/2 in. -13, 1 1/2 in. hex. hd., pro. fin.)
2	31	1	1	1	1	8617100	Stationary contact
2	32	1	-	1	-	N22P29016B	Screw fastening stationary contact to support (1/2 in. -13, 1 in. hex. hd., pro. fin.)
2	32	-	1	-	1	N22P29032B	Screw fastening stationary contact to support (1/2 in. -13, 2 in. hex. hd., pro. fin.)
2	33	1	-	1	-	8617098	Magnet core for blowout coil
2	34	1	-	1	-	9023363	Insulation sleeve for magnet core
2	35	2	-	2	-	287A103P3	Insulation washer for blowout coil
2	36	1	-	1	-	8690979G6	Pole piece with stud, right-hand
2	37	1	-	1	-	8690979G5	Pole piece with stud, left-hand
2	38	2	-	2	-	8617097	Spacer for pole piece
2	39	1	-	1	-	N22P25068B	Screw fastening pole pieces together (3/8 in. -16, 4 1/4 in. hex. hd., pro. fin.)
2	40	1	-	1	-	8650326G1	Burning strip for blowout coil
2	41	2	-	2	-	N26P21010B	Screw fastening burning strip to blowout coil (1/4 in. -20, 5/8 in. hex. hd. slot, pro. fin.)
2	42	1	-	1	-	117A7149G4	Support for blowout coil lead
		1	-	1	-	117A7313G2	Arc chute, complete, with support, screws, nuts and washers
2	43	1	-	1	-	9004331P1	Arc chute side, right-hand
2	44	1	-	1	-	9004332P1	Arc chute side, left-hand
2	45	1	-	1	-	N57P21044B	Screw fastening arc chute sides together (1/4 in. -20, 2 3/4 in. pan hd., pro. fin.)
2	46	1	-	1	-	8650329P4	Support for arc chute sides
2	47	2	-	2	-	N144P21012C	Screw with lock washer fastening clamp to arc chute side
		1	-	-	-	728B545P1	Base for contactor
		-	1	-	-	119A5426P1	Base for contactor
		-	-	1	-	728B545P3	Base for contactor
		-	-	-	1	119A5426P2	Base for contactor
		1	1	1	1	728B545P2	Insulation for back of base

NUTS

Catalog Number	Description
N203P21B	1/4 in. -20, hex. std.
N203P25B	3/8 in. -16, hex. std.
N203P33B	5/8 in. -11, hex. std.

LOCK WASHERS

Catalog Number	Description
N405P41B	For 1/4 in. screw
N405P42B	For 5/16 in. screw
N405P43B	For 3/8 in. screw
N405P45B	For 1/2 in. screw
N405P47B	For 5/8 in. screw
N405P48B	For 3/4 in. screw

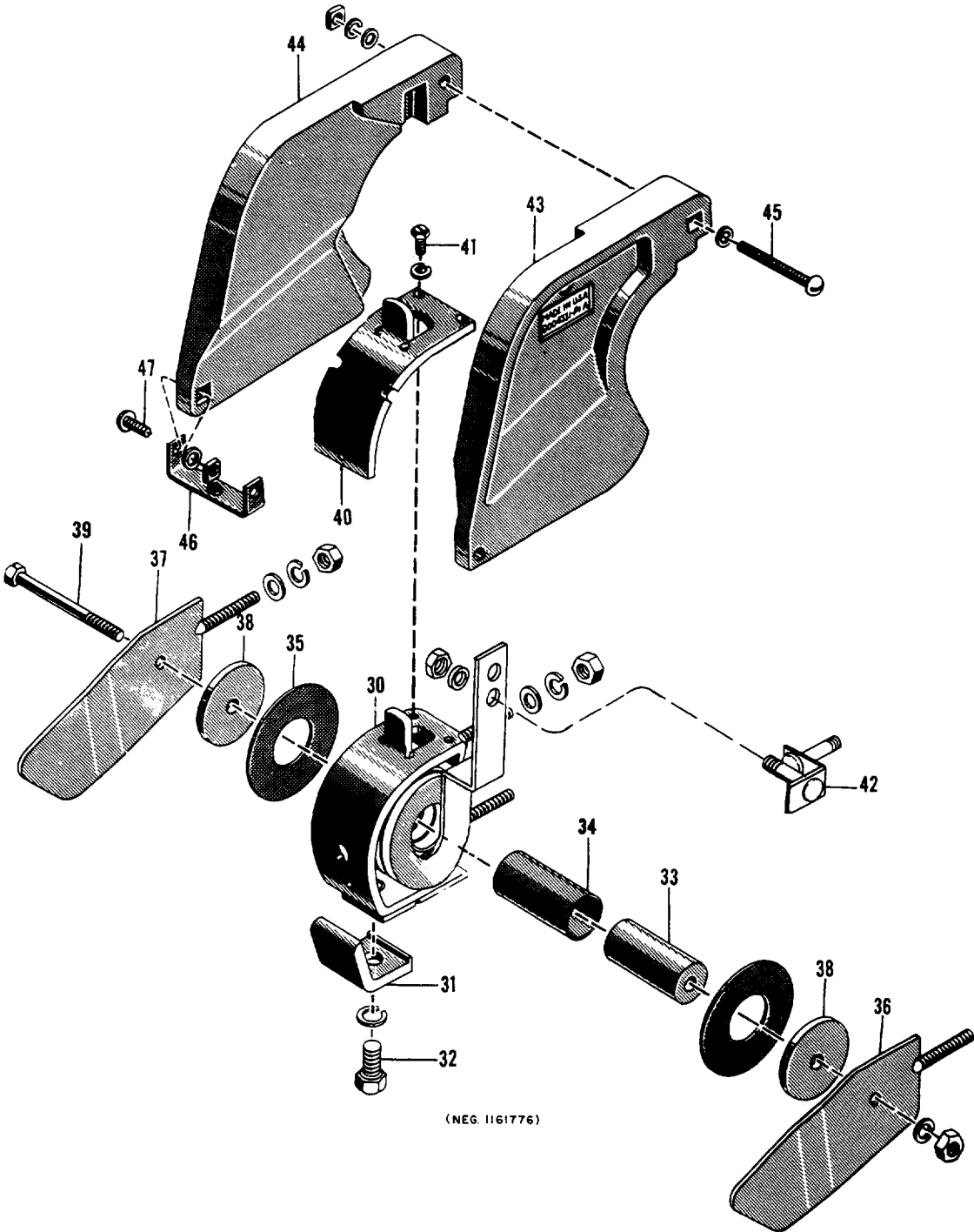


Fig. 2

IC2800-Y103 CONTACTORS

INDEX OF CATALOG NUMBERS

Catalog identifications in this index are arranged in order, reading from left to right, first alphabetically according to the prefix letter or letters, if used, and second numerically.

In this index all numbers with a letter prefix will precede those without prefixes.

The number of letters or digits does not affect placement in the table, thus A1999999 will precede A2, and ZZ9999999 will precede Cat. No. 1 (number without a prefix). Letters take precedence over numbers so that Cat. No. 26F1 will precede Cat. No. 261.

Cat. No.	Page	Cat. No.	Page	Cat. No.	Page	Cat. No.	Page
IC2956A200A----	2	N62P33024B----	2	22D136G9-----	1	8617022-----	2
IC2956A200B----	2	117A7149G4----	4	22D76G9-----	1	8617031-----	2
IC2956A200C----	2	117A7300P4----	2	2414864-----	1, 4	8617095-----	4
N144P16014C----	2	117A7313G2----	4	287A103P3-----	4	8617097-----	4
N144P21012C----	2, 4	119A5426P1----	4	5302364P1-----	2	8617098-----	4
N203P21B-----	4	119A5426P2----	4	5304780G4-----	2	8617099-----	4
N203P25B-----	4	119A5428P1----	4	6960053G3-----	2	8617100-----	1
N203P33B-----	4	22D136G10-----	1	723B253B-----	2	8617100-----	4
N22P25012B----	2	22D136G11-----	1	723B253C-----	2	8626009P10----	2
N22P25068B----	4	22D136G12-----	1	723B253D-----	2	8650022G2-----	2
N22P29016B----	4	22D136G13-----	1	723B253E-----	2	8650024P1-----	2
N22P29024B----	4	22D136G14-----	1	723B253F-----	2	8650025P2-----	4
N22P29032B----	4	22D136G15-----	1	723B253G-----	2	8650326G1-----	4
N22P35024B----	2	22D136G16-----	1	723B253H-----	2	8650328G6-----	4
N26P21010B----	4	22D136G17-----	1	723B253J-----	2	8650329P4-----	4
N26P23016B----	4	22D136G18-----	1	723B253K-----	2	8690203P1-----	2
N402P48B-----	2	22D136G19-----	1	723B253L-----	2	8690978G1-----	2
N405P41B-----	4	22D136G2-----	1	723B253M-----	2	8690979G5-----	4
N405P42B-----	4	22D136G20-----	1	728B545P1-----	4	8690979G6-----	4
N405P43B-----	4	22D136G3-----	1	728B545P2-----	4	8690980-----	1, 4
N405P45B-----	4	22D136G4-----	1	728B545P3-----	4	8690992G1-----	1, 4
N405P47B-----	4	22D136G5-----	1	8067092P4-----	2	9004331P1-----	1, 4
N405P48B-----	4	22D136G6-----	1	8087245G2-----	4	9004332P1-----	1, 4
N57P16008B----	2	22D136G7-----	1	8616460-----	4	9023363-----	4
N57P21044B----	4	22D136G8-----	1	8616461-----	2		

GENERAL ELECTRIC APPARATUS SALES OFFICES

READY TO ASSIST YOU . . . When You Have Electrical Problems . . . Need Further Information . . . Require Ordering Instructions

Abilene, Texas	442 Cedar St.	Fergus Falls, Minn.	P.O. Box 197	New York 22, N. Y.	570 Lexington Ave.
Akron 13, Ohio	P.O. Box 5278	Flint 2, Mich.	Rm. 4, Norby Bldg.	Niagara Falls, N. Y.	P.O. Box 715, 44 Falls St.
	665 West Market St.	Fort Wayne 6, Ind.	653 S. Saginaw St.	Oakland 12, Calif.	409 Thirteenth St.
Albany 3, N. Y.	8 Colvin Ave.	Fort Worth 2, Tex.	3606 So. Calhoun St.	Oak Ridge, Tenn.	253 Main St., E.
Albuquerque, N. Mex.	323 Third St., S.W.	Fresno 1, Calif.	408 W. Seventh St.	Oklahoma City 2, Okla.	119 N. Robinson St.
Alexandria, La.	720 Murray St.		407 Patterson Bldg.	Omaha 2, Nebr.	409 S. Seventeenth St.
Allentown, Pa.	732 North 16th St.		Tulare and Fulton St.	Orlando, Fla.	104 E. Gore Ave.
Amarillo, Texas	Amarillo Bldg., 303 Polk St.	Grand Rapids 2, Mich.	425 Cherry St., S.E.	Pasco, Wash.	P.O. Box 971, 824 W. Lewis St.
Appleton, Wisc.	510 W. College Ave.	Greensboro, N. C.	P.O. Box 1162	Peoria, Ill.	2008 N.E. Perry Ave.
Atlanta 2, Ga.	1860 Peachtree Rd., N.W.	Greenville, S. C.	301 S. Elm St.	Philadelphia 2, Pa.	3 Penn Center Plaza
Augusta, Maine	152 State St.		P.O. Box 1408	Phoenix, Ariz.	P.O. Box 4037, 220 Luhrs Tower
Baltimore 1, Md.	111 Park Ave.	Gulfport, Miss.	108 W. Washington St.	Pittsburgh 22, Pa.	The Oliver Bldg., Mellon Sq.
Bangor, Maine	P.O. Box 778, 77 Central St.	Hagerstown, Md.	207 Jo-Fran Bldg.	Portland 7, Ore.	P.O. Box 909
Baton Rouge 6, La.	3170 Florida Blvd.		P.O. Box 477		2929 N.W. 29th Ave.
Battle Creek, Mich.	607 Security Nat'l Bank Bldg.	Hartford 5, Conn.	1095 Jefferson Blvd.	Providence 3, R. I.	Industrial Nat'l Bank Bldg.
Beaumont, Texas	P.O. Box 2870	Houston 27, Texas	764 Asylum Ave.	Raleigh, N. C.	P.O. Box 2507, 16 W. Martin St.
	1385 Calder Ave.		P.O. Box 22045	Reading, Pa.	31 N. Sixth St.
Billings, Mont.	Rm. 816, 303 No. Broadway	Indianapolis 8, Ind.	4219 Richmond Ave.	Richmond 17, Va.	P.O. Box 2188
Binghamton, N. Y.	P.O. Box 391	Jackson, Mich.	3750 N. Meridian St.		700 E. Franklin St.
	19 Chenango St.	Jackson 1, Miss.	120 W. Michigan Ave.	Roanoke 5, Va.	P.O. Box 871
Birmingham 2, Ala.	P.O. Box 2602	Jacksonville 6, Fla.	203 W. Capitol St.		920 S. Jefferson St.
	1804 Seventh Ave., N.	Johnstown, Pa.	Station G—Box 48	Rochester 4, N. Y.	89 E. Ave.
Bismarck, N. Dak.	418 Rosser Ave.		1901 Hill St.	Rockford, Ill.	4223 East State St.
Bluefield, W. Va.	P.O. Box 980	Joplin, Mo.	841 Oak St.	Rutland, Vt.	38½ Center St.
	704 Bland St., Appalachian Bldg.	Kalamazoo, Mich.	P.O. Box 948	Sacramento 14, Calif.	626 Forum Bldg.
Boise, Idaho	1524 Idaho St.		220½ W. Fourth St.	Saginaw, Mich.	Second National Bank Bldg.
Boston 1, Mass.	140 Federal St.	Kansas City 5, Mo.	P.O. Box 2004	St. Louis 1, Mo.	818 Olive St.
Buffalo 2, N. Y.	625 Delaware Ave.		927 South Burdick St.	Salt Lake City 10, Utah	P.O. Box 779
Butte, Mont.	P.O. Box 836, 103 N. Wyoming St.	Kingsport, Tenn.	106 W. Fourteenth St.		200 S. Main St.
Canton 4, Ohio	1226 Market Ave., N.	Knoxville 16, Tenn.	536, 322 Commerce St.	San Antonio 5, Texas	434 So. Main Ave.
Cedar Rapids, Iowa	210 Second St., S.E.	Lake Charles, La.	1301 Hannah Ave., N.W.	San Bernardino-Rialto, Calif.	P.O. Box 127
Charleston 28, W. Va.	P.O. Box 2313		P.O. Box 5212		337 N. Riverside Ave.
	306 MacCorkle Ave., S.E.	Lansing 8, Mich.	422 Seventh St.	San Diego 1, Calif.	P.O. Box 1222
Charlotte 1, N. C.	P.O. Box 1285	Las Vegas, Nev.	814 Michigan National Tower		1240 Seventh Ave.
	112 S. Tryon St.	Lexington, Ky.	Postal Annex Box 4156	San Francisco 6, Calif.	235 Montgomery St.
Chattanooga 2, Tenn.	832 Georgia Ave.	Little Rock, Ark.	628 E. Main St.	Savannah, Ga.	40 East Bay St.
Chicago 80, Ill.	840 S. Canal St.	Los Angeles 54, Calif.	103 W. Capitol Ave.	Seattle 11, Wash.	P.O. Box 1207
Cincinnati 6, Ohio	2621 Victory Pkwy.	Los Angeles 5, Calif.	212 N. Vignes St.		710 Second Ave.
Cleveland 4, Ohio	4966 Woodland Ave.		Mar. & Def	Seattle 4, Wash., Mar. & Def.,	550 W. Idaho St.
Columbia, S. C.	P.O. Box 1434, 1310 Lady St.	Louisville 2, Ky.	3325 Wilshire Blvd.	Shreveport, La.	206 Beck Bldg.
Columbus 15, Ohio	395 East Broad St.	Lubbock, Texas	1216 Starks Bldg.	South Bend 1, Ind.	610 N. Michigan St.
Corpus Christi, Texas	205 N. Chaparral		P.O. Box 1464	Spokane 4, Wash.	S. 162 Post St.
Dallas 22, Texas	P.O. Box 5821	Macon, Ga.	3302 Avenue "A"	Springfield, Ill.	607 E. Adams St.
	8101 Stemmons Freeway	Manchester, N. H.	P.O. Box 1506, 682 Cherry St.	Springfield 5, Mass.	120 Maple St.
Davenport—Bettendorf, Iowa	P.O. Box 26	Medford, Ore.	1662 Elm St.	Stockton, Calif.	2525 Pacific Ave.
	1039 State St.	Memphis 4, Tenn.	P.O. Box 8367	Syracuse 1, N. Y.	P.O. Box 1021, 3532 James St.
Dayton 2, Ohio	11 W. Monument Bldg.		19 South Cleveland	Tampa 1, Fla.	P.O. Box 2409, 1206 North A St.
Denver 1, Colo.	P.O. Box 2331	Miami 32, Fla.	25 S.E. Second Ave.	Toledo 4, Ohio	420 Madison Ave.
	201 University Blvd.	Midwest City, Okla.	P.O. Box 5867	Trenton 8, N. J.	214 E. Hanover St.
Des Moines 12, Iowa	2116 W. Grand Ave.		Mar. & Def., 207 Post Office Bldg.	Tucson, Ariz.	P.O. Box 710, 650 N. Sixth Ave.
Detroit 2, Mich.	700 Antoinette St.	Milwaukee 3, Wisc.	940 W. St. Paul Ave.	Tulsa 3, Okla.	320 S. Boston Ave.
Duluth 2, Minn.	14 W. Superior St.	Minneapolis 3, Minn.	12 S. Sixth St.	Utica 2, N. Y.	258 Genesee St.
Elmira, N. Y.	Main & Woodlawn Aves.	Mobile, Ala.	704 Government St.	Washington 5, D. C.	777—14th St., N.W.
El Paso, Texas	215 No. Stanton	Nashville 3, Tenn.	1717 W. End Building	Wheeling, W. Va.	40 Fourteenth St.
Erie 2, Pa.	1001 State St.	Newark 2, N. J.	520 Broad St.	Wichita 2, Kan.	200 E. First St.
Eugene, Ore.	P.O. Box 352, 1170 Pearl St.	New Haven 6, Conn.	129 Church St.	Worcester 5, Mass.	288 Grove St.
Evansville 5, Ind.	P.O. Box 157	New Orleans 12, La.	837 Gravier St.	York, Pa.	56 N. Harrison St.
Fairmont, W. Va.	P.O. Box 1626	Newport News, Va.	P.O. Box 1038	Youngstown 7, Ohio	272 E. Indianola Ave.
	310 Jacobs Bldg.		311 Main St., Warwick, Va.		

Hawaii: American Factors, Ltd., P.O. Box 3230, Honolulu 1

Canada: Canadian General Electric Company, Ltd., Toronto

GENERAL ELECTRIC SERVICE SHOPS

WHEN YOU NEED SERVICE . . . These G-E service shops will repair, recondition, and rebuild your electric apparatus. The facilities are available day and night, seven days a week, for work in the shops or on your premises. Latest factory methods and genuine G-E renewal

parts are used to maintain peak performance of your equipment. For full information about these services, contact your nearest service shop or sales office.

* Denotes Aircraft Service Shops

Albany, N. Y.	1097 Central Ave.	Dallas, Texas	3202 Manor Way	Oakland, Calif.	3400 Wood St.
Allentown, Pa.	668 E. Highland St.	Davenport, Iowa	P.O. Box 630	*Ontario, Calif.	Ont. Int'l Airport
Appleton, Wisc.	Midway Industrial Area,		1039 State St.	Philadelphia 24, Pa.	1040 E. Erie Ave.
	County Trunk (P), P.O. Box 83	Denver, Colo.	3353 Larimer St.	Pittsburgh 6, Pa.	6519 Penn Ave.
Atlanta—Chamblee, Ga.	5035 Peachtree	Detroit 2, Mich.	5950 Third Ave.	Plantsville, Conn.	370 Atwater St.
	Indus. Blvd.	Ft. Wayne, Ind.	606 W. Superior St.	Portland 10, Ore.	2727 N.W. 29th Ave.
*Arkansas City, Kan.	P.O. Box 526	Hialeah, Fla.	1062 E. 28th St.	Richmond 24, Va.	1403 Ingram Ave.
Baltimore 30, Md.	920 E. Fort Ave.	Houston 20, Texas	5534 Harvey Wilson Dr.	Roanoke 7, Va.	115 Albermarle Ave., S.E.
Birmingham, Ala.	7—18th St., S.W.	Indianapolis 22, Ind.	1740 W. Vermont St.	Sacramento, Calif.	99 N. 17th St.
Boston—Medford 55, Mass.	3960 Mystic	Johnstown, Pa.	841 Oak St.	St. Louis 10, Mo.	1115 East Rd.
	Valley Pkwy.	Kansas City 20, Mo.	3525 Gardner Ave.	Salt Lake City 4, Utah	301 S. Seventh W. St.
Buffalo 11, N. Y.	318 Urban St.	Los Angeles 1, Calif.	6900 Stanford Ave.	San Francisco 3, Calif.	1098 Harrison St.
Charleston 28, W. Va.	306 MacCorkle Ave., S.E.	Louisville 9, Ky.	3900 Crittenden Dr.	Seattle 4, Wash.	3422 First Ave., S.
Charlotte 8, N. C.	2328 Thrift Rd.	Midland, Texas	3404 Bankhead Hwy.	*Seattle 8, Wash.	220 Dawson St.
Chicago 32, Ill.	4360 W. 47th St.	Milwaukee 3, Wisc.	940 W. St. Paul Ave.	Spokane 3, Wash.	S. 155 Sherman St.
Cincinnati 2, Ohio	444 W. Third St.	Minneapolis 12, Minn.	2025 49th Ave., N.	Tampa 1, Fla.	P.O. Box 1245
*Cincinnati 3, Ohio	260 W. Mitchell Ave.	New Orleans, La.	2815 N. Robertson St.	Toledo 4, Ohio	405 Dearborn Ave.
Cleveland 4, Ohio	4966 Woodland Ave.	New York—N. Bergen, N. J.	6001 Tonnelle Ave.	York, Pa.	54 N. Harrison St.
Columbus 23, Ohio	2128 Eakin Rd.	*New York—Linden, N. J.	1611 W. Elizabeth Ave.	Youngstown 7, Ohio	272 E. Indianola Ave.
Corpus Christi, Texas	115 Busse St.				

INDUSTRY CONTROL DEPARTMENT, GENERAL ELECTRIC COMPANY, SALEM, VA.